

| | |
|-----------------|---|
| NUMBER | SIL1905 |
| TO | T-Series Dealer and Customer Network |
| SUBJECT | Annunciator Switch Wiring |
| REVISION | Rev A |
| DATE | 8/22/19 |

AFFECTED ASTRONICS AEROSAT PRODUCT

| | |
|-----------------------------|----------------------------------|
| DESCRIPTION | T-310 Installation Manual |
| PART NUMBER | 000-2129-1004 Rev B |
| PART NUMBER REVISION | Rev B |

1.0 COMPLIANCE - RECOMMENDED

This Service Information Letter (SIL) is to be used as reference during future installs to clarify the annunciator switch wiring.

2.0 BACKGROUND

During installations it has been discovered clarification to the pinout of the annunciator depicted in Figures E-13 and E-16 of the 000-2129-1004-IM is required.

3.0 PURPOSE

This SIL is to provide insight as to the correct wiring configuration on all installs moving forward. This SIL pertains to Figure E-13 and E-16. Below are the discrepancies highlighted.

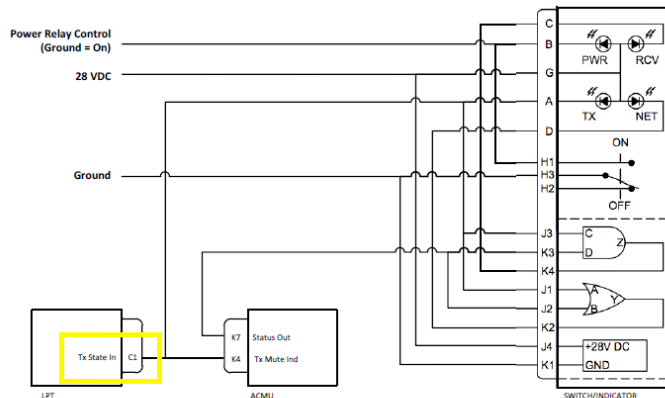


Figure E-16: Operator Control/Indicator Switch Wiring Diagram (VVISUN LR3-EM-14-04-E1XR2)

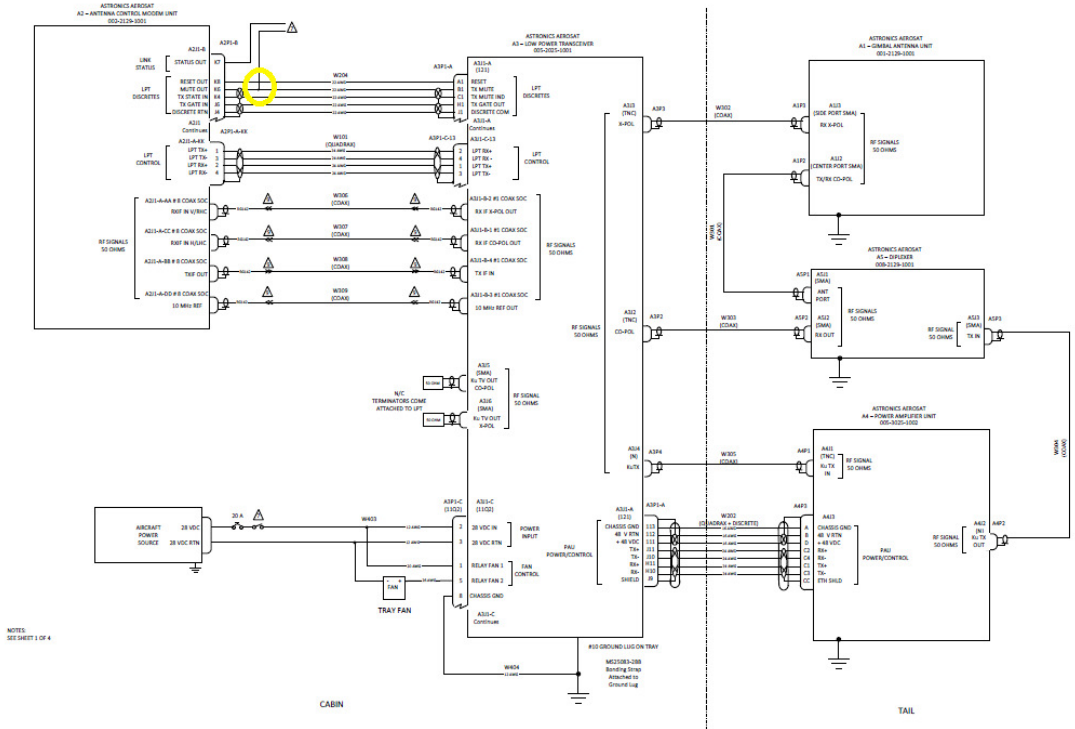


Figure E-13: System Wiring Diagram, Sheet 2 of 4 (FOR REFERENCE ONLY)
(The above is a diagram for the T-210, also applicable to the T-310)

4.0 SCOPE

This Service Information Letter pertains to all T-310 series installations.

5.0 APPROVAL

Astronics AeroSat Field Service Engineering approves this Service Information letter.

6.0 RECOMMENDED ACTION

See below illustrations for required changes to figures E-13 and E-16

- E-13 changes C1 label to "Tx State Ind"

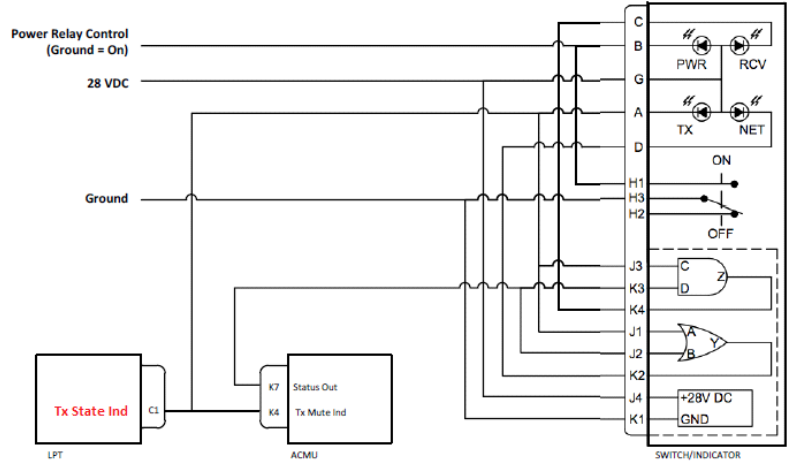


Figure E-16: Operator Control Indicator Switch Wiring Diagram (VIVISUN LR3-EM-14-DA-E1XR2)

- E-16 changes flag note 7 from K6 signal to K4 signal.

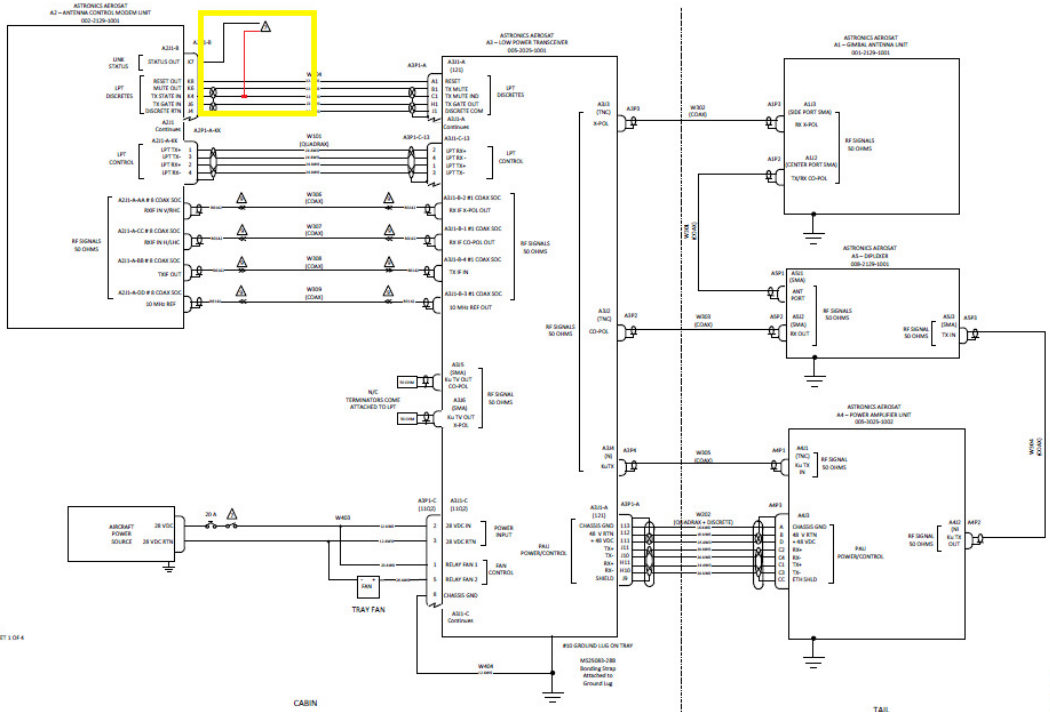


Figure E-13: System Wiring Diagram, Sheet 2 of 4 (FOR REFERENCE ONLY)
(The above is a diagram for the T-210, also applicable to the T-310)



CONTACT INFORMATION

For questions regarding this Service Information Letter, please contact Astronics AeroSat Product Support.

Astronics AeroSat
Product Support
220 Hackett Hill Road Manchester, NH 03102
Email: AeroSat.Support@astronics.com
Phone: 1-603-400-2528