



AeroShield®

Low Drag Radome System for Fuselage Mount Connectivity Systems

Cost Savings

- Highly optimized aerodynamic shape reduces drag and increases fuel savings.
- Bird Strike compliance with FAA & EASA for Large Radome Installations reduces certification time and cost.
- ARINC 791 style installation eliminates costly over-engineered installations.
- Simplifies maintenance inspections and reduces life cycle costs.
- Advanced adapter plate design minimizes system weight.

ARINC 791 Standard

- Creates a simplified & standardized installation.
- Provides future-proofing of SATCOM installations, simplifying future SATCOM upgrades when

available.

- Provides for commonality & interchangeability across entire fleets.
- Provides for easy de-modification during end-of-lease restoration.

Key Features

- RF performance is optimized for Ku-band, providing maximum RF transmissivity.
- Applicable to Ku-band broadband data and DBS-TV SATCOM connectivity systems.
- Aerodynamic radome and adapter plate follows the curvature of the aircraft skin without requiring large installation doublers, sealants, or fasteners through the aircraft skin.
- Installation fittings attach to variable aircraft frame spacings for maximum installation flexibility.
- Radome is compliant with EASA & FAA guidance on Radome bird

strike testing.

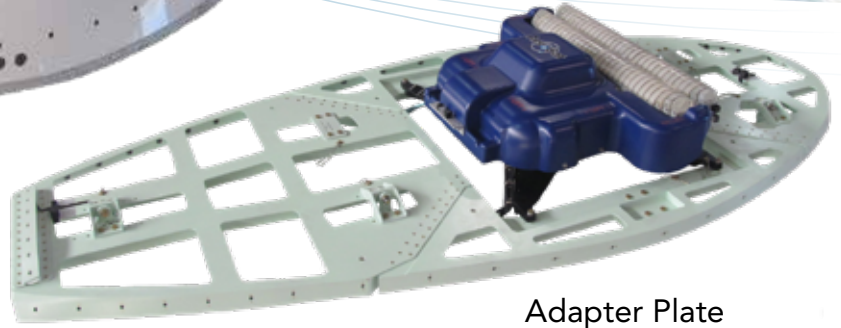
- DER approved load reports are available to support STC programs.

KEY BENEFITS

- Retrofittable to replace current high drag radomes in use today.
- Compliant with existing FAA & EASA bird strike certification requirements.
- Reduces drag, providing fuel burn savings.
- Simplifies complexity of connectivity antenna mounting and maintenance.



Radome



Adapter Plate

LRUs

The AeroShield Radome kit is composed of 2 aircraft components:

1. Adapter Plate plus fittings.
2. Radome.

Applicable Aircraft

- Designed specifically for any Air Transport Category aircraft that utilizes fuselage mounted SATCOM connectivity antennas.
- Applicable aircraft types include:

Airbus ACJ, A319, 320, 321
 Airbus A330, 340, 380
 Boeing BBJ, 737
 Boeing 747, 767, 777
 Embraer -195/190/175/170
 Bombardier C-Series
 Irkut MC-21
 Sukhoi Superjet
 Mitsubishi MRJ
 COMAC C-919
 Others

Get Started Today

For additional details, please contact Astronics AeroSat.

60A Route 101A
 Amherst, NH 03031

+1.603.879.0205



AeroSat.Info@Astronics.com
www.aerosat.com

Certification

- Complies with applicable FAA FAR Part 25/26 & EASA CS-25 regulations.
- Complies with 14 CFR paragraph 25.571(e)(1) & CS 25.571 bird-strike testing requirements.
- Complies with lightning strike and grounding guidelines stated in SAE ARP5412, ARP5414, ARP5416, and ARP1870.
- Designed-in robustness for aircraft environmental stresses, such as shock, vibration, and g-loads.

Availability

- Available today for use in your connectivity STC programs!

AEROSHIELD SPECIFICATIONS

Typical Performance

Weight:

- Radome:
 <56lbs (<25.4Kg).
- Adapter Plate:
 <30lbs (<13.6Kg).

Dimensions:

- Radome:
 15.4"H x 96.1"L x 40.6"W
 39.1cm x 244.1cm x 103.1cm
- Adapter Plate:
 3.2"H x 86.2"L x 39.4"W
 8.1cm x 218.9cm x 100.1cm