

COREPOWER®

1424

400 Amp Starter Generator Unit (SGU)

The COREPOWER® Induction Starter Generator System revolutionizes aircraft power utilization on the ground. The Starter Generator Unit coupled with the Power Conversion Unit provides 250A of available power at sub-idle engine speeds and full rated power at engine idle, mimicking the benefits of an Auxiliary Power Unit, while providing 400A of power for starting and normal operations.



Features

- Full rated power from 6,200 rpm to 12,000 rpm
- Provides reduced power output from 4,700 to 6,200 rpm
- 16,000 hours MTBF
 - 5,000-hour scheduled maintenance interval
- Brushless design reduces total lifecycle cost
- Reduces engine gearbox stress
- Reduces battery stress
- Motoring start capability; including ability to initiate engine starts at accessory gearbox speeds from -180 rpm to engine start cutoff speed
- Able to execute three consecutive engine start attempts or motoring cranks
- Quick attach/detach clamp mounting

- MIL-C-38999 series III connector and 983-ORS20-04PNL Deutsch connector
- When combined with a 1425 PCU
 - Rated start torque is programmable from 5 ft-lbs (6.8 Nm) to 30 ft-lbs (40.7 Nm)
 - Programmable start assist torque vs. speed profile
 - Soft start current control reduces electrical bus under-voltage transient associated with engine start
 - Programmable cutoff speed (4,800 to 6,800 rpm)

Power

Starting torque: 30 ft-lbs (40.7 Nm)

Output: 12,950W AC

Safety

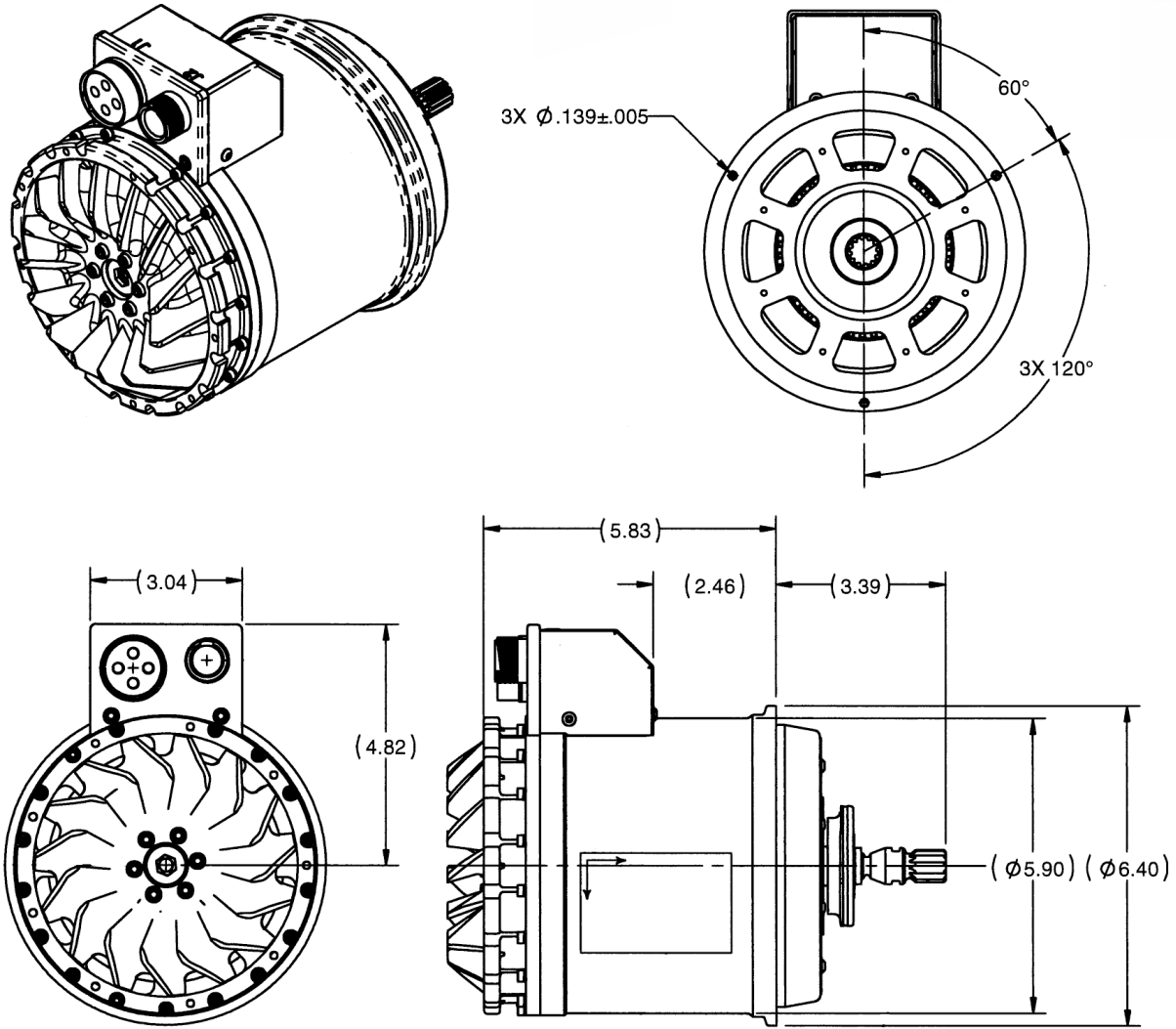
- Induction machine provides inherent protection against feeder faults
- Electrically isolated windings

KEY BENEFITS

- 400A of full rated power from 6,200 rpm to 12,000 rpm
- 250A from 4,700 to 6,200 rpm
- Can replace or act as an Auxiliary Power Unit
- Brushless unit increases mean time between failure
- Longer scheduled maintenance intervals—more operating hours

Qualification

- RTCA/DO-160G



Size

Length: 9.22 in (234.18 mm)
(includes shaft, excludes fan)

Circumscribed envelope diameter:
9.07 in (230.37 mm)
(includes connector housing)

Weight

27 lbs (12.25 kg) max

CONTACT INFO

Astronics AES
12950 Willows Road NE
Kirkland, WA, 98034
+1.425.881.1700
AESsales@astronics.com
astronics.com

