

COREPOWER®

1446

Frequency Converter

The COREPOWER® Frequency Converter performs the function of converting a variable frequency AC power source into fixed frequency AC power. This unit takes variable frequency 3-phase 115VAC, converts it to regulated 3-phase 115VAC constant frequency.



Features

- High efficiency of > 94%
- Low current distortion of < 2% THD
- Low output voltage distortion of <3% THD
- Near unity power factor at full load ~99%
- Overload operation
 - 150% for 2 minutes
 - 200% for 5 seconds
- Forced air or built-in cooling fan
- Full performance from:
 - -40C to +55C (1446-20)
- ATR rack mount or mounting flange versions available upon request
- BIT with output current and fault reporting
- High reliability MTBF of 50,000 operating hours
- Circular connectors
- Silent operation
 - No fan required

Power

- Input:** 3Phase 115VAC, 324-800Hz
- Output:** Regulated 115VAC (+/- 3VAC), 400hz (+/-7Hz)
- 10 Amps per phase at 115VAC (1446-20)

Safety

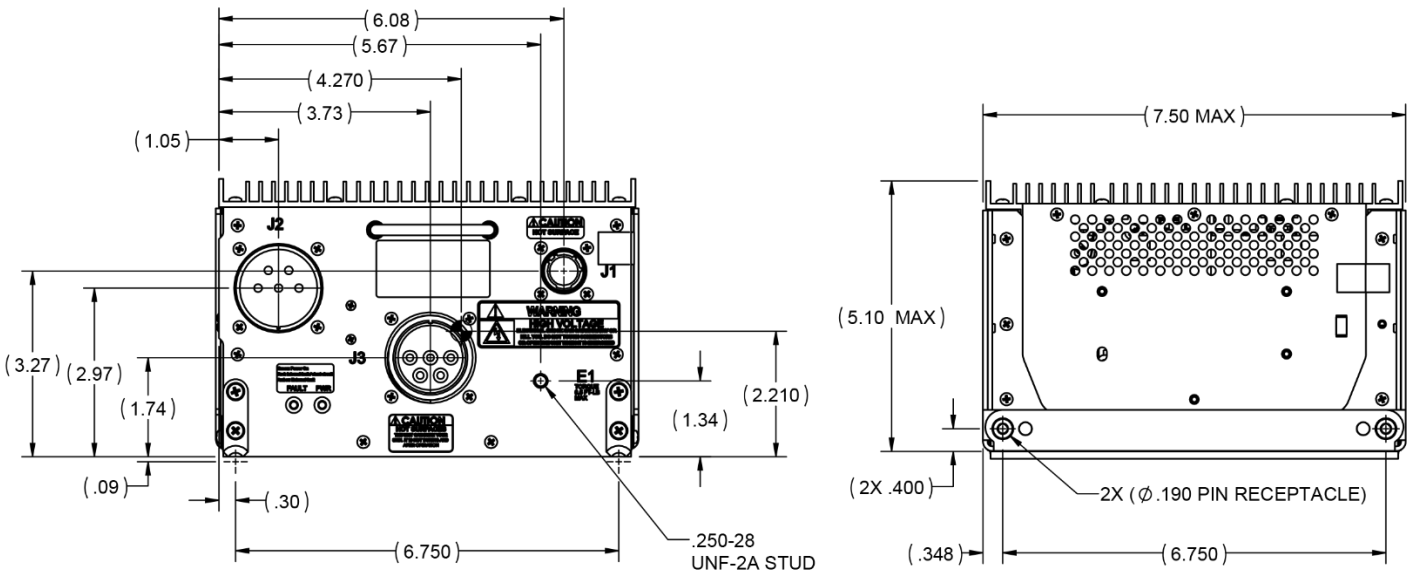
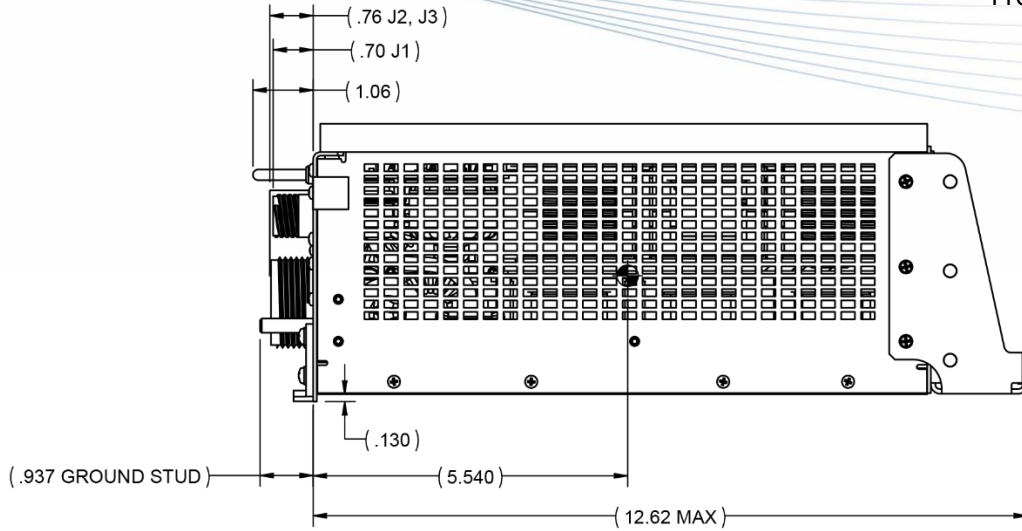
- Over-voltage protection (SBIT indication)
- DC content protection (SBIT indication)
- Over-temperature protection
- Over-current protection
- Over/under frequency protection

KEY BENEFITS

- Quiet, fan-less operation
- High efficiency and low distortion means greater power yield versus conventional units
- Low current distortion, high power factor
- High overload capability, allows for breaker coordination

Qualification

- RTCA/DO-160G
- RTCA/DO-254 DAL B



Size

Fits within 3/4 ATR Short (if rack mounted)

7.50 in W x 12.62 in L x 5.10 in H
 (190.5 mm W x 320.5 mm L x 129.5 mm H)

Weight

16.54 lbs (7.5 kg)

CONTACT INFO

Astronics AES
 12950 Willows Road NE
 Kirkland, WA, 98034
 +1.425.881.1700
 AESsales@astronics.com
astronics.com

