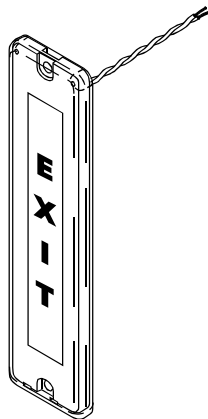


ILLUSTRATED PARTS CATALOG

LED Exit Markers

Floor Proximity Emergency Escape Path Marking System (FPEEPMS)



LUMINESCENT SYSTEMS, Inc.
4 Lucent Drive
Lebanon, NH 03766
USA

Tel 603 643 7766
Fax 603 643 5947

V32890

33-50-20

Rev 0, Apr 30, 2003

Luminescent Systems, Inc.
LED Exit Markers
ILLUSTRATED PARTS CATALOG

COPYRIGHT AND PROPRIETARY

COPYRIGHT © 2003 Luminescent Systems Inc.

All rights reserved. No part of this document may be reproduced or transmitted in any form or by any means, electronic or mechanical, including photocopying and recording, or by any information storage or retrieval system, without the express written consent of an authorized representative of the Publisher, Luminescent Systems, Inc. (LSI). All correspondence and inquiries should be directed to:

Luminescent Systems, Inc.
Attn. Aircraft Lighting Program Manager
4, Lucent Drive
Lebanon, NH 03766
USA

PROPRIETARY

All illustrations and information within this technical document are the proprietary property of Luminescent Systems, Inc., and shall not be used in whole or in part without the express written consent of an authorized representative of the Publisher:

Luminescent Systems, Inc.
4, Lucent Drive
Lebanon, NH 03766
USA

Luminescent Systems, Inc.
LED Exit Markers
ILLUSTRATED PARTS CATALOG

THIS PAGE INTENTIONALLY LEFT BLANK

Luminescent Systems, Inc.
LED Exit Markers
ILLUSTRATED PARTS CATALOG

HIGHLIGHTS

This document represents the initial release of the Illustrated Parts Catalog for the Exit Markers used in LSI's Floor Proximity Escape Path Marking systems.

This document is to be used in conjunction with the following documents:
33-50-21 IPC, Exit Marker Overlays

Luminescent Systems, Inc.
LED Exit Markers
ILLUSTRATED PARTS CATALOG

THIS PAGE INTENTIONALLY LEFT BLANK

Luminescent Systems, Inc.
LED Exit Markers
ILLUSTRATED PARTS CATALOG

THIS PAGE INTENTIONALLY LEFT BLANK

Luminescent Systems, Inc.
LED Exit Markers
ILLUSTRATED PARTS CATALOG

THIS PAGE INTENTIONALLY LEFT BLANK

Luminescent Systems, Inc.
LED Exit Markers
ILLUSTRATED PARTS CATALOG

THIS PAGE INTENTIONALLY LEFT BLANK

Luminescent Systems, Inc.
LED Exit Markers
ILLUSTRATED PARTS CATALOG

LIST OF EFFECTIVE PAGES

PAGE	NO.	ISSUE
-	Title	Apr 30, 2003
-	(blank)	Apr 30, 2003
CP-1	through CP-1	Apr 30, 2003
CP-2	(blank)	Apr 30, 2003
Highlights 1	through Highlights 1	Apr 30, 2003
Highlights 2	(blank)	Apr 30, 2003
ROR-1	through ROR-1	Apr 30, 2003
ROR-2	(blank)	Apr 30, 2003
RTR-1	through RTR-1	Apr 30, 2003
RTR-2	(blank)	Apr 30, 2003
SBL-1	through SBL-1	Apr 30, 2003
SBL-2	(blank)	Apr 30, 2003
LEP-1	through LEP-1	Apr 30, 2003
LEP-2	(blank)	Apr 30, 2003
TOC-1	through TOC-1	Apr 30, 2003
TOC-2	(blank)	Apr 30, 2003
LOF-1	through LOF-1	Apr 30, 2003
LOF-2	(blank)	Apr 30, 2003
LOT-1	through LOT-1	Apr 30, 2003
LOT-2	(blank)	Apr 30, 2003
1	through 7	Apr 30, 2003
8	(blank)	Apr 30, 2003

Luminescent Systems, Inc.
LED Exit Markers
ILLUSTRATED PARTS CATALOG

THIS PAGE INTENTIONALLY LEFT BLANK

Luminescent Systems, Inc.
LED Exit Markers
ILLUSTRATED PARTS CATALOG

TABLE OF CONTENTS

SUBJECT	PAGE
COPYRIGHT AND PROPRIETARY	CP-1
HIGHLIGHTS	HIGHLIGHTS-1
RECORD OF REVISIONS	ROR-1
RECORD OF TEMPORARY REVISIONS	RTR-1
SERVICE BULLETIN LIST	SBL-1
LIST OF EFFECTIVE PAGES	LEP-1
TABLE OF CONTENTS	LEP-1
LIST OF FIGURES	TOC-1
LIST OF TABLES	LOF-1
8136 SERIES LED EXIT MARKERS	1
8136-X Exit Marker, LED	3
LED EXIT MARKERS - ACCESSORIES	5
8228-1 Lens, for Exit Marker	7

Luminescent Systems, Inc.
LED Exit Markers
ILLUSTRATED PARTS CATALOG

THIS PAGE INTENTIONALLY LEFT BLANK

Luminescent Systems, Inc.
LED Exit Markers
ILLUSTRATED PARTS CATALOG

LIST OF FIGURES

FIGURE	DESCRIPTION	PAGE
Figure 10001:	Illustration for P/N 8136-X	2
Figure 10002:	Illustration for P/N 8228-1	6

Luminescent Systems, Inc.
LED Exit Markers
ILLUSTRATED PARTS CATALOG

THIS PAGE INTENTIONALLY LEFT BLANK

Luminescent Systems, Inc.
LED Exit Markers
ILLUSTRATED PARTS CATALOG

LIST OF TABLES

TABLE N°	TITLE	PAGE
----------	-------	------

Luminescent Systems, Inc.
LED Exit Markers
ILLUSTRATED PARTS CATALOG

THIS PAGE INTENTIONALLY LEFT BLANK

Luminescent Systems, Inc.
LED Exit Markers
ILLUSTRATED PARTS CATALOG

8136 SERIES LED EXIT MARKERS

Luminescent Systems, Inc.
LED Exit Markers
ILLUSTRATED PARTS CATALOG

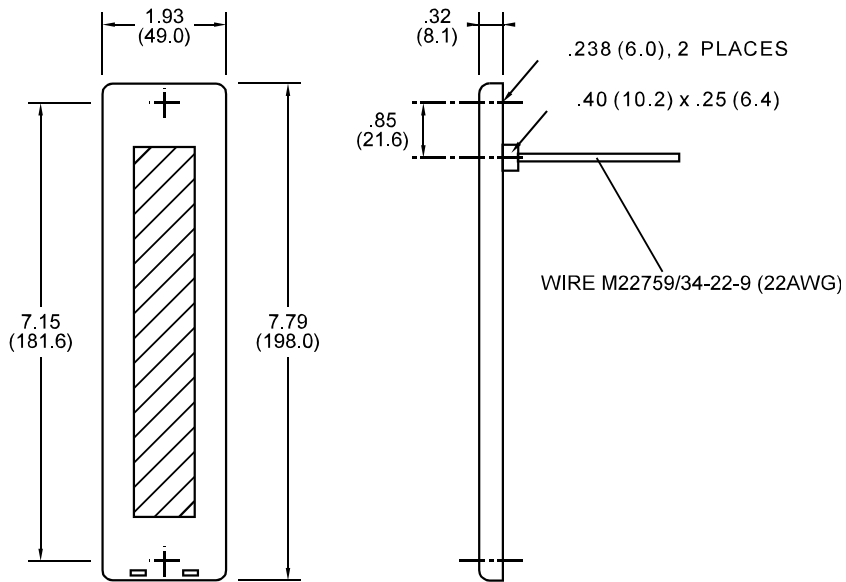
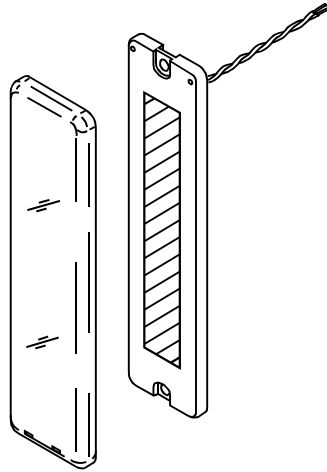


Figure 10001: Illustration for P/N 8136-X

Luminescent Systems, Inc.
LED Exit Markers
ILLUSTRATED PARTS CATALOG

8136-X	Exit Marker, LED		
	Figure N°	10001	
	Material	Lexan®	
	Overlay	Refer to IPC 33-50-21	
	Termination	8" Round Wires (22 AWG)	
	Connector(s)	None	
	Contacts	None	
	Weight	3.10 oz	88 g
	Input Voltage	6VDC	Typical
	Input Current	120 mA Typical.	@6VDC
	Spare Parts	8228-1	Lens, for 8136 Exit Marker

Luminescent Systems, Inc.
LED Exit Markers
ILLUSTRATED PARTS CATALOG

THIS PAGE INTENTIONALLY LEFT BLANK

Luminescent Systems, Inc.
LED Exit Markers
ILLUSTRATED PARTS CATALOG

LED EXIT MARKERS - ACCESSORIES

Luminescent Systems, Inc.
LED Exit Markers
ILLUSTRATED PARTS CATALOG

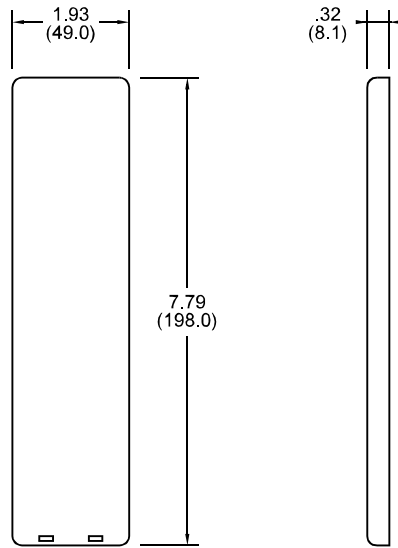
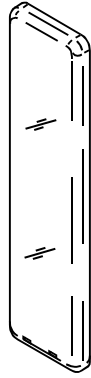


Figure 10002:Illustration for P/N 8228-1

Luminescent Systems, Inc.
LED Exit Markers
ILLUSTRATED PARTS CATALOG

8228-1	Lens, for Exit Marker		
	Figure N°	10002	
	Material	Lexan®	
	Exit Marker Types	8136	
	Weight	0.53 oz	15 g
	CMM	33-50-18	

Luminescent Systems, Inc.
LED Exit Markers
ILLUSTRATED PARTS CATALOG

THIS PAGE INTENTIONALLY LEFT BLANK