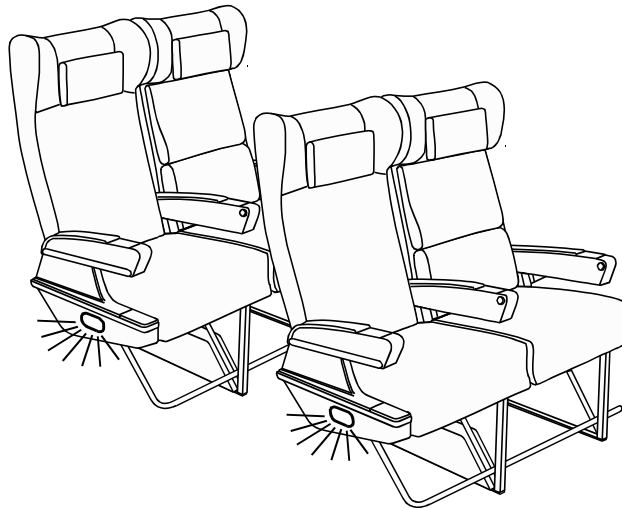


ILLUSTRATED PARTS CATALOG

Seat Mounted LED (SLED)

Floor Proximity Emergency Escape Path Marking System (FPEEPMS)



LUMINESCENT SYSTEMS, Inc.
4 Lucent Drive
Lebanon, NH 03766
USA

Tel 603 643 7766
Fax 603 643 5947

V32890

33-50-19

Rev 0, Apr 30, 2003

Luminescent Systems, Inc.
Seat Mounted LED FPEEPMS
ILLUSTRATED PARTS CATALOG

COPYRIGHT AND PROPRIETARY

COPYRIGHT © 2003 Luminescent Systems Inc.

All rights reserved. No part of this document may be reproduced or transmitted in any form or by any means, electronic or mechanical, including photocopying and recording, or by any information storage or retrieval system, without the express written consent of an authorized representative of the Publisher, Luminescent Systems, Inc. (LSI). All correspondence and inquiries should be directed to:

Luminescent Systems, Inc.
Attn. Aircraft Lighting Program Manager
4, Lucent Drive
Lebanon, NH 03766
USA

PROPRIETARY

All illustrations and information within this technical document are the proprietary property of Luminescent Systems, Inc., and shall not be used in whole or in part without the express written consent of an authorized representative of the Publisher:

Luminescent Systems, Inc.
4, Lucent Drive
Lebanon, NH 03766
USA

Luminescent Systems, Inc.
Seat Mounted LED FPEEPMS
ILLUSTRATED PARTS CATALOG

THIS PAGE INTENTIONALLY LEFT BLANK

Luminescent Systems, Inc.
Seat Mounted LED FPEEPMS
ILLUSTRATED PARTS CATALOG

HIGHLIGHTS

This document represents the initial release of the Illustrated Parts Catalog for the LSI Seat Mounted LED Emergency Egress Lighting (SLED) System providing floor mounted Floor Proximity Escape Path Marking using LED lighting technology.

This document is to be used in conjunction with the following documents:
33-50-12 IPC, Connectors

Luminescent Systems, Inc.
Seat Mounted LED FPEEPMS
ILLUSTRATED PARTS CATALOG

THIS PAGE INTENTIONALLY LEFT BLANK

Luminescent Systems, Inc.
Seat Mounted LED FPEEPMS
ILLUSTRATED PARTS CATALOG

THIS PAGE INTENTIONALLY LEFT BLANK

Luminescent Systems, Inc.
Seat Mounted LED FPEEPMS
ILLUSTRATED PARTS CATALOG

THIS PAGE INTENTIONALLY LEFT BLANK

Luminescent Systems, Inc.
Seat Mounted LED FPEEPMS
ILLUSTRATED PARTS CATALOG

THIS PAGE INTENTIONALLY LEFT BLANK

Luminescent Systems, Inc.
Seat Mounted LED FPEEPMS
ILLUSTRATED PARTS CATALOG

LIST OF EFFECTIVE PAGES

PAGE	NO.	ISSUE
-	Title	Apr 30, 2003
-	(blank)	Apr 30, 2003
CP-1	through CP-1	Apr 30, 2003
CP-2	(blank)	Apr 30, 2003
Highlights 1	through Highlights 1	Apr 30, 2003
Highlights 2	(blank)	Apr 30, 2003
ROR-1	through ROR-1	Apr 30, 2003
ROR-2	(blank)	Apr 30, 2003
RTR-1	through RTR-1	Apr 30, 2003
RTR-2	(blank)	Apr 30, 2003
SBL-1	through SBL-1	Apr 30, 2003
SBL-2	(blank)	Apr 30, 2003
LEP-1	through LEP-1	Apr 30, 2003
LEP-2	(blank)	Apr 30, 2003
TOC-1	through TOC-1	Apr 30, 2003
TOC-2	(blank)	Apr 30, 2003
LOF-1	through LOF-1	Apr 30, 2003
LOF-2	(blank)	Apr 30, 2003
LOT-1	through LOT-1	Apr 30, 2003
LOT-2	(blank)	Apr 30, 2003
1	through 21	Apr 30, 2003
22	(blank)	Apr 30, 2003

Luminescent Systems, Inc.
Seat Mounted LED FPEEPMS
ILLUSTRATED PARTS CATALOG

THIS PAGE INTENTIONALLY LEFT BLANK

Luminescent Systems, Inc.
 Seat Mounted LED FPEEPMS
 ILLUSTRATED PARTS CATALOG

TABLE OF CONTENTS

SUBJECT	PAGE
COPYRIGHT AND PROPRIETARY	CP-1
HIGHLIGHTS	HIGHLIGHTS-1
RECORD OF REVISIONS	ROR-1
RECORD OF TEMPORARY REVISIONS	RTR-1
SERVICE BULLETIN LIST	SBL-1
LIST OF EFFECTIVE PAGES	LEP-1
TABLE OF CONTENTS	LEP-1
LIST OF FIGURES	TOC-1
LIST OF TABLES	LOF-1
LED SEAT LIGHTS - SURFACE MOUNT	1
8233-1 Seat Light, LED, Surface Mount, White	3
8233-2 Seat Light, LED, Surface Mount, Green	3
8233-3 Seat Light, LED, Surface Mount, Red	3
8233-4 Seat Light, LED, Surface Mount, White, Arrow	3
8233-5 Seat Light, LED, Surface Mount, Green, Arrow	3
LED SEAT LIGHTS - FLUSH MOUNT	5
8241-1 Seat Light, LED, Flush Mount, White	7
8241-2 Seat Light, LED, Flush Mount, Green	7
8241-3 Seat Light, LED, Flush Mount, Red	7
8241-4 Seat Light, LED, Flush Mount, White, Arrow	7
8241-5 Seat Light, LED, Flush Mount, Green, Arrow	7
LED MONUMENT LIGHTS- GALLEY	9
8237-1 Monument Light, LED, Narrow, White	11
8237-2 Monument Light, LED, Narrow, Green	11
8237-3 Monument Light, LED, Narrow, Red	11
8237-4 Monument Light, LED, Narrow, White, Arrow	11
8237-5 Monument Light, LED, Narrow, Green, Arrow	11
LED MONUMENT LIGHTS - WALL MOUNT	13
8238-1 Monument Light, LED, Wide, White	15
8238-2 Monument Light, LED, Wide, Green	15
8238-3 Monument Light, LED, Wide, Red	15
8238-4 Monument Light, LED, Wide, White, Arrow	15
8238-5 Monument Light, LED, Wide, Green, Arrow	15
LED AISLE FLOODLIGHTS	17
8176-1 Floodlight, LED, White	19
8301-1 Monument Floodlight, LED, White	21
8301-3 Monument Floodlight, LED, Red/White	21

Luminescent Systems, Inc.
Seat Mounted LED FPEEPMS
ILLUSTRATED PARTS CATALOG

THIS PAGE INTENTIONALLY LEFT BLANK

Luminescent Systems, Inc.
Seat Mounted LED FPEEPMS
ILLUSTRATED PARTS CATALOG

LIST OF FIGURES

FIGURE	DESCRIPTION	PAGE
Figure 10001:	Illustration for P/N 8233-X	2
Figure 10002:	Illustration for P/N 8241-X	6
Figure 10003:	Illustration for P/N 8237-X	10
Figure 10004:	Illustration for P/N 8238-X	14
Figure 10005:	Illustration for P/N 8176-X	18
Figure 10006:	Illustration for P/N 8301-X	20

Luminescent Systems, Inc.
Seat Mounted LED FPEEPMS
ILLUSTRATED PARTS CATALOG

THIS PAGE INTENTIONALLY LEFT BLANK

Luminescent Systems, Inc.
Seat Mounted LED FPEEPMS
ILLUSTRATED PARTS CATALOG

LIST OF TABLES

TABLE N°	TITLE	PAGE
----------	-------	------

Luminescent Systems, Inc.
Seat Mounted LED FPEEPMS
ILLUSTRATED PARTS CATALOG

THIS PAGE INTENTIONALLY LEFT BLANK

Luminescent Systems, Inc.
Seat Mounted LED FPEEPMS
ILLUSTRATED PARTS CATALOG

LED SEAT LIGHTS - SURFACE MOUNT

Luminescent Systems, Inc.
 Seat Mounted LED FPEEPMS
 ILLUSTRATED PARTS CATALOG

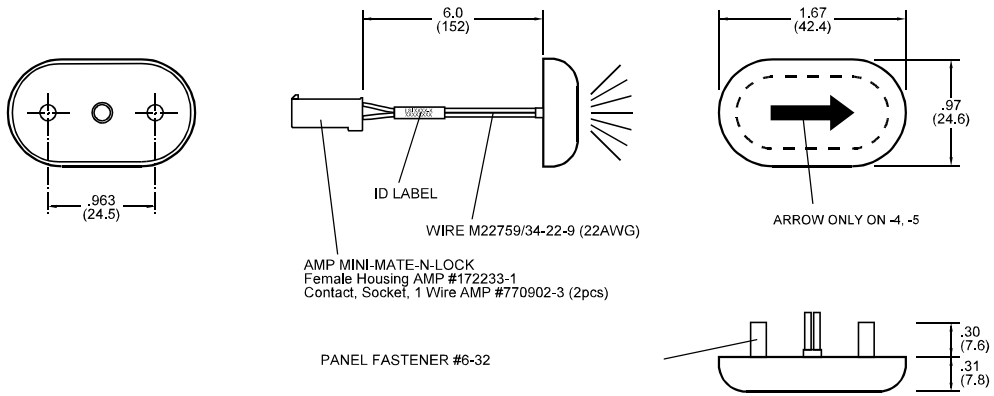
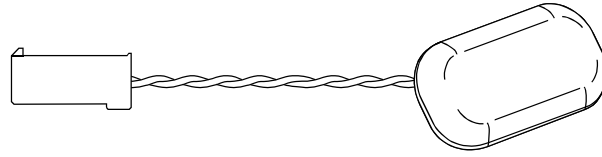


Figure 10001:Illustration for P/N 8233-X

Luminescent Systems, Inc.
 Seat Mounted LED FPEEPMS
 ILLUSTRATED PARTS CATALOG

8233-1	Seat Light, LED, Surface Mount, White		
8233-2	Seat Light, LED, Surface Mount, Green		
8233-3	Seat Light, LED, Surface Mount, Red		
8233-4	Seat Light, LED, Surface Mount, White, Arrow		
8233-5	Seat Light, LED, Surface Mount, Green, Arrow		
	Figure N°	10001	
	Termination	10" Round Wires (22 AWG)	
	Connector(s)	LSI #61888	Housing, Cap
	Contacts	LSI #62048	Contact, Socket
	Weight	oz	15 g
	Input Voltage	6VDC	Typical
	Input Current	60 mA Typical.	@6VDC
	Spare Parts	N/A	
	CMM	33-50-18	
	Eligibility		

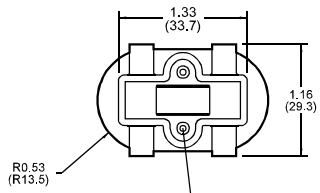
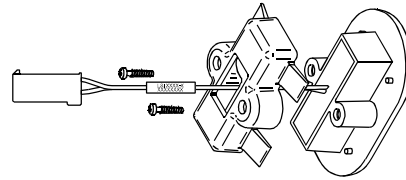
Luminescent Systems, Inc.
Seat Mounted LED FPEEPMS
ILLUSTRATED PARTS CATALOG

THIS PAGE INTENTIONALLY LEFT BLANK

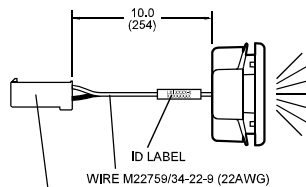
Luminescent Systems, Inc.
Seat Mounted LED FPEEPMS
ILLUSTRATED PARTS CATALOG

LED SEAT LIGHTS - FLUSH MOUNT

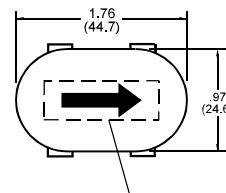
Luminescent Systems, Inc.
 Seat Mounted LED FPEEPMS
 ILLUSTRATED PARTS CATALOG



SCREW (2 pcs. - not shown)
 Included with part



WIRE M22759/34-22-9 (22AWG)
 AMP MIN-MATE-N-LOCK
 Female Housing AMP #172233-1
 Contact Socket, 1 Wire AMP #770902-3 (2pcs)



LIT AREA 1.0"x.30" APPROX.
 ARROW ONLY ON -4, -5

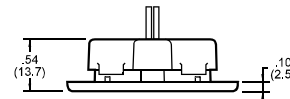


Figure 10002:Illustration for P/N 8241-X

Luminescent Systems, Inc.
 Seat Mounted LED FPEEPMS
 ILLUSTRATED PARTS CATALOG

8241-1	Seat Light, LED, Flush Mount, White		
8241-2	Seat Light, LED, Flush Mount, Green		
8241-3	Seat Light, LED, Flush Mount, Red		
8241-4	Seat Light, LED, Flush Mount, White, Arrow		
8241-5	Seat Light, LED, Flush Mount, Green, Arrow		
	Figure N°	10002	
	Termination	10" Round Wires (22 AWG)	
	Connector(s)	LSI #61888	Housing, Cap
	Contacts	LSI #62048	Contact, Socket
	Weight	oz	15 g
	Input Voltage	6VDC	Typical
	Input Current	45 mA Typical.	@6VDC
	Spare Parts	N/A	
	CMM	33-50-18	
	Eligibility		

Luminescent Systems, Inc.
Seat Mounted LED FPEEPMS
ILLUSTRATED PARTS CATALOG

THIS PAGE INTENTIONALLY LEFT BLANK

Luminescent Systems, Inc.
Seat Mounted LED FPEEPMS
ILLUSTRATED PARTS CATALOG

LED MONUMENT LIGHTS- GALLEY

Luminescent Systems, Inc.
 Seat Mounted LED FPEEPMS
 ILLUSTRATED PARTS CATALOG

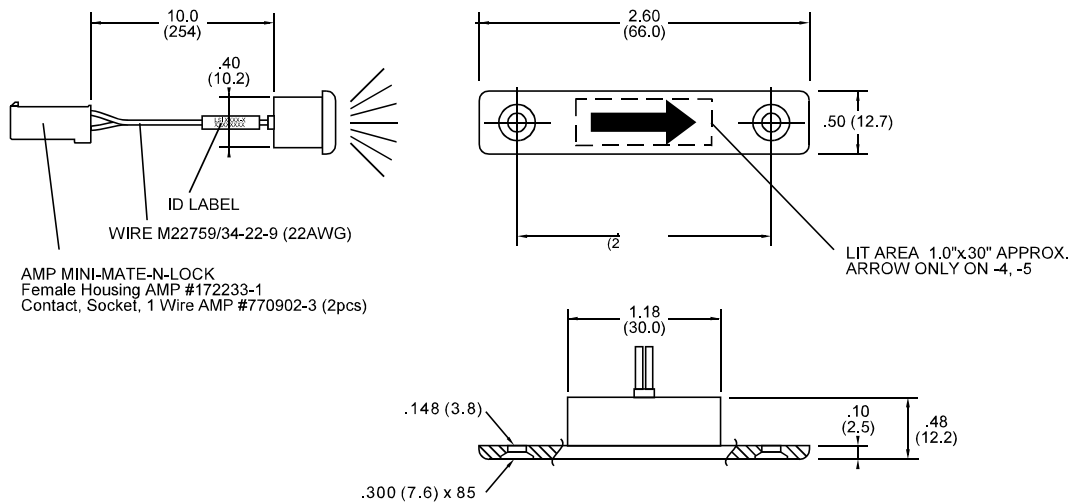
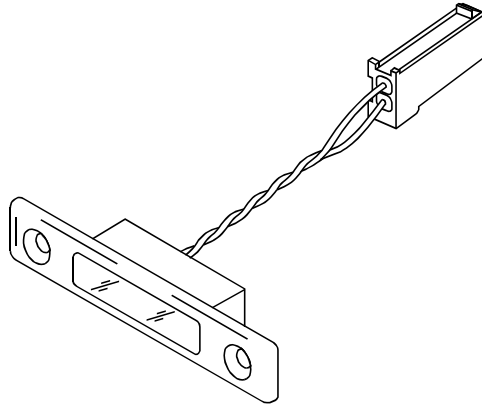


Figure 10003:Illustration for P/N 8237-X

Luminescent Systems, Inc.
 Seat Mounted LED FPEEPMS
 ILLUSTRATED PARTS CATALOG

8237-1	Monument Light, LED, Narrow, White		
8237-2	Monument Light, LED, Narrow, Green		
8237-3	Monument Light, LED, Narrow, Red		
8237-4	Monument Light, LED, Narrow, White, Arrow		
8237-5	Monument Light, LED, Narrow, Green, Arrow		
	Figure N°	10003	
	Termination	10" Round Wires (22 AWG)	
	Connector(s)	LSI #61888	Housing, Cap
	Contacts	LSI #62048	Contact, Socket
	Weight	oz	12 g
	Input Voltage	6VDC	Typical
	Input Current	45 mA Typical.	@6VDC
	Spare Parts	N/A	
	CMM	33-50-18	
	Eligibility		

Luminescent Systems, Inc.
Seat Mounted LED FPEEPMS
ILLUSTRATED PARTS CATALOG

THIS PAGE INTENTIONALLY LEFT BLANK

Luminescent Systems, Inc.
Seat Mounted LED FPEEPMS
ILLUSTRATED PARTS CATALOG

LED MONUMENT LIGHTS - WALL MOUNT

Luminescent Systems, Inc.
 Seat Mounted LED FPEEPMS
 ILLUSTRATED PARTS CATALOG

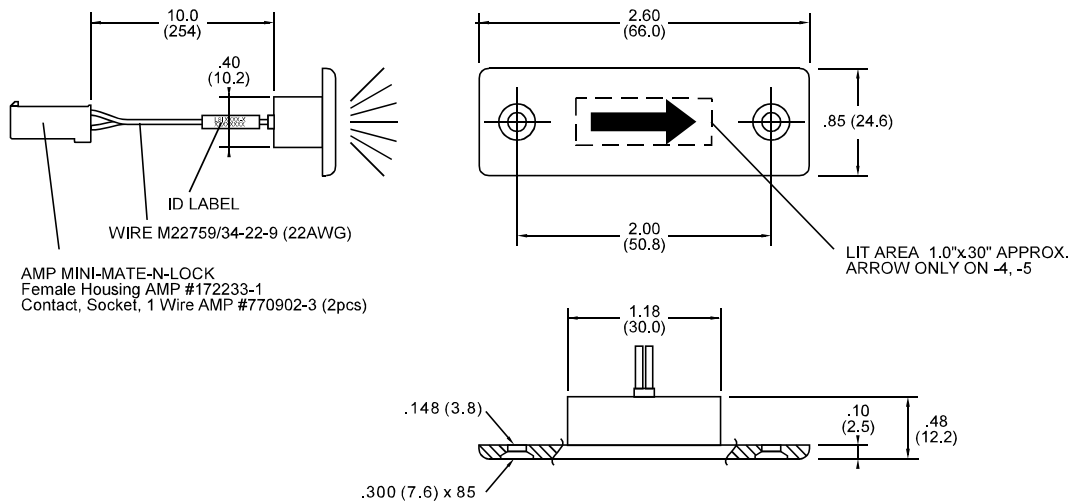
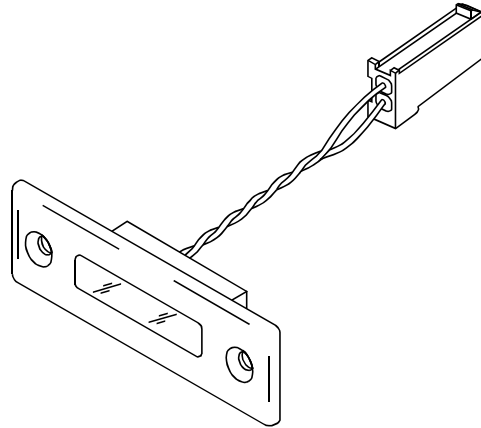


Figure 10004:Illustration for P/N 8238-X

Luminescent Systems, Inc.
 Seat Mounted LED FPEEPMS
 ILLUSTRATED PARTS CATALOG

8238-1	Monument Light, LED, Wide, White		
8238-2	Monument Light, LED, Wide, Green		
8238-3	Monument Light, LED, Wide, Red		
8238-4	Monument Light, LED, Wide, White, Arrow		
8238-5	Monument Light, LED, Wide, Green, Arrow		
	Figure N°	10004	
	Termination	10" Round Wires (22 AWG)	
	Connector(s)	LSI #61888	Housing, Cap
	Contacts	LSI #62048	Contact, Socket
	Weight	oz	12 g
	Input Voltage	6VDC	Typical
	Input Current	45 mA Typical.	@6VDC
	Spare Parts	N/A	
	CMM	33-50-18	
	Eligibility		

Luminescent Systems, Inc.
Seat Mounted LED FPEEPMS
ILLUSTRATED PARTS CATALOG

THIS PAGE INTENTIONALLY LEFT BLANK

Luminescent Systems, Inc.
Seat Mounted LED FPEEPMS
ILLUSTRATED PARTS CATALOG

LED AISLE FLOODLIGHTS

Luminescent Systems, Inc.
 Seat Mounted LED FPEEPMS
 ILLUSTRATED PARTS CATALOG

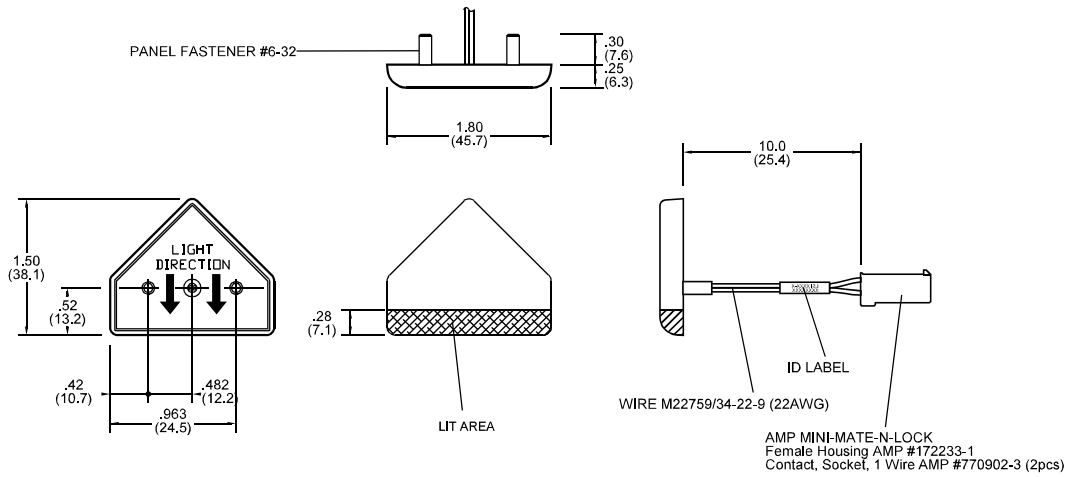
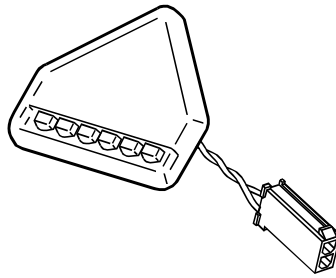


Figure 10005:Illustration for P/N 8176-X

Luminescent Systems, Inc.
 Seat Mounted LED FPEEPMS
 ILLUSTRATED PARTS CATALOG

8176-1	Floodlight, LED, White		
	Figure N°	10005	
	Termination	10" Round Wires (22 AWG)	
	Connector(s)	LSI #61888	Housing, Cap
	Contacts	LSI #62048	Contact, Socket
	Weight	oz	13 g
	Input Voltage	6VDC	Typical
	Input Current	90 mA Typical.	@6VDC
	Spare Parts	N/A	
	CMM	33-50-18	
	Eligibility		

Luminescent Systems, Inc.
 Seat Mounted LED FPEEPMS
 ILLUSTRATED PARTS CATALOG

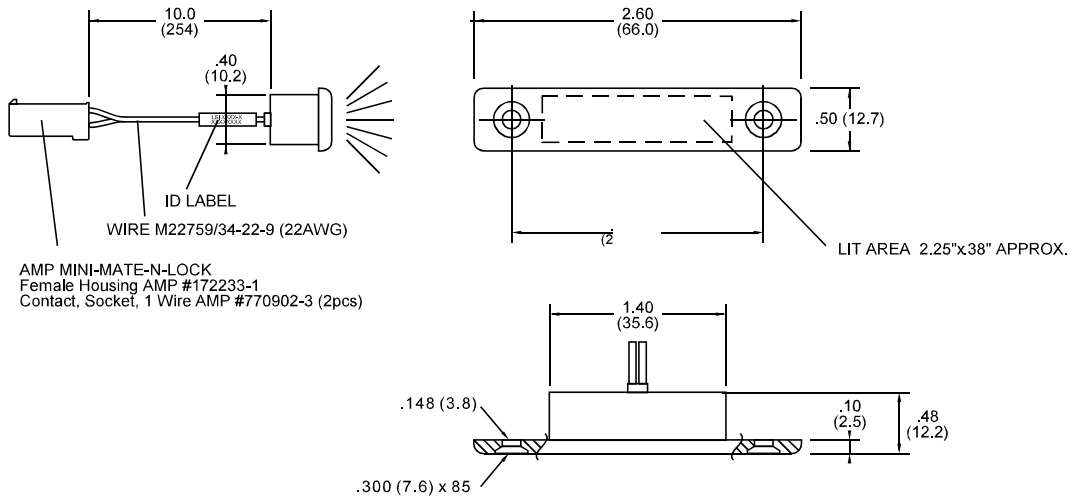
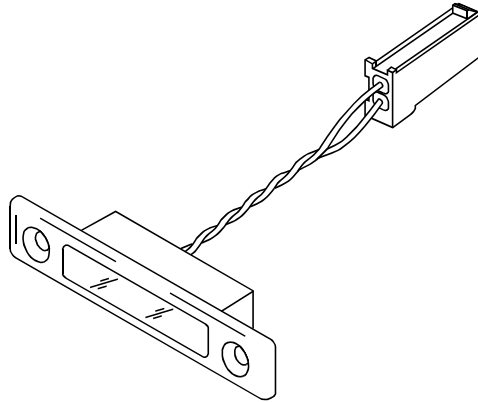


Figure 10006: Illustration for P/N 8301-X

Luminescent Systems, Inc.
 Seat Mounted LED FPEEPMS
 ILLUSTRATED PARTS CATALOG

8301-1	Monument Floodlight, LED, White		
8301-3	Monument Floodlight, LED, Red/White		
	Figure N°	10006	
	Termination	10" Round Wires (22 AWG)	
	Connector(s)	LSI #61888	Housing, Cap
	Contacts	LSI #62048	Contact, Socket
	Weight	oz	g
	Input Voltage	6VDC	Typical
	Input Current	90 mA Typical.	@6VDC
	Spare Parts	N/A	
	CMM	33-50-18	
	Eligibility		

Luminescent Systems, Inc.
Seat Mounted LED FPEEPMS
ILLUSTRATED PARTS CATALOG

THIS PAGE INTENTIONALLY LEFT BLANK