

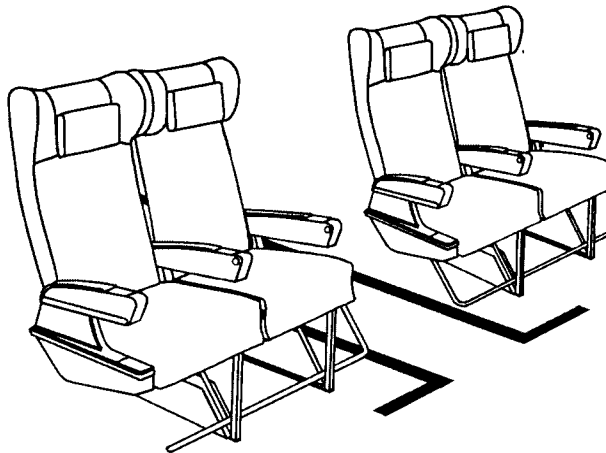
CANADAIR
REGIONAL JET

ILLUSTRATED PARTS CATALOG

Floor Mounted Photoluminescent

**Floor Proximity Emergency Escape Path Marking
System (FPEEPMS)**

Bombardier, Inc. CL-600-2B19 Series Aircraft



	TRANSPORT CANADA
Approved:	<i>[Signature]</i> 0596
Date:	30 NOV. 2001

LUMINESCENT SYSTEMS, Inc.
4 Lucent Drive
Lebanon, NH 03766
USA
Tel 603 643 7766
Fax 603 643 5947

V32890

33-50-17

Rev 0, Nov 30, 2001

COPYRIGHT AND PROPRIETARY

COPYRIGHT © 2001 Luminescent Systems Inc.

All rights reserved. No part of this document may be reproduced or transmitted in any form or by any means, electronic or mechanical, including photocopying and recording, or by any information storage or retrieval system, without the express written consent of an authorized representative of the Publisher, Luminescent Systems, Inc. (LSI). All correspondence and inquiries should be directed to:

Luminescent Systems, Inc.
Attn. Aircraft Lighting Program Manager
4, Lucent Drive
Lebanon, NH 03766
USA

PROPRIETARY

All illustrations and information within this technical document are the proprietary property of Luminescent Systems, Inc., and shall not be used in whole or in part without the express written consent of an authorized representative of the Publisher:

Luminescent Systems, Inc.
4, Lucent Drive
Lebanon, NH 03766
USA

THIS PAGE INTENTIONALLY LEFT BLANK

HIGHLIGHTS

This document represents the initial release of the Illustrated Parts Catalog for the LSI Photoluminescent Emergency Egress Lighting (PLEEL) System providing floor mounted Floor Proximity Escape Path Marking in Canadair CL-600-2B19 Series Aircraft.

THIS PAGE INTENTIONALLY LEFT BLANK

RECORD OF REVISIONS

Rev. No.	Issue Date	Inserted		Rev. No.	Issue Date	Inserted	
		Date	By			Date	By
0	Nov 30, 2001						

THIS PAGE INTENTIONALLY LEFT BLANK

THIS PAGE INTENTIONALLY LEFT BLANK

THIS PAGE INTENTIONALLY LEFT BLANK

LIST OF EFFECTIVE PAGES

PAGE	NO.	ISSUE
-	Title	Nov 30, 2001
-	(blank)	Nov 30, 2001
CP-1	through CP-1	Nov 30, 2001
CP-2	(blank)	Nov 30, 2001
Highlights 1	through Highlights 1	Nov 30, 2001
Highlights 2	(blank)	Nov 30, 2001
ROR-1	through ROR-1	Nov 30, 2001
ROR-2	(blank)	Nov 30, 2001
RTR-1	through RTR-1	Nov 30, 2001
RTR-2	(blank)	Nov 30, 2001
SBL-1	through SBL-1	Nov 30, 2001
SBL-2	(blank)	Nov 30, 2001
LEP-1	through LEP-1	Nov 30, 2001
LEP-2	(blank)	Nov 30, 2001
TOC-1	through TOC-1	Nov 30, 2001
TOC-2	(blank)	Nov 30, 2001
LOF-1	through LOF-1	Nov 30, 2001
LOF-2	(blank)	Nov 30, 2001
LOT-1	through LOT-1	Nov 30, 2001
LOT-2	(blank)	Nov 30, 2001
1	through 23	Nov 30, 2001
24	(blank)	Nov 30, 2001

THIS PAGE INTENTIONALLY LEFT BLANK

TABLE OF CONTENTS

SUBJECT	PAGE
COPYRIGHT AND PROPRIETARY	CP-1
HIGHLIGHTS	HIGHLIGHTS-1
RECORD OF REVISIONS	ROR-1
RECORD OF TEMPORARY REVISIONS	RTR-1
SERVICE BULLETIN LIST	SBL-1
LIST OF EFFECTIVE PAGES	LEP-1
TABLE OF CONTENTS	LEP-1
LIST OF FIGURES	TOC-1
LIST OF TABLES	LOF-1
ILLUSTRATED PARTS CATALOG	1
Master Locators	3
Photoluminescent Track	5
8163-1 Floor Track, Bottom, Photoluminescent, 75"	5
8169-1 Floor Track, Bottom, Photoluminescent, for End Cap, 35"	7
8169-2 Floor Track, Bottom, Photoluminescent, for End Cap, 18"	7
8169-3 Floor Track, Bottom, Photoluminescent, for End Cap, 75"	7
Photoluminescent Track with Arrows	9
8164-2 Floor Track, Bottom, Photoluminescent, with Arrows, 75"	9
8170-2 Floor Track, Bottom, Photoluminescent, with Arrows, for End Cap, 35"	11
8170-3 Floor Track, Bottom, Photoluminescent, with Arrows, for End Cap, 50"	11
Top Track	13
5872-1 Floor Track, Top, Transparent, 24ft	13
5872-10 Floor Track, Top, Transparent, 100ft	13
Track Accessories	15
6144-2 Floor Track, End Cap, with Full Flange, with Track Lens Spacer	15
Photoluminescent Galley Light	17
8011-3 Galley Light, Photoluminescent, 10 Segments	17
Photoluminescent Seat Marker	19
8197-1 Seat Marker, Exit, Photoluminescent, English with Arrows	19
Substitute Electrical Load	21
8226-1 Load, EL Lamp Substitute, 6-18 in ²	21
Accessories	23
61426 Carpet Tape, 1"x75ft, Long Roll	23
61901 RTV Adhesive Sealent, Dow Corning 3145 ,3 fl-oz Tube	23
62464-2 Placard	23

THIS PAGE INTENTIONALLY LEFT BLANK

LIST OF FIGURES

FIGURE	DESCRIPTION	PAGE
Figure 10001:	Master Locator CL-600-2B19	2
Figure 10002:	Illustration for P/N 8163-1	4
Figure 10003:	Illustration for P/N 8169-X	6
Figure 10004:	Illustration for P/N 8164-2	8
Figure 10005:	Illustration for P/N 8170-X	10
Figure 10006:	Illustration for P/N 5872-X	12
Figure 10007:	Illustration for P/N 6144-2	14
Figure 10008:	Illustration for P/N 8011-3	16
Figure 10009:	Illustration for P/N 8197-1	18
Figure 10010:	Illustration for P/N 8226-1	20
Figure 10011:	Illustration for P/N 61426	22
Figure 10012:	Illustration for P/N 61901	22
Figure 10013:	Illustration for P/N 62464-2	22

THIS PAGE INTENTIONALLY LEFT BLANK

LIST OF TABLES

TABLE N°	TITLE	PAGE
----------	-------	------

THIS PAGE INTENTIONALLY LEFT BLANK

ILLUSTRATED PARTS CATALOG

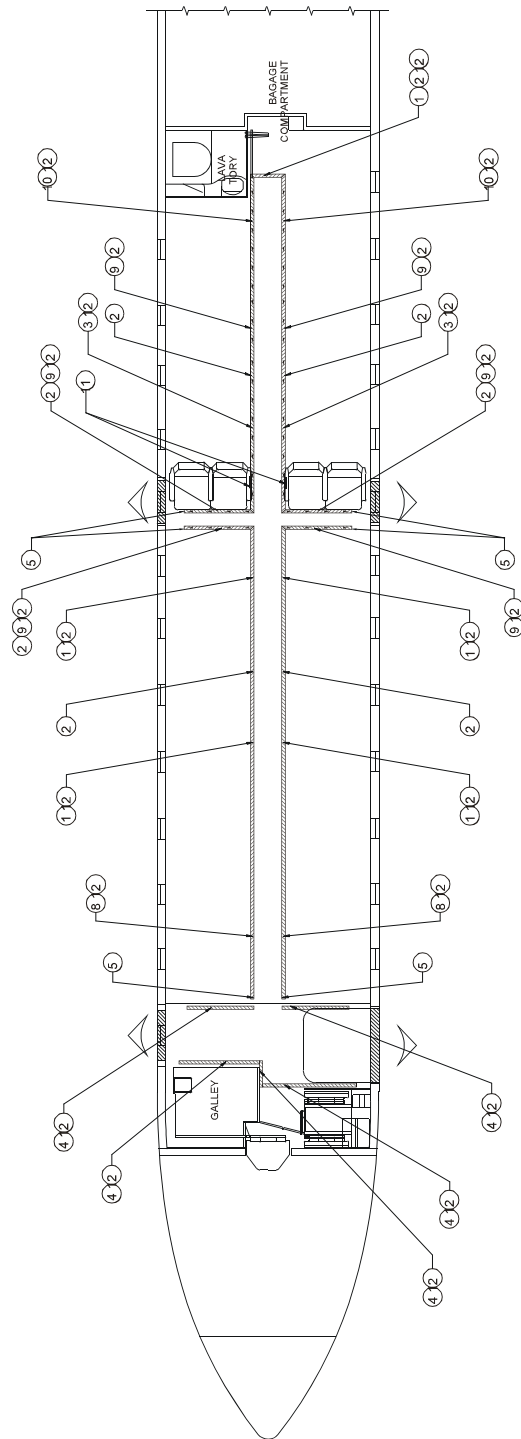


Figure 1001: Master Locator CL-600-2B19

1. Master Locators

Item	P/N	Description
1	8163-1(*)	Floor Track, Bottom, Photoluminescent, 75"
2	5872-1 (*)	Floor Track, Top, Transparent, 100ft
3	8164-2 (*)	Floor Track, Bottom, Photoluminescent, with Arrows, 75"
4	8011-3 (*)	Galley Light, Photoluminescent, 10 Segments
5	6144-2	Floor Track, End Cap, with Full Flange, with Track Lens Spacer
6	8169-1 (*)	Floor Track, Bottom, Photoluminescent, for End Cap, 35"
7	8169-2 (*)	Floor Track, Bottom, Photoluminescent, for End Cap, 18"
8	8169-3 (*)	Floor Track, Bottom, Photoluminescent, for End Cap, 75"
9	8170-2 (*)	Floor Track, Bottom, Photoluminescent, with Arrows, for End Cap, 35"
10	8170-3 (*)	Floor Track, Bottom, Photoluminescent, with Arrows, for End Cap, 50"
11	8197-1	Seat Marker, Exit, Photoluminescent, English with Arrows
12	61426	Carpet Tape, 1"x75ft, long roll
13	61901	RTV Adhesive Sealent, Dow Corning 3145, 3fl-oz Tube
14	62464-2	Placard
15	8226-1	Load, Electrical, Equivalent to 12.6 in ² of EL

(*) Cut to length as required by the installation.

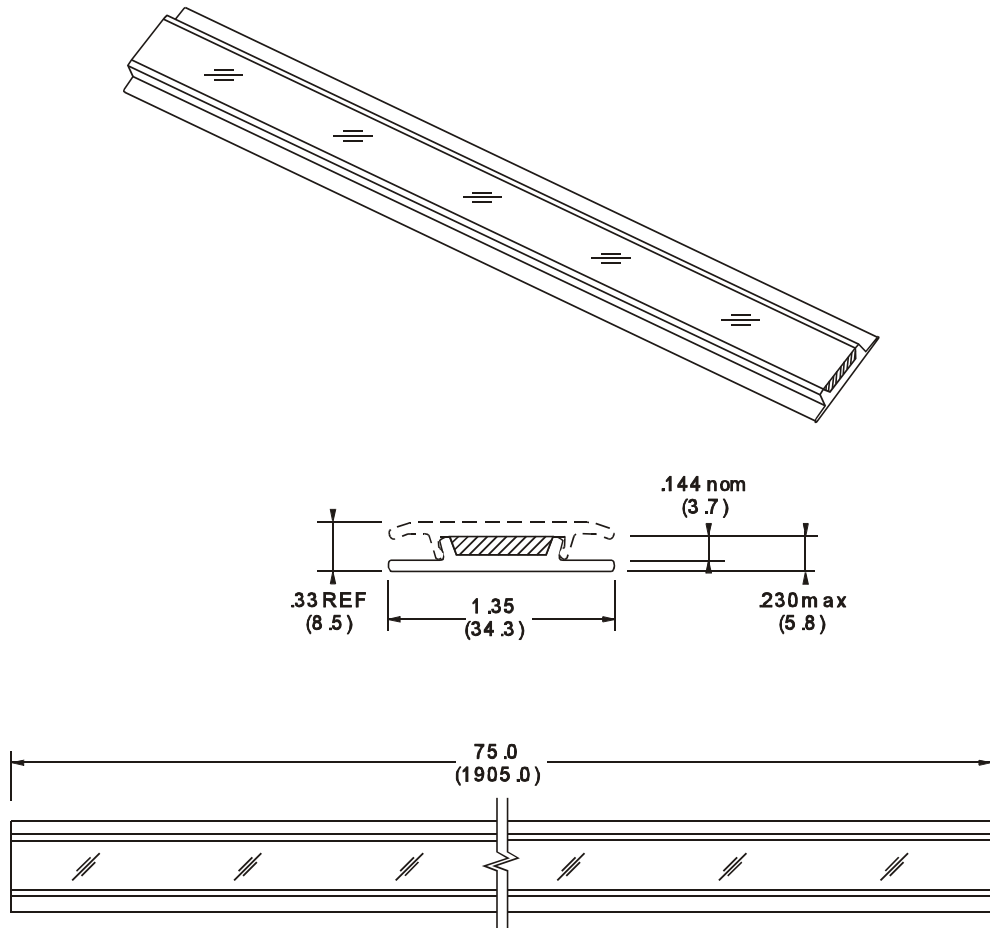


Figure 10002:Illustration for P/N 8163-1

2. Photoluminescent Track

8163-1	Floor Track, Bottom, Photoluminescent, 75"		
	Figure N°	10002	
	Size (L)	X = 75" (1905 mm)	
	Weight	11.50 oz	326 g
	Eligibility	CL-600-2B19	

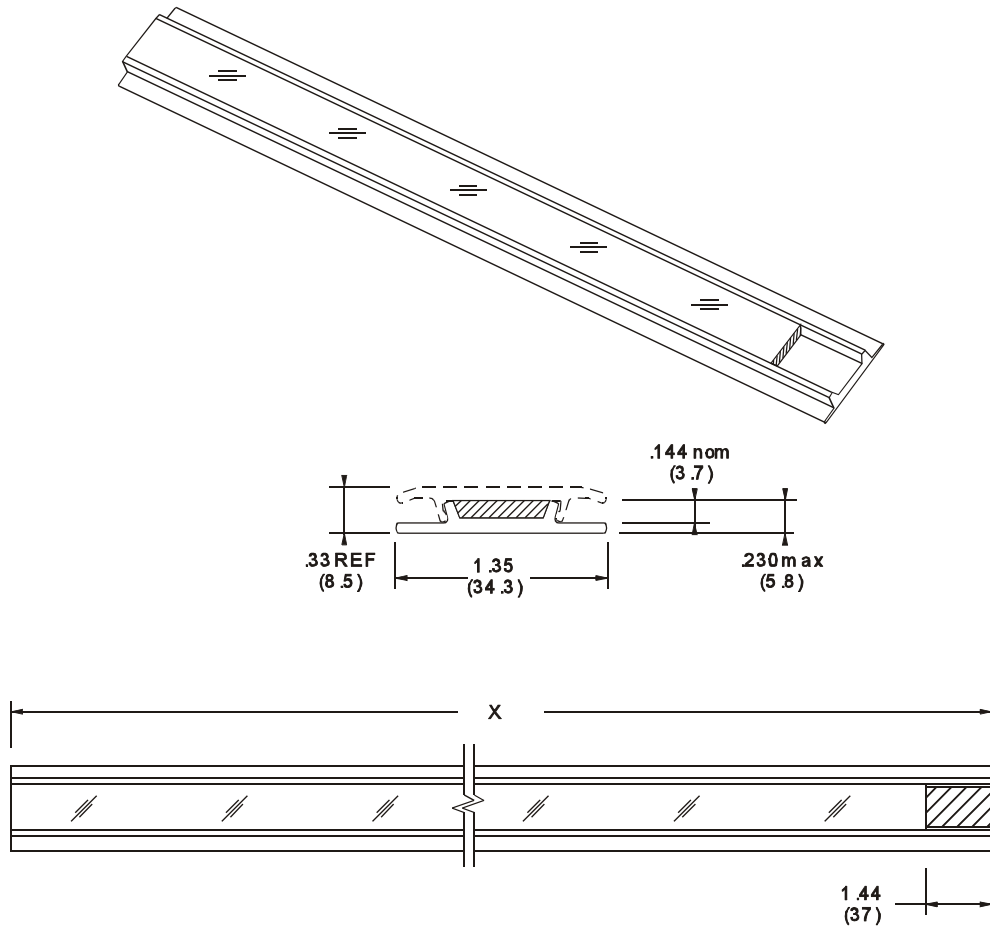


Figure 10003:Illustration for P/N 8169-X

8169-1	Floor Track, Bottom, Photoluminescent, for End Cap, 35"		
	Figure N°	10003	
	Size (L)	X = 35" (889 mm)	
	Weight	5.26 oz	149 g
	Eligibility	CL-600-2B19	

8169-2	Floor Track, Bottom, Photoluminescent, for End Cap, 18"		
	Figure N°	10003	
	Size (L)	X = 18" (457 mm)	
	Weight	2.65 oz	75 g
	Eligibility	CL-600-2B19	

8169-3	Floor Track, Bottom, Photoluminescent, for End Cap, 75"		
	Figure N°	10003	
	Size (L)	X = 75" (1905 mm)	
	Weight	2.65 oz	320 g
	Eligibility	CL-600-2B19	

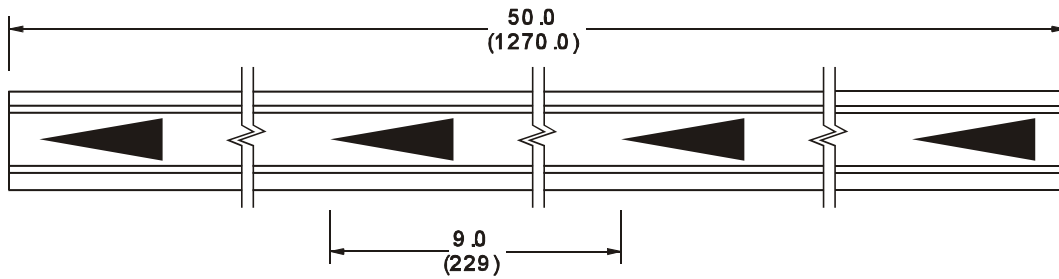
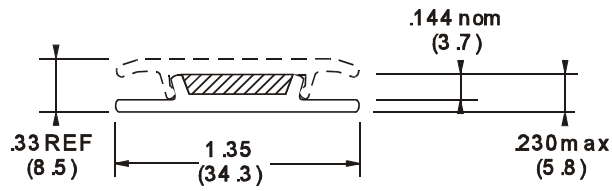
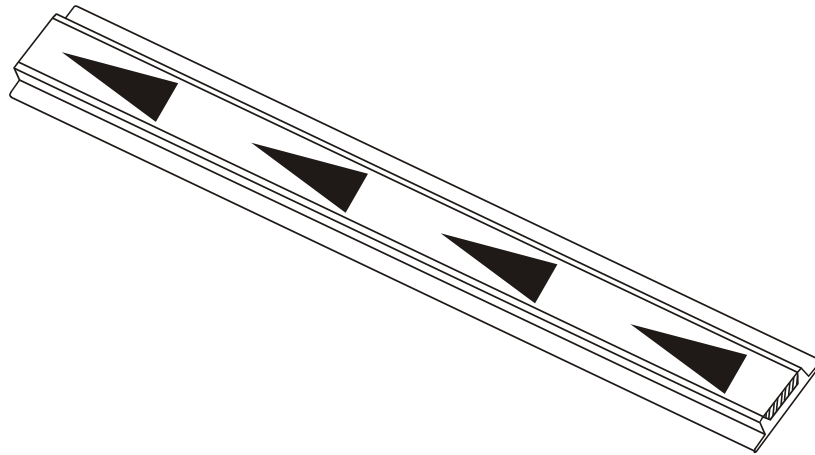


Figure 10004:Illustration for P/N 8164-2

3. Photoluminescent Track with Arrows

8164-2	Floor Track, Bottom, Photoluminescent, with Arrows, 75"			
	Figure N°	10004		
	Size (L)	X = 75" (1905 mm)		
	Overlay	Color	Black	
		Arrows	Yes	
	Weight	11.50 oz	326 g	
	Eligibility	CL-600-2B19		

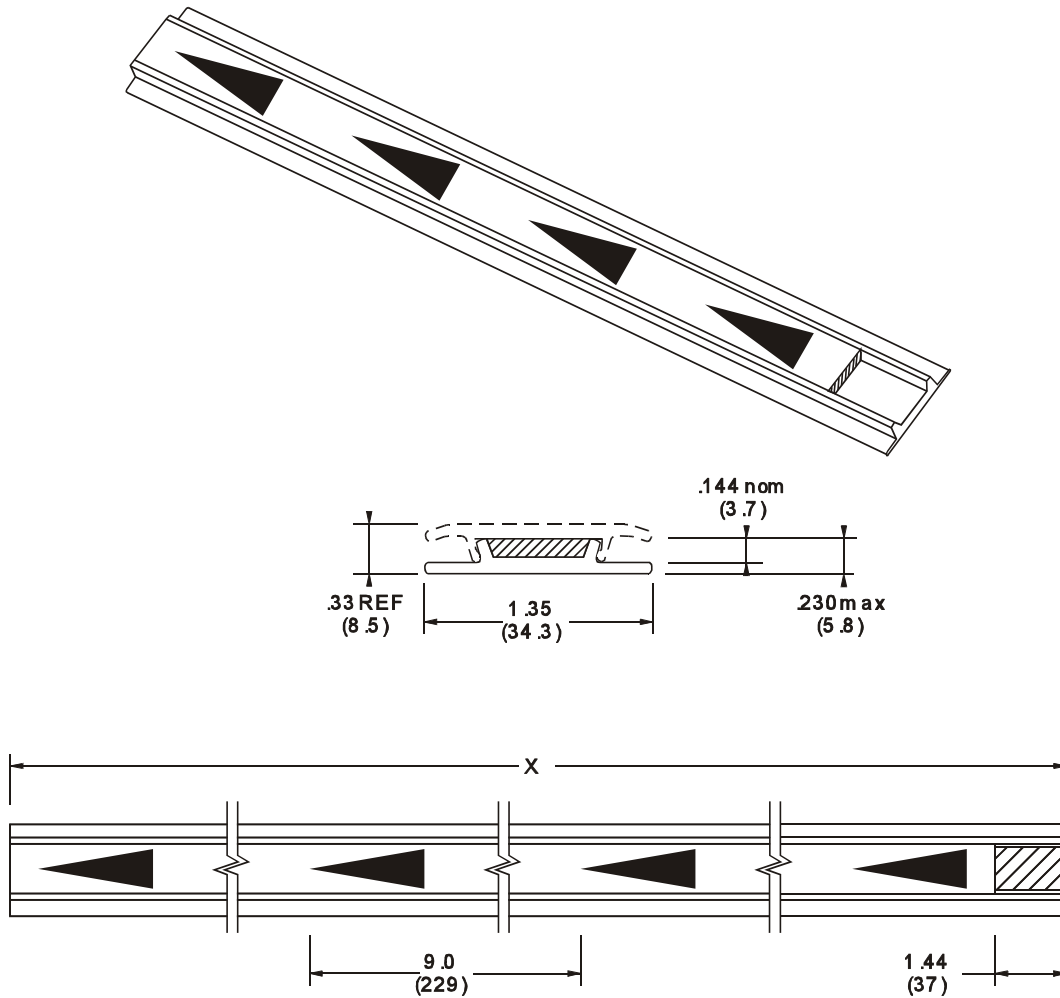


Figure 10005:Illustration for P/N 8170-X

8170-2	Floor Track, Bottom, Photoluminescent, with Arrows, for End Cap, 35"			
	Figure N°	10005		
	Size (L)	X = 35" (889 mm)		
	Overlay	Color	Black	
		Arrows	Yes	
	Weight	5.26 oz	149 g	
	Eligibility	CL-600-2B19		

8170-3	Floor Track, Bottom, Photoluminescent, with Arrows, for End Cap, 50"			
	Figure N°	10005		
	Size (L)	X = 50" (1270 mm)		
	Overlay	Color	Black	
		Arrows	Yes	
	Weight	9.13 oz	259 g	
	Eligibility	CL-600-2B19		

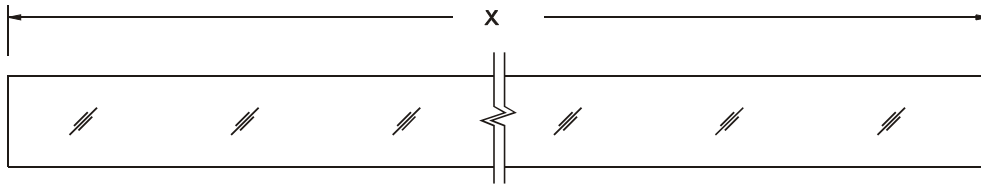
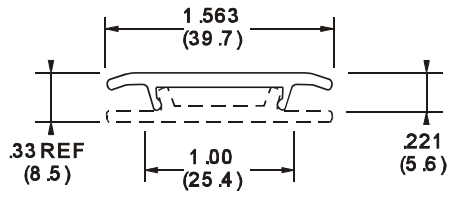
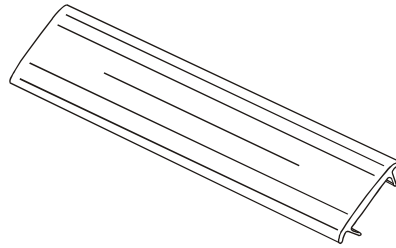


Figure 10006:Illustration for P/N 5872-X

4. Top Track

5872-1	Floor Track, Top, Transparent, 24ft		
	Figure N°	10006	
	Size (L)	X = 24ft (7.3 m)	
	Weight	1.23 oz/ft	114 g/m
	Eligibility	CL-600-2B19	
	Note	Part can be interchanged with 5872-10	

5872-10	Floor Track, Top, Transparent, 100ft		
	Figure N°	10006	
	Size (L)	X = 100ft (30.5 m)	
	Weight	1.23 oz/ft	114 g/m
	Eligibility	CL-600-2B19	
	Note	Part can be interchanged with 5872-1	

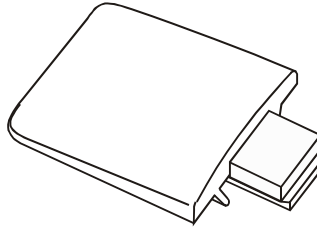


Figure 10007:Illustration for P/N 6144-2

5. Track Accessories

6144-2	Floor Track, End Cap, with Full Flange, with Track Lens Spacer		
	Figure N°	10007	
	Weight	1.69 oz	48 g
	Eligibility	CL-600-2B19	

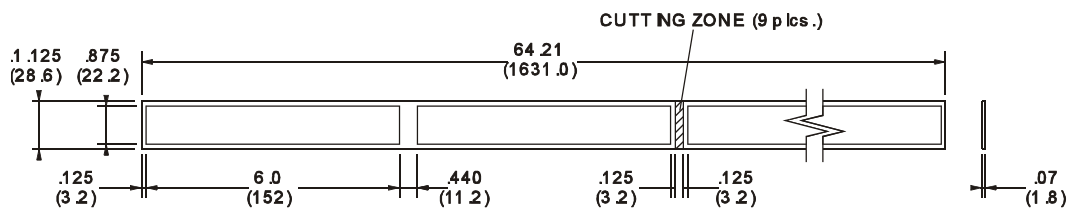
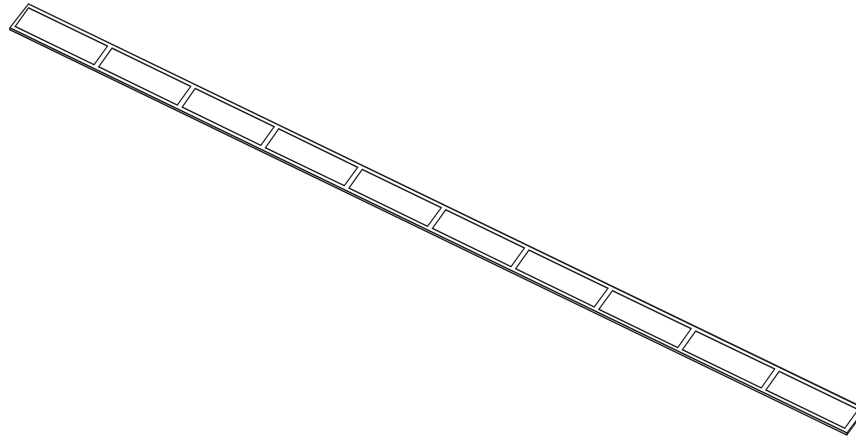


Figure 10008:Illustration for P/N 8011-3

6. Photoluminescent Galley Light

8011-3	Galley Light, Photoluminescent, 10 Segments, 64.21"		
	Figure N°	10008	
	Size (L)	64.21 inch (1631 mm)	
	Weight	.98 oz/ft	91 g/m
	Eligibility	CL-600-2B19	
	Note	Unit may be cut to discrete length by cutting within any cutting zone.	



Figure 10009:Illustration for P/N 8197-1

7. Photoluminescent Seat Marker

8197-1	Seat Marker, Exit, Photoluminescent, English with Arrows Up		
	Figure N°	10009	
	Size (LxW)	5.500 x .698 x .060 inch (139.7x17.7x1.5 mm)	
	Weight	.35 oz	10 g
	Eligibility	CL-600-2B19	

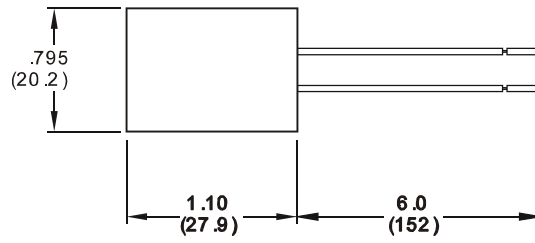
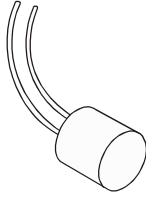


Figure 10010:Illustration for P/N 8226-1

8. Substitute Electrical Load

8226-1	Load, EL Lamp Substitute, 6-18 in ²		
	Figure N°	10010	
	Size (LxW)	.795 x 1.10 inch (20.9x27.9 mm)	
	Weight	. oz	g
	Eligibility	CL-600-2B19	
	Note	Substitute for 6-18 in ² of EL lamps running off DC/AC inverters.	

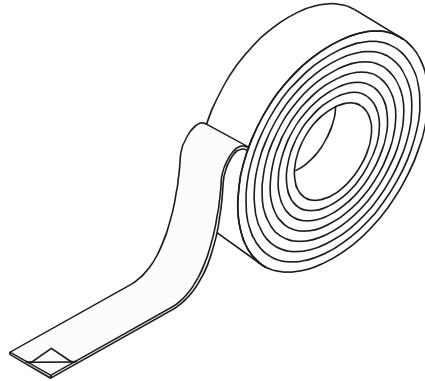


Figure 10011: Illustration for P/N 61426

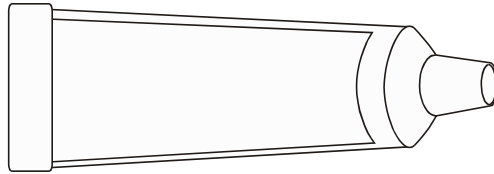


Figure 10012: Illustration for P/N 61901

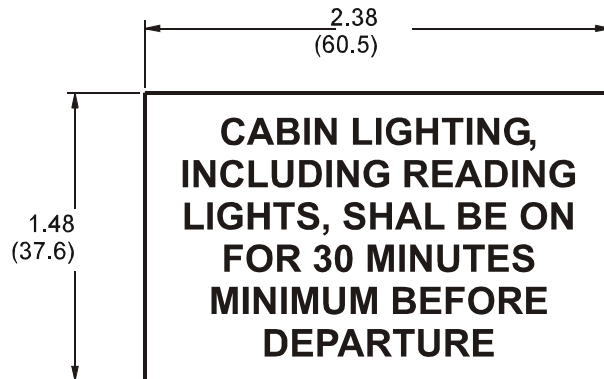


Figure 10013: Illustration for P/N 62464-2

9. Accessories

61426	Carpet Tape, 1"x75ft, Long Roll		
	Figure N°	10011	
	Size (L)	75 ft (23 m)	
	Weight	.00075 oz/ft	.7 g/m
	Eligibility	CL-600-2B19	
	Note	Cut to length as required by the installation.	

61901	RTV Adhesive Sealent, Dow Corning 3145 ,3 fl-oz Tube		
	Figure N°	10012	
	Weight	.60 oz	17 g
	Eligibility	CL-600-2B19	
	Note	Apply as required by the installation.	

62464-2	Placard		
	Figure N°	10013	
	Weight	negligible	
	Eligibility	CL-600-2B19	
	Note		

THIS PAGE INTENTIONALLY LEFT BLANK