

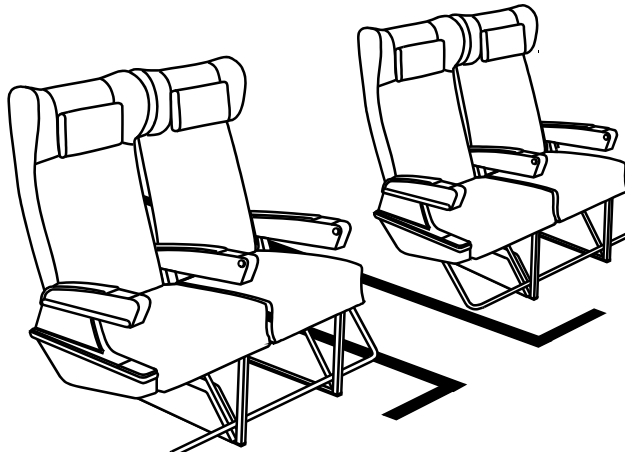


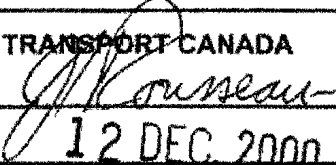
**ILLUSTRATED PARTS CATALOG**

**Floor Mounted Photoluminescent**

**Emergency Egress Lighting (PLEEL) System**

**Bombardier DHC-8-100/200/300 Series Aircraft**



TRANSPORT CANADA	
Approved:	
Date:	12 DEC. 2000

**LUMINESCENT SYSTEMS, Inc.**  
4 Lucent Drive  
Lebanon, NH 03766  
USA

Tel 603 643 7766

Fax 603 643 5947

**V32890**

**33-50-15**

Rev 1, Dec 12, 2000



**COPYRIGHT AND PROPRIETARY**

COPYRIGHT © 2000 Luminescent Systems Inc.

All rights reserved. No part of this document may be reproduced or transmitted in any form or by any means, electronic or mechanical, including photocopying and recording, or by any information storage or retrieval system, without the express written consent of an authorized representative of the Publisher, Luminescent Systems, Inc. (LSI). All correspondence and inquiries should be directed to:

Luminescent Systems, Inc.  
Attn. EEL Program Manager  
4, Lucent Drive  
Lebanon, NH 03766  
USA

**PROPRIETARY**

All illustrations and information within this technical document are the proprietary property of Luminescent Systems, Inc., and shall not be used in whole or in part without the express written consent of an authorized representative of the Publisher:

Luminescent Systems, Inc.  
4, Lucent Drive  
Lebanon, NH 03766  
USA

THIS PAGE INTENTIONALLY LEFT BLANK

### HIGHLIGHTS

■ This document represents the Illustrated Parts Catalog for the LSI Photoluminescent Emergency Egress Lighting (PLEEL) System providing floor mounted Floor Proximity Escape Path Marking in Bombardier DHC-8-100/200/300 Series Aircraft.

THIS PAGE INTENTIONALLY LEFT BLANK



**RECORD OF REVISIONS**

Rev. No.	Issue Date	Inserted		Rev. No.	Issue Date	Inserted	
		Date	By			Date	By
-	Oct 13, 2000						
1	Dec 12, 2000						

THIS PAGE INTENTIONALLY LEFT BLANK





**RECORD OF TEMPORARY REVISIONS**

Rev. No.	Issue Date	Inserted		Rev. No.	Issue Date	Inserted	
		Date	By			Date	By

THIS PAGE INTENTIONALLY LEFT BLANK



**SERVICE BULLETIN LIST**

Service Bulletin No.	Rev. No.	Issue Date	Inserted	
			Date	By

THIS PAGE INTENTIONALLY LEFT BLANK

**LIST OF EFFECTIVE PAGES**

PAGE	NO.	ISSUE
-	Title	Dec 12, 2000
-	(blank)	Oct 13, 2000
CP-1	through CP-1	Oct 13, 2000
CP-2	(blank)	Oct 13, 2000
Highlights 1	through Highlights 1	Dec 12, 2000
Highlights 2	(blank)	Oct 13, 2000
ROR-1	through ROR-1	Dec 12, 2000
ROR-2	(blank)	Oct 13, 2000
RTR-1	through RTR-1	Oct 13, 2000
RTR-2	(blank)	Oct 13, 2000
SBL-1	through SBL-1	Oct 13, 2000
SBL-2	(blank)	Oct 13, 2000
LEP-1	through LEP-1	Dec 12, 2000
LEP-2	(blank)	Oct 13, 2000
TOC-1	through TOC-1	Dec 12, 2000
TOC-2	(blank)	Oct 13, 2000
LOF-1	through LOF-1	Dec 12, 2000
LOF-2	(blank)	Oct 13, 2000
LOT-1	through LOT-1	Oct 13, 2000
LOT-2	(blank)	Oct 13, 2000
1	through 1	Oct 13, 2000
2	through 4	Dec 12, 2000
5	(blank)	Oct 13, 2000
6	through 21	Oct 13, 2000
22	through 25	Dec 12, 2000
26	(blank)	Dec 12, 2000

THIS PAGE INTENTIONALLY LEFT BLANK

**TABLE OF CONTENTS**

SUBJECT	PAGE
COPYRIGHT AND PROPRIETARY .....	CP-1
HIGHLIGHTS .....	HIGHLIGHTS-1
RECORD OF REVISIONS .....	ROR-1
RECORD OF TEMPORARY REVISIONS .....	RTR-1
SERVICE BULLETIN LIST .....	SBL-1
LIST OF EFFECTIVE PAGES .....	LEP-1
TABLE OF CONTENTS .....	TOC-1
LIST OF FIGURES .....	LOF-1
LIST OF TABLES .....	LOT-1
ILLUSTRATED PARTS CATALOG .....	1
Master Locators .....	3
Photoluminescent Track .....	7
8163-1 Floor Track, Bottom, Photoluminescent, 75" .....	7
8169-1 Floor Track, Bottom, Photoluminescent, for End Cap, 35" .....	9
8169-2 Floor Track, Bottom, Photoluminescent, for End Cap, 18" .....	9
Photoluminescent Track with Arrows .....	11
8164-1 Floor Track, Bottom, Photoluminescent, with Arrows, 50" .....	11
8164-2 Floor Track, Bottom, Photoluminescent, with Arrows, 75" .....	11
8170-1 Floor Track, Bottom, Photoluminescent, with Arrows, for End Cap, 45" .....	13
8170-2 Floor Track, Bottom, Photoluminescent, with Arrows, for End Cap, 35" .....	13
Top Track .....	15
5872-1 Floor Track, Top, Transparent, 24ft .....	15
5872-10 Floor Track, Top, Transparent, 100ft .....	15
Track Accessories .....	17
6144-2 Floor Track, End Cap, with Full Flange, with Track Lens Spacer .....	17
Photoluminescent Galley Light .....	19
8011-3 Galley Light, Photoluminescent, 10 Segments .....	19
Photoluminescent Galley Light with Arrows .....	21
8165-1 Galley Light, Photoluminescent, 10 Segments, with Arrows .....	21
Photoluminescent Seat Marker .....	23
8197-1 Seat Marker, Exit, Photoluminescent, English with Arrows .....	23
Accessories .....	25
61426 Carpet Tape, 1"x75ft, Long Roll .....	25
61901 RTV Adhesive Sealent, Dow Corning 3145 ,3 fl-oz Tube .....	25
62464 Placard .....	25

THIS PAGE INTENTIONALLY LEFT BLANK



**LIST OF FIGURES**

FIGURE	DESCRIPTION	PAGE
Figure 10001:	Master Locator DHC-8-100/200 .....	2
Figure 10002:	Master Locator DHC-8-300 .....	4
Figure 10003:	Illustration for P/N 8163-1 .....	6
Figure 10004:	Illustration for P/N 8169-X .....	8
Figure 10005:	Illustration for P/N 8164-X .....	10
Figure 10006:	Illustration for P/N 8170-X .....	12
Figure 10007:	Illustration for P/N 5872-X .....	14
Figure 10008:	Illustration for P/N 6144-2 .....	16
Figure 10009:	Illustration for P/N 8011-3 .....	18
Figure 10010:	Illustration for P/N 8165-1 .....	20
Figure 10011:	Illustration for P/N 8197-1 .....	22
Figure 10012:	Illustration for P/N 61426 .....	24
Figure 10013:	Illustration for P/N 61901 .....	24
Figure 10014:	Illustration for P/N 62464 .....	24

THIS PAGE INTENTIONALLY LEFT BLANK

**LIST OF TABLES**

TABLE N°	TITLE	PAGE
----------	-------	------

THIS PAGE INTENTIONALLY LEFT BLANK

**ILLUSTRATED PARTS CATALOG**

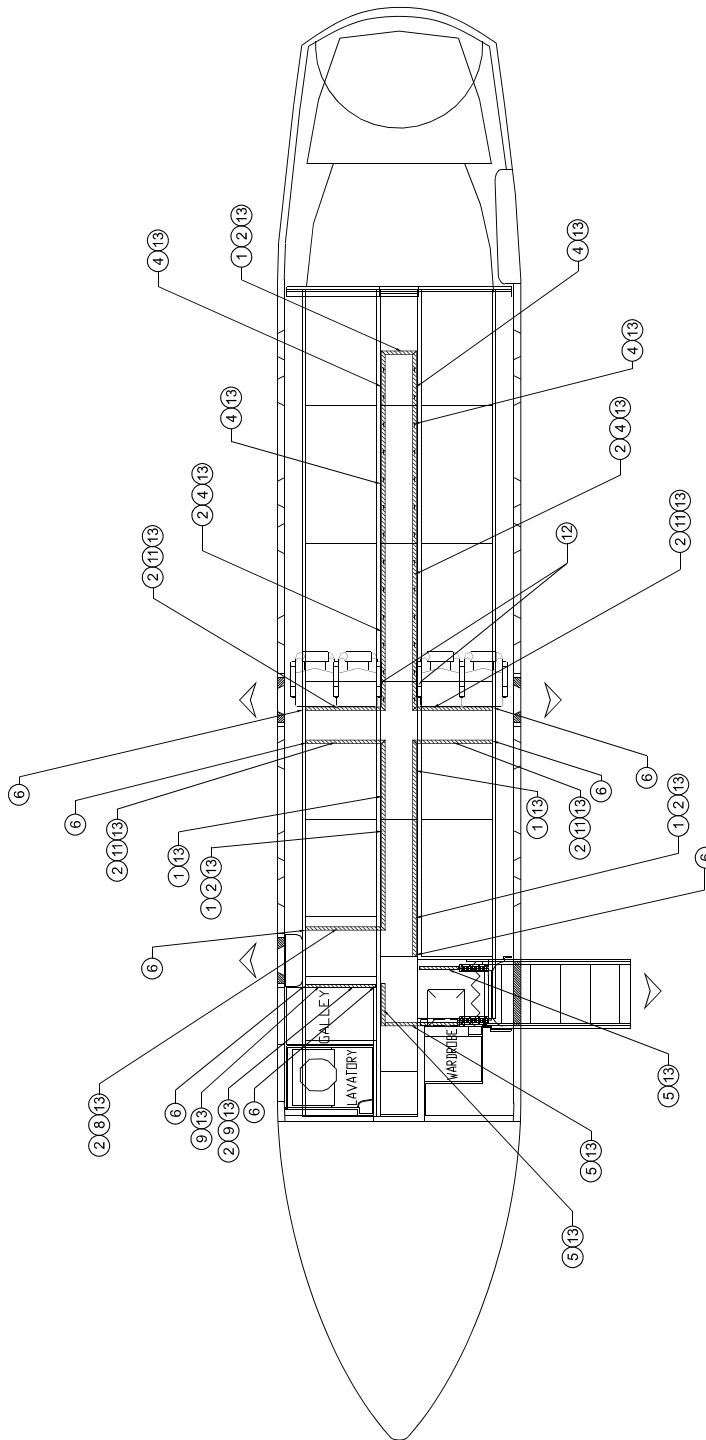


Figure 10001:Master Locator DHC-8-100/200

1. Master Locators

Item	P/N	Description
1	8163-1 (*)	Floor Track, Bottom, Photoluminescent, 75"
2	5872-1 (*)	Floor Track, Top, Transparent, 100ft
3	8164-1 (*)	Floor Track, Bottom, Photoluminescent, with Arrows, 50"
4	8164-2 (*)	Floor Track, Bottom, Photoluminescent, with Arrows, 75"
5	8011-3 (*)	Galley Light, Photoluminescent, 10 Segments
6	6144-2	Floor Track, End Cap, with Full Flange, with Track Lens Spacer
7	8165-1 (*)	Galley Light, Photoluminescent, 10 Segments, with Arrows
8	8169-1 (*)	Floor Track, Bottom, Photoluminescent, for End Cap, 35"
9	8169-2 (*)	Floor Track, Bottom, Photoluminescent, for End Cap, 18"
10	8170-1 (*)	Floor Track, Bottom, Photoluminescent, with Arrows, for End Cap, 45"
11	8170-2 (*)	Floor Track, Bottom, Photoluminescent, with Arrows, for End Cap, 35"
12	8197-1	Seat Marker, Exit, Photoluminescent, Black, English with Arrows Up
13	61426	Carpet Tape, 1"x75ft, long roll
14	61901	RTV Adhesive Sealent, Dow Corning 3145, 3fl-oz Tube
15	62464	Placard

(\*) Cut to length as required by the installation.

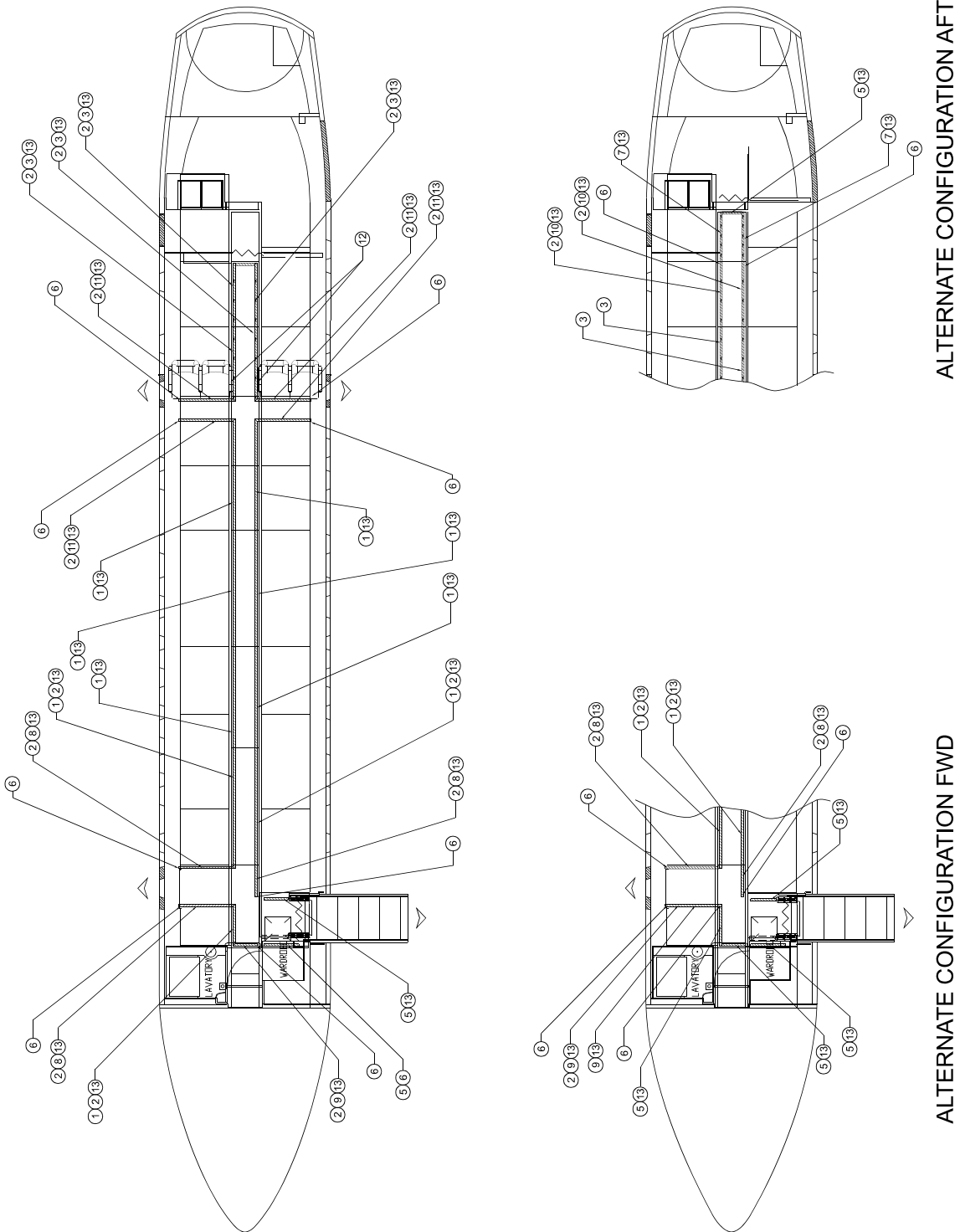


Figure 10002:Master Locator DHC-8-300



THIS PAGE INTENTIONALLY LEFT BLANK

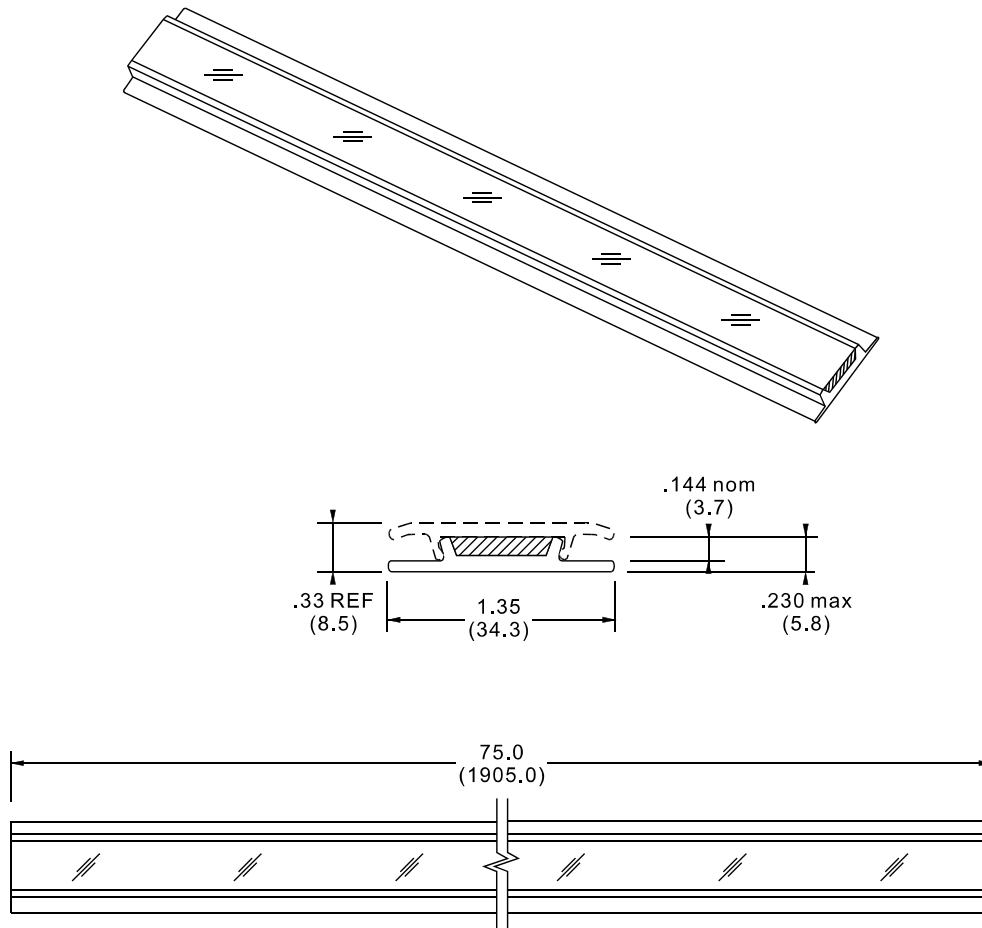


Figure 10003:Illustration for P/N 8163-1

2. Photoluminescent Track

8163-1	Floor Track, Bottom, Photoluminescent, 75"		
	Figure N°	10003	
	Size (L)	X = 75" (1905 mm)	
	Weight	11.50 oz	326 g
	Eligibility	DHC-8-100/200/300	

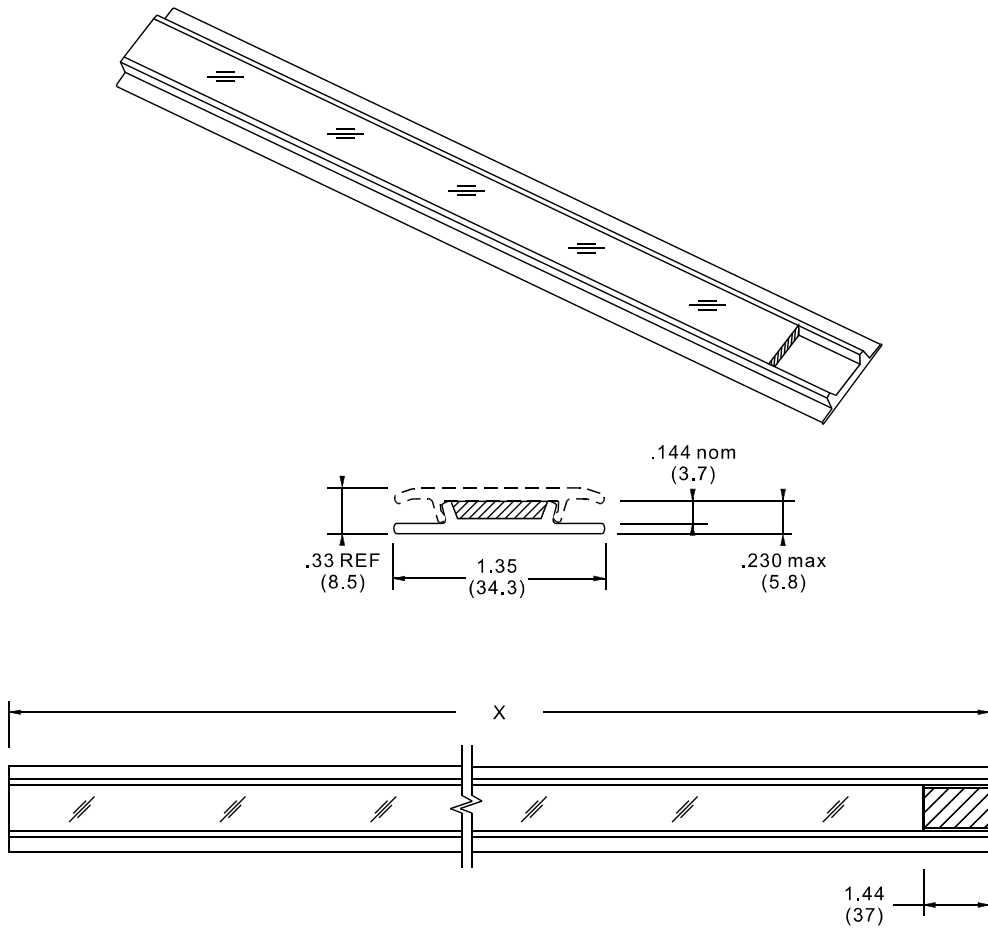


Figure 10004:Illustration for P/N 8169-X

8169-1	Floor Track, Bottom, Photoluminescent, for End Cap, 35"		
	Figure N°	10004	
	Size (L)	X = 35" (889 mm)	
	Weight	5.26 oz	149 g
	Elegibility	DHC-8-100/200/300	

8169-2	Floor Track, Bottom, Photoluminescent, for End Cap, 18"		
	Figure N°	10004	
	Size (L)	X = 18" (457 mm)	
	Weight	2.65 oz	75 g
	Elegibility	DHC-8-300	

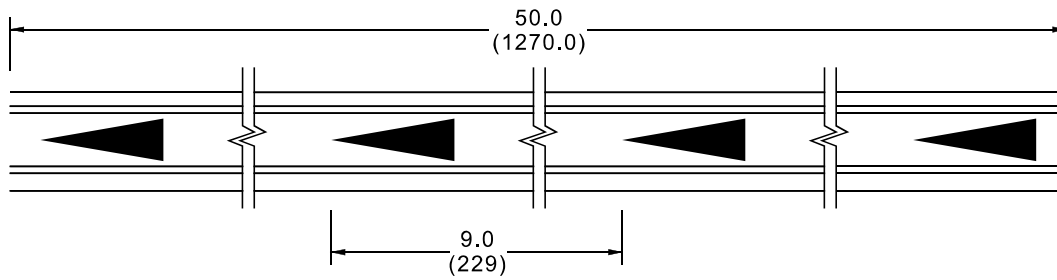
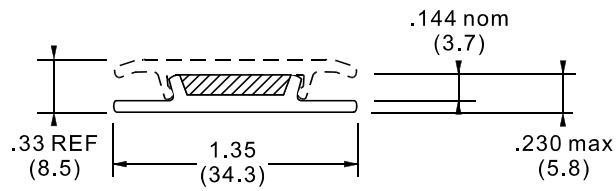
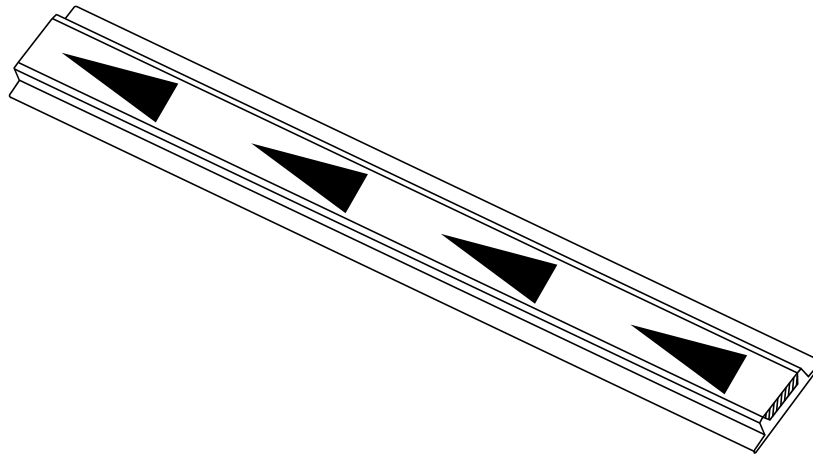


Figure 10005:Illustration for P/N 8164-X

3. Photoluminescent Track with Arrows

8164-1	Floor Track, Bottom, Photoluminescent, with Arrows, 50"			
	Figure N°	10005		
	Size (L)	X = 50" (1270 mm)		
	Overlay	Color	Black	
		Arrows	Yes	
	Weight	7.65 oz	217 g	
	Elegibility	DHC-8-300		

8164-2	Floor Track, Bottom, Photoluminescent, with Arrows, 75"			
	Figure N°	10005		
	Size (L)	X = 75" (1905 mm)		
	Overlay	Color	Black	
		Arrows	Yes	
	Weight	11.50 oz	326 g	
	Elegibility	DHC-8-100/200		

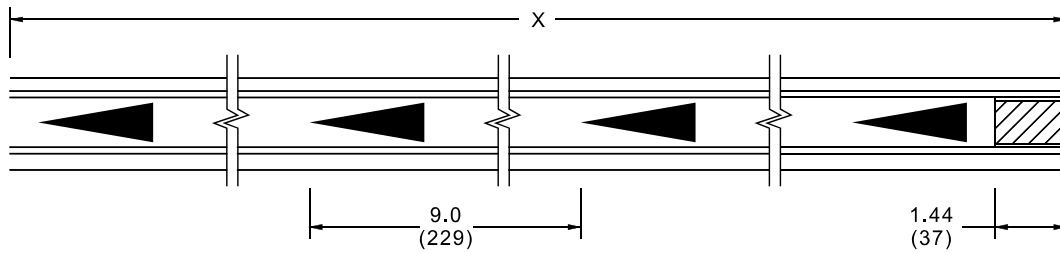
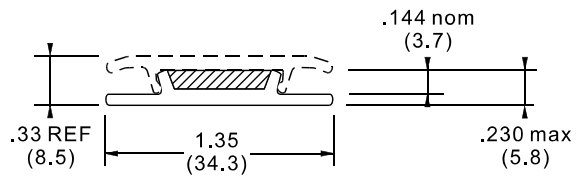
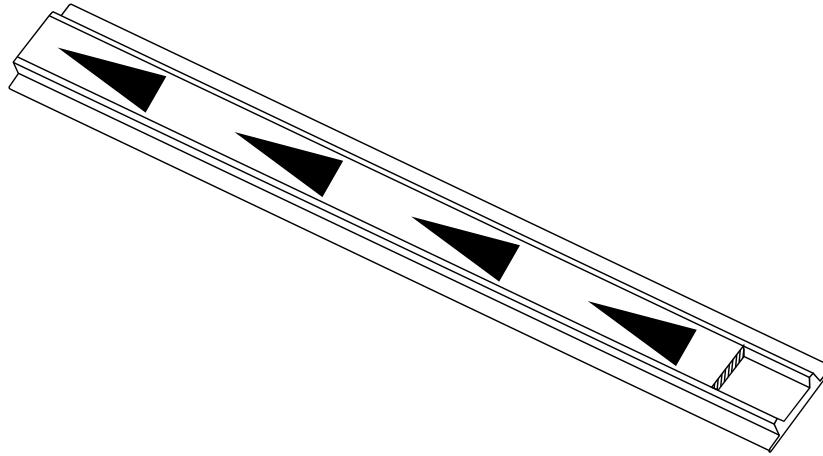


Figure 10006:Illustration for P/N 8170-X



8170-1	Floor Track, Bottom, Photoluminescent, with Arrows, for End Cap, 45"			
	Figure N°	10006		
	Size (L)	X = 45" (1143 mm)		
	Overlay	Color	Black	
		Arrows	Yes	
	Weight	8.22 oz	233 g	
	Elegibility	DHC-8-300		

8170-2	Floor Track, Bottom, Photoluminescent, with Arrows, for End Cap, 35"			
	Figure N°	10006		
	Size (L)	X = 35" (889 mm)		
	Overlay	Color	Black	
		Arrows	Yes	
	Weight	5.26 oz	149 g	
	Elegibility	DHC-8-100/200/300		

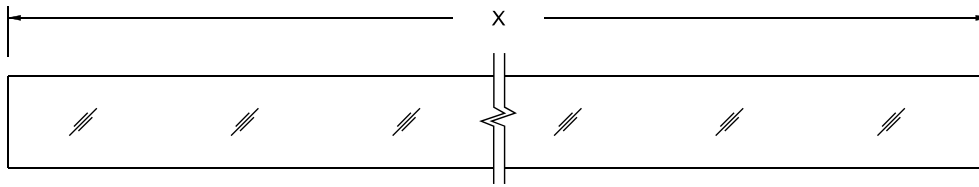
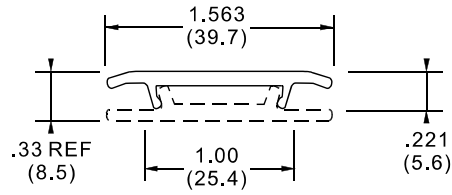
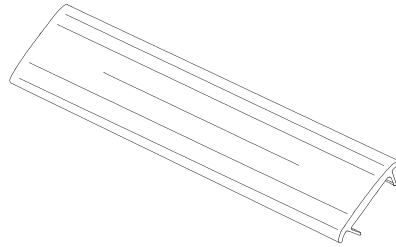


Figure 10007:Illustration for P/N 5872-X

4. Top Track

5872-1	Floor Track, Top, Transparent, 24ft		
	Figure N°	10007	
	Size (L)	X = 24ft (7.3 m)	
	Weight	1.23 oz/ft	114 g/m
	Elegibility	DHC-8-100/200/300	
	Note	Part can be interchanged with 5872-10	

5872-10	Floor Track, Top, Transparent, 100ft		
	Figure N°	10007	
	Size (L)	X = 100ft (30.5 m)	
	Weight	1.23 oz/ft	114 g/m
	Elegibility	DHC-8-100/200/300	
	Note	Part can be interchanged with 5872-1	

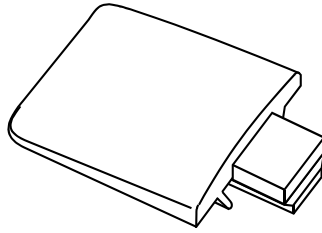


Figure 10008:Illustration for P/N 6144-2

5. Track Accessories

6144-2	Floor Track, End Cap, with Full Flange, with Track Lens Spacer		
	Figure N°	10008	
	Weight	1.69 oz	48 g
	Elegibility	DHC-8-100/200/300	

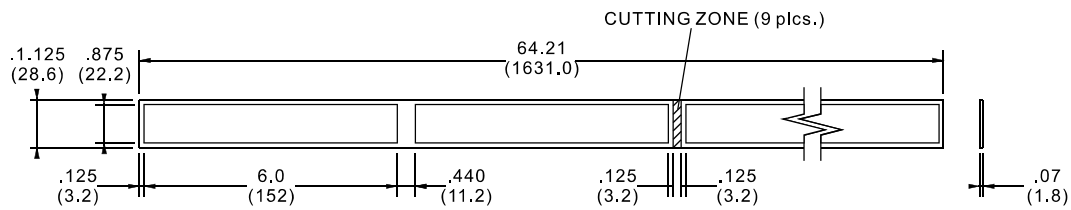
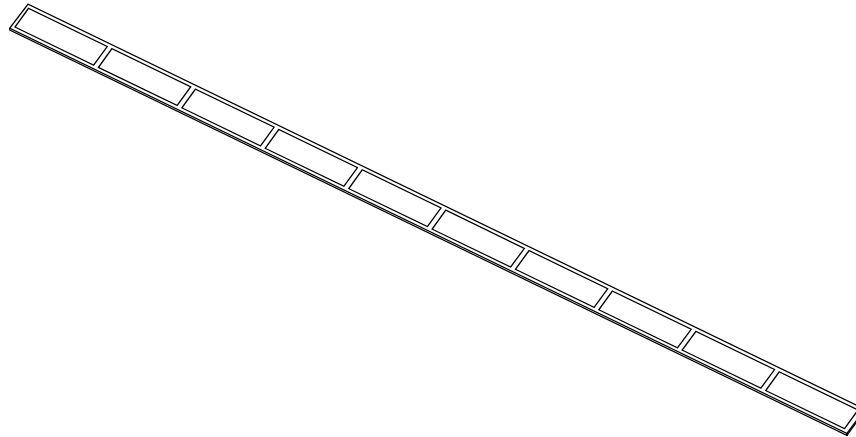


Figure 10009:Illustration for P/N 8011-3

6. Photoluminescent Galley Light

8011-3	Galley Light, Photoluminescent, 10 Segments		
	Figure N°	10009	
	Size (L)	64.21 inch (1631 m)	
	Weight	.98 oz/ft	91 g/m
	Eligibility	DHC-8-100/200/300	
	Note	Unit may be cut to discrete length by cutting within any cutting zone.	

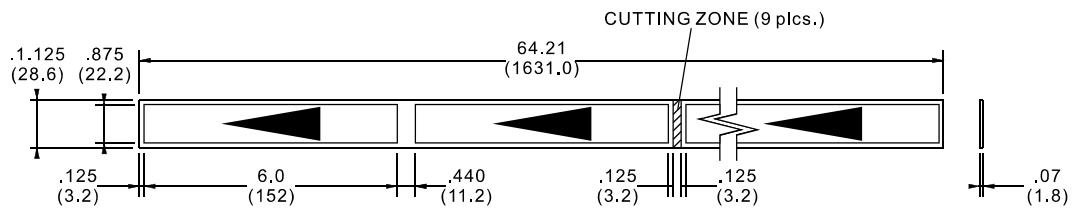


Figure 10010:Illustration for P/N 8165-1



7. Photoluminescent Galley Light with Arrows

8165-1	Galley Light, Photoluminescent, 10 Segments, with Arrows		
	Figure N°	10010	
	Size (L)	64.21 inch (1631 m)	
	Weight	.98 oz/ft	91 g/m
	Elegibility	DHC-8-300	
	Note	Unit may be cut to discrete length by cutting within any cutting zone.	

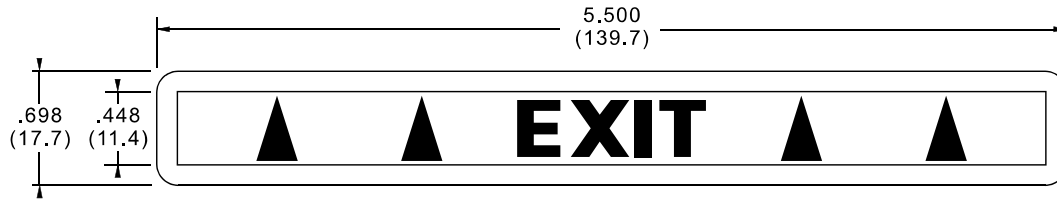


Figure 10011:Illustration for P/N 8197-1

8. Photoluminescent Seat Marker

8197-1	Seat Marker, Exit, Photoluminescent, English with Arrows Up		
	Figure N°	10011	
	Size (LxW)	5.500 x .698 x .060 inch (139.7x17.7x1.5 mm)	
	Weight	.35 oz	10 g
	Eligibility	DHC-8-100/200/300	
	Note		

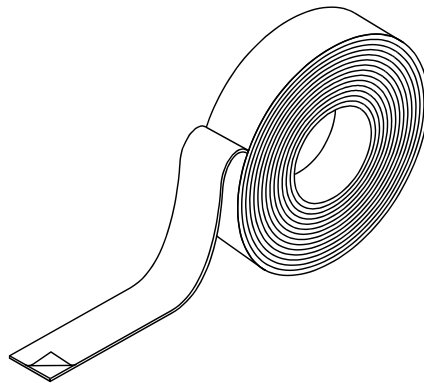


Figure 10012:Illustration for P/N 61426

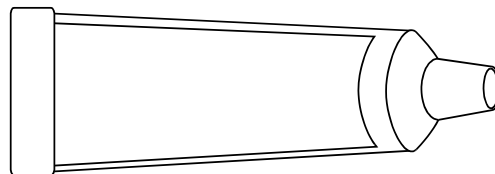


Figure 10013:Illustration for P/N 61901



Figure 10014:Illustration for P/N 62464

9. Accessories

61426	Carpet Tape, 1"x75ft, Long Roll		
	Figure N°	10012	
	Size (L)	75 ft (23 m)	
	Weight	.00075 oz/ft	.7 g/m
	Elegibility	DHC-8-100/200/300	
	Note	Cut to length as required by the installation.	

61901	RTV Adhesive Sealent, Dow Corning 3145 ,3 fl-oz Tube		
	Figure N°	10013	
	Weight	.60 oz	17 g
	Elegibility	DHC-8-100/200/300	
	Note	Apply as required by the installation.	

62464	Placard		
	Figure N°	10014	
	Weight	negligible	
	Elegibility	DHC-8-100/200/300	
	Note		

THIS PAGE INTENTIONALLY LEFT BLANK