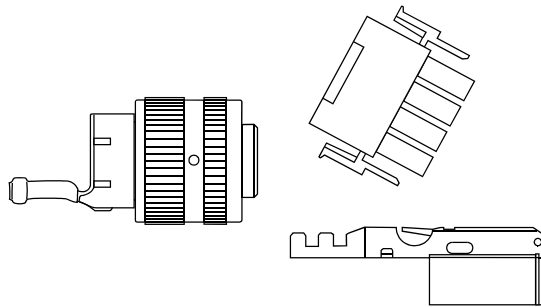


ILLUSTRATED PARTS CATALOG

Connectors for Emergency Egress Lighting (EEL) Systems



LUMINESCENT SYSTEMS, Inc.
4, Lucent Drive
Lebanon, NH 03766
USA

☎ 603 643 7766
Fax 603 643 5947

Luminescent Systems, Inc.
Connectors
ILLUSTRATED PARTS CATALOG

COPYRIGHT AND PROPRIETARY

COPYRIGHT 1999 Luminescent Systems, Inc.

All rights reserved. No part of this document may be reproduced or transmitted in any form or by any means, electronic or mechanical, including photocopying and recording, or by any information storage or retrieval system, without the express written consent of an authorized representative of the Publisher, Luminescent Systems, Inc. (LSI). All correspondence and inquiries should be directed to:

Luminescent Systems, Inc.
Attn. EEL Program Manager
4, Lucent Drive
Lebanon, NH 03766
USA

PROPRIETARY

All illustrations and information within this technical document are the proprietary property of Luminescent Systems, Inc., and shall not be used in whole or in part without the express written consent of an authorized representative of the Publisher:

Luminescent Systems, Inc.
4, Lucent Drive
Lebanon, NH 03766
USA

Luminescent Systems, Inc.
Connectors
ILLUSTRATED PARTS CATALOG

THIS PAGE INTENTIONALLY LEFT BLANK

Luminescent Systems, Inc.
Connectors
ILLUSTRATED PARTS CATALOG

HIGHLIGHTS WITH RESPECT TO REVISION N° 0

This revision is the initial release of this document.

It is to be used in combination with LSI's Floor Mounted, Seat Mounted and Photoluminescent Emergency Egress Lighting (EEL) Systems providing Floor Proximity Escape Path Marking in fixed wing aircraft in accordance with FAR/JAR and CAA regulations.

Luminescent Systems, Inc.
Connectors
ILLUSTRATED PARTS CATALOG

THIS PAGE INTENTIONALLY LEFT BLANK

Luminescent Systems, Inc.
Connectors
ILLUSTRATED PARTS CATALOG

THIS PAGE INTENTIONALLY LEFT BLANK

Luminescent Systems, Inc.
Connectors
ILLUSTRATED PARTS CATALOG

THIS PAGE INTENTIONALLY LEFT BLANK

Luminescent Systems, Inc.
Connectors
ILLUSTRATED PARTS CATALOG

THIS PAGE INTENTIONALLY LEFT BLANK

Luminescent Systems, Inc.
Connectors
ILLUSTRATED PARTS CATALOG

LIST OF EFFECTIVE PAGES

PAGE	NO.	ISSUE NO.	ISSUE
-	Title	-	May 1, 1999
-	(blank)	-	May 1, 1999
CP-1	through CP-1	-	May 1, 1999
CP-2	(blank)	-	May 1, 1999
Highlights 1	through Highlights 1	-	May 1, 1999
Highlights 2	(blank)	-	May 1, 1999
ROR-1	through ROR-1	-	May 1, 1999
ROR-2	(blank)	-	May 1, 1999
RTR-1	through RTR-1	-	May 1, 1999
RTR-2	(blank)	-	May 1, 1999
SBL-1	through SBL-1	-	May 1, 1999
SBL-2	(blank)	-	May 1, 1999
LEP-1	through LEP-1	-	May 1, 1999
LEP-2	(blank)	-	May 1, 1999
TOC-1	through TOC-2	-	May 1, 1999
LOF-1	through LOF-2	-	May 1, 1999
LOT-1	through LOT-1	-	May 1, 1999
LOT-2	(blank)	-	May 1, 1999
1	through 4	-	May 1, 1999
1001	through 1079	-	May 1, 1999
1080	(blank)	-	May 1, 1999
2001	through 2031	-	May 1, 1999
2032	(blank)	-	May 1, 1999
3001	through 3033	-	May 1, 1999
3034	(blank)	-	May 1, 1999

Luminescent Systems, Inc.
Connectors
ILLUSTRATED PARTS CATALOG

THIS PAGE INTENTIONALLY LEFT BLANK

Luminescent Systems, Inc.
Connectors
ILLUSTRATED PARTS CATALOG

TABLE OF CONTENTS

SUBJECT	PAGE
COPYRIGHT AND PROPRIETARY	CP-1
HIGHLIGHTS WITH RESPECT TO REVISION N° 0	HIGHLIGHTS-1
RECORD OF REVISIONS	ROR-1
RECORD OF TEMPORARY REVISIONS	RTR-1
SERVICE BULLETIN LIST	SBL-1
LIST OF EFFECTIVE PAGES	LEP-1
TABLE OF CONTENTS	LEP-1
LIST OF FIGURES	TOC-1
LIST OF TABLES	LOF-1
CONNECTORS MANUFACTURERS/SUPPLIERS	1
Manufacturer/Supplier Addresses	1
Cross Reference Table of Available Sources	4
CONNECTORS & ACCESSORIES	1001
5935-1 Connector Housing, Receptacle, 1 Leg, for Flat Cable	1003
60041 Connector Housing, Receptacle, Mate-N-Lock, 4 Contacts	1005
60043 Connector Housing, Receptacle, Mate-N-Lock, 12 Contacts	1007
60047 Connector Housing, Plug, Mate-N-Lock, 4 Contacts	1009
60049 Connector Housing, Plug, Mate-N-Lock, 12 Contacts	1011
60123 Connector Housing, Receptacle, 10 Contacts	1013
60136 Connector Housing, Receptacle, 12 Contacts	1015
60144 Connector Housing, Receptacle, for Flat Cable	1017
60152 Connector Housing, Plug, 12 Contacts	1019
60178 Connector Housing, Plug, MIL-C-26500, 6 Contacts	1021
60184 Connector Housing, Plug, Wire Splice	1023
60185 Connector Housing, Receptacle, Wire Splice	1025
60200 Connector Housing, Plug, MIL-C-26500, 12 Contacts	1027
60202 Connector Housing, Plug, MIL-C-26500, 12 Contacts	1029
60203 Connector Housing, Plug, MIL-C-26500, 12 Contacts	1031
60206 Connector Housing, Plug, MIL-C-26500, 12 Contacts	1033
60207 Connector Housing, Plug, MIL-C-26500, 12 Contacts	1035
60208 Connector Housing, Plug, MIL-C-26500, 12 Contacts	1037
60228 Connector Housing, Plug, for Flat Cable	1039
60250 Connector Housing, Receptacle, Box Mount, 6 Contacts	1041
60450 Connector Housing, Plug, MIL-C-26482 Series II, 3 Contacts	1043
60470 Connector Housing, Receptacle, Wall Mount, MIL-C-26500, 5 Contacts	1045
60488 Backshell, Clamp, Straight, Quick-Tie	1047
60516 Connector Housing, Plug, 2 Contacts	1049
60517 Connector Housing, Receptacle, 2 Contacts	1051
60544 Cap, for Connector Housing LSI #60516	1053
60587 Connector Housing, Receptacle, MIL-C-26500, 12 Contacts	1055
60588 Connector Housing, Receptacle	1057
60629 Connector Housing, Receptacle, Jam Nut, MIL-C-83723 Series I, 6 Contacts ...	1059
61117 Connector Housing, Plug, MIL-C-38999 Series II, 6 Contacts	1061
61122 Backshell, Straight, Quick-Tie	1063
61860 Connector Housing, Receptacle, Box Mount, MIL-C-38999 Series II,	1065
61863 Connector Housing, Plug, MIL-C-38999 Series II	1067
61886 Connector Housing, Plug, Mini Mate-N-Lok, 2 Contacts	1069
61888 Connector Housing, Cap, Mini Mate-N-Lok, 2 Contacts	1071
61952 Connector Housing, Receptacle, Box Mount, MIL-C-38999, Series II	1073
62019 Backshell, Straight, Quick-Tie	1075

Luminescent Systems, Inc.
Connectors
ILLUSTRATED PARTS CATALOG

TABLE OF CONTENTS

SUBJECT	PAGE
62020 Backshell, Straight, Quick-Tie	1077
62086 Connector Housing, Plug, Airbus ASNE0052, 3 Contacts	1079
CONTACTS & ACCESSORIES	2001
60045 Contact, FFC, Socket	2003
60050 Contact, Pin	2005
60051 Contact, Socket	2007
60120 Contact, Pin, MIL-C-39029	2009
60122 Contact, Socket, MIL-C-39029	2011
60182 Contact, Pin, Boeing BACC47CN	2013
60183 Contact, Socket, Boeing BACC47CP	2015
60218 Contact, Pin, MIL-C-39029	2017
60286 Contact, Pin, MIL-C-26482G	2019
61317 Sleeve, Wire Gauge Adaptor, for 20AWG Contacts to 22AWG Wires	2021
61547 Contact, Terminal Pin, MIL-C-39029, for MIL-T-81714 Series Splices	2023
61887 Contact, Socket, 2 Wire (22 AWG), Duplex Finish	2025
61889 Contact, Pin, 2 Wire (22 AWG), Duplex Finish	2027
62046 Contact, Socket, 1 Wire (22 AWG), Duplex Finish	2029
62047 Contact, Pin, 1 Wire (22 AWG), Duplex Finish	2031
CONNECTOR TOOLS	3001
M22520/1-01 Crimptool, 8 Impressions	3003
M22520/1-02 Positioner, Turret Head, 12-26 AWG	3005
M81969/17-04 Contact Insertion Tool	3007
M81969/19-08 Contact Extraction Tool	3009
M81969/17-03 Contact Insertion Tool	3011
M81969/19-07 Contact Extraction Tool	3013
M81969/8-207 Contact Insertion Tool	3015
M81969/8-208 Contact Extraction Tool	3017
M81969/8-205B Contact Insertion Tool	3019
M81969/8-206B Contact Extraction Tool	3021
90710-2 Crimptool, AMP Mini-Mate-N-LOK	3023
90711-2 Crimptool, AMP Mini-Mate-N-LOK	3025
189727-1 Contact Extraction Tool, AMP Mini-Mate-N-LOK	3027
458994-2 Contact Extraction Tool, AMP Mate-N-LOK	3029
455830-1 Contact Insertion Tool, AMP Mini-Mate-N-LOK	3031
455830-2 Contact Insertion Tool, AMP Mate-N-LOK	3033

Luminescent Systems, Inc.
Connectors
ILLUSTRATED PARTS CATALOG

LIST OF FIGURES

FIGURE N° & TITLE	PAGE
Figure 1001: Illustration for P/N 5935-1	1002
Figure 1002: Illustration of P/N 60041	1004
Figure 1003: Illustration of P/N 60043	1006
Figure 1004: Illustration of P/N 60047	1008
Figure 1005: Illustration of P/N 60049	1010
Figure 1006: Illustration of P/N 60123	1012
Figure 1007: Illustration of P/N 60136	1014
Figure 1008: Illustration for P/N 60144	1016
Figure 1009: Illustration of P/N 60152	1018
Figure 1010: Illustration of P/N 60178	1020
Figure 1011: Illustration of P/N 60184	1022
Figure 1012: Illustration of P/N 60185	1024
Figure 1013: Illustration of P/N 60200	1026
Figure 1014: Illustration of P/N 60202	1028
Figure 1015: Illustration of P/N 60203	1030
Figure 1016: Illustration of P/N 60206	1032
Figure 1017: Illustration of P/N 60207	1034
Figure 1018: Illustration of P/N 60208	1036
Figure 1019: Illustration for P/N 60228	1038
Figure 1020: Illustration of P/N 60250	1040
Figure 1021: Illustration for P/N 60450	1042
Figure 1022: Illustration for P/N 60470	1044
Figure 1023: Illustration of P/N 60488	1046
Figure 1024: Illustration of P/N 60516	1048
Figure 1025: Illustration of P/N 60517	1050
Figure 1026: Illustration of P/N 60544	1052
Figure 1027: Illustration of P/N 60587	1054
Figure 1028: Illustration of P/N 60588	1056
Figure 1029: Illustration of P/N 60629	1058
Figure 1030: Illustration of P/N 61117	1060
Figure 1031: Illustration of P/N 61122	1062
Figure 1032: Illustration of P/N 61860	1064
Figure 1033: Illustration of P/N 61863	1066
Figure 1034: Illustration of P/N 61886	1068
Figure 1035: Illustration of P/N 61888	1070
Figure 1036: Illustration of P/N 61952	1072
Figure 1037: Illustration of P/N 62019	1074
Figure 1038: Illustration of P/N 62020	1076
Figure 1039: Illustration for P/N 62086	1078
Figure 2001: Illustration of P/N 60045	2002
Figure 2002: Illustration of P/N 60050	2004
Figure 2003: Illustration of P/N 60051	2006
Figure 2004: Illustration of P/N 60120	2008
Figure 2005: Illustration of P/N 60122	2010
Figure 2006: Illustration of P/N 60182	2012
Figure 2007: Illustration of P/N 60183	2014
Figure 2008: Illustration of P/N 60218	2016
Figure 2009: Illustration of P/N 60286	2018
Figure 2010: Illustration of P/N 61317	2020
Figure 2011: Illustration of P/N 61547	2022
Figure 2012: Illustration of P/N 61887	2024

Luminescent Systems, Inc.
Connectors
ILLUSTRATED PARTS CATALOG

LIST OF FIGURES

FIGURE N° & TITLE	PAGE
Figure 2013: Illustration of P/N 61889	2026
Figure 2014: Illustration of P/N 62046	2028
Figure 2015: Illustration of P/N 62047	2030
Figure 3001: Illustration of P/N M22520/1-01	3002
Figure 3002: Illustration of P/N M22520/1-02	3004
Figure 3003: Illustration of P/N M81969/17-04	3006
Figure 3004: Illustration of P/N M81969/19-08	3008
Figure 3005: Illustration of P/N M81969/17-03	3010
Figure 3006: Illustration of P/N M81969/19-07	3012
Figure 3007: Illustration of P/N M81969/8-206B	3014
Figure 3008: Illustration of P/N M81969/8-208	3016
Figure 3009: Illustration of P/N M81969/8-205B	3018
Figure 3010: Illustration of P/N M81969/8-206B	3020
Figure 3011: Illustration of P/N 90710-2	3022
Figure 3012: Illustration of P/N 90711-2	3024
Figure 3013: Illustration of P/N 189727-1	3026
Figure 3014: Illustration of P/N 458994-2	3028
Figure 3015: Illustration of P/N 455830-1	3030
Figure 3016: Illustration of P/N 455830-2	3032

Luminescent Systems, Inc.
Connectors
ILLUSTRATED PARTS CATALOG

LIST OF TABLES

TABLE N° & TITLE	PAGE
Table 1: List of Connector Manufacturers/Suppliers	1
Table 2: List of Connector Manufacturers/Suppliers (Continued)	2
Table 3: List of Connector Manufacturers/Suppliers (Continued)	3
Table 4: List of Connector Manufacturers/Suppliers (Continued)	4
Table 5: Cross Reference Table of Available Connector Sources	4

Luminescent Systems, Inc.
Connectors
ILLUSTRATED PARTS CATALOG

THIS PAGE INTENTIONALLY LEFT BLANK

Luminescent Systems, Inc.
Connectors
ILLUSTRATED PARTS CATALOG

CONNECTORS MANUFACTURERS/SUPPLIERS

1. Manufacturer/Supplier Addresses

Manufacturer/ Supplier Id.	Manufacturer/Supplier Address
AERO	Aero Electric Connector Systems, Inc. 548 Amapola Avenue Torrance, CA 90501 USA Tel: +1 310 618 3737 Fax: +1 310 618 3738
AMP	AMP, Inc. (AMP) 1523 North 4th Street Harrisburg, PA 17102 USA
AMPHENOL	Amphenol Corporation Amphenol Aerospace 40-60 Delaware Avenue Sidney, NY 13838-1395 USA Tel: +1 607 563 5011 Fax: +1 607 563 5157 Amphenol Socapex Promenade De L'Arve Theyez 74301 Cluses Cedex France Tel: +33-4-50-89-28-00 Fax: +33-4-50-96-19-41
ARRAY	Array Connector Corporation 7400 NW 52nd Street Miami, FL 33166-5598 USA Tel: +1 305 591 7350 Fax: +1 305 563 2428
ASTRO	Astro Tool 21615 S.W. Tulatin Valley Hwy. Beaverton, OR 97006 USA Tel: +1 503 642 9853 Fax: +1 503 591 7766
BENDIX	See Amphenol
Burndy	See FCI

Table 1: List of Connector Manufacturers/Suppliers

Luminescent Systems, Inc.
Connectors
ILLUSTRATED PARTS CATALOG

Manufacturer/ Supplier Id.	Manufacturer/Supplier Address
CANNON	<p>ITT Cannon 666 East Dyer Road Santa Ana, CA 92705 USA Tel: +1 714 557 4700 Fax: +1 714 754 4700</p> <p>ITT Cannon 2, Ave. Sablons Bouillants B.P. 133 F-77101 Meaux Cedex France Tel: +33 (0)1 64 33 48 05 Fax: +33 (0)1 64 33 16 82</p>
CINCH	<p>Cinch Connector Division Labinal Components and Systems, Inc. 865 Parkview Boulevard Lombard, IL 60148-3230 USA Tel: +1 630 705 6000 Fax: +1 630 705 6055</p>
CORY	<p>Cory Components, Inc. 2201 Rosecrans Avenue El Segundo, CA 90245 Tel: +1 310 536 0034 Fax: +1 310 536 0206</p>
DEUTSCH	<p>Deutsch Engineered Connecting Devices 5733 West Whitier Avenue Hemet, CA 92545 USA Tel: +1 909 765 2200 Fax: +1 909 922 1544</p> <p>Compagnie Deutsch SA Evreux Plant 17, Rue Lavoisier 27035 Evreux France Tel: +33 (0)2 32 23 57 00 Fax: +33 (0)2 32 23 58 07</p>
DMC	<p>Daniels Mfg. Corp. 526 Thorpe Road Orlando, FL 32824 USA Tel: +1 407 855 6161 Fax: +1 407 855 6884</p>

Table 2: List of Connector Manufacturers/Suppliers (Continued)

Luminescent Systems, Inc.
Connectors
ILLUSTRATED PARTS CATALOG

Manufacturer/ Supplier Id.	Manufacturer/Supplier Address
FCI	<p>Framatome Connectors USA (FCI) Burndy Products 101 East Industrial Park Drive P. O. Box 9507 Manchester, NH 03108 USA Tel: +1 603 647 5000 Fax: +1 603 647 5200</p> <p>Framatome Connectors USA 50 Grumbacher Road York, PA 17402 USA Tel: +1 717 767 8080 Fax: +1 717 767 8052</p> <p>Framatome Connectors France 145, rue Yves-Le-Coz 78035 Versailles CEDEX France Tel: +33 (0)1 39 49 21 83 Fax: +33 (0)1 39 49 20 00</p>
GLENAIR	<p>Glenair Inc. 1211 Air Way Glendale, CA 91201-2497 USA Tel +1 818 247 6000 Fax +1 818 500 9912</p>
FISCHER	<p>Fischer Connectors, Inc. 115 Perimeter Center Place Atlanta, GA 30346 USA Tel: +1 770 352 0606 Fax: +1 770 352 0992</p> <p>W. W. Fisher S.A. Apples SWITZERLAND Tel: +41 21 800 9595 Fax: +41 21 800 3924</p>
Amphenol-Pyle	See Amphenol
RMS	<p>RMS Company Electrical Connector Division 8600 Evergreen Boulevard Minneapolis, MN 55433-6036 USA Tel: +1 612 786 1520 Fax: +1 612 786 1771</p>

Table 3: List of Connector Manufacturers/Suppliers (Continued)

Luminescent Systems, Inc.
Connectors
ILLUSTRATED PARTS CATALOG

Manufacturer/ Supplier Id.	Manufacturer/Supplier Address
TEC	TEC Electrical Components, Ltd. Progress Way Enfield Middlesex EN1 1VZ England Tel: +44 (0)181 366 1291 Fax: +44 (0)181 367 7748
TRI-STAR	Tri Star Electronics International, Inc. 2201 Rosecrans Avenue El Segundo, CA 90245 USA Tel: +1 310 536 0444 Fax: +1 310 536 9322
VIKING	Viking Electronics, Inc. 21001 Nordhoff Street P. O. Box 2379 Chatsworth, CA 91311 USA Tel: +1 818 341 4330 Fax: +1 818 882 5713

Table 4: List of Connector Manufacturers/Suppliers (Continued)

NOTE: Data deemed accurate at time of publication.

2. Cross Reference Table of Available Sources

MIL-C-26500 BACC45	MIL-C-38999 Series II	MIL-C-83723 Series I (*)	Airbus	MIL-C-26462 Series II
Array (ACT) Aero Electric Amphenol Cinch Deutsch RMS	Amphenol ITT Cannon FCI TEC	Array (ACT) Aero Electric Amphenol Deutsch ITT Cannon FCI	Amphenol Deutsch FCI ITT Cannon	Array (ACT) Aero Electric Amphenol Deutsch ITT Cannon FCI

Table 5: Cross Reference Table of Available Connector Sources

(*) Superseded by MIL-C-26484 Series II

Luminescent Systems, Inc.
Connectors
ILLUSTRATED PARTS CATALOG

CONNECTORS & ACCESSORIES

Luminescent Systems, Inc.
Connectors
ILLUSTRATED PARTS CATALOG

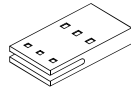


Figure 1001: Illustration for P/N 5935-1

Luminescent Systems, Inc.
Connectors
ILLUSTRATED PARTS CATALOG

5935-1	Connector Housing, Receptacle, 1 Leg, for Flat Cable		
	Manufacturer	AMP	
	P/N	AMP #487378-2	
	Contact(s)	LSI #60045	Contact, Socket
	Mating Connector	LSI #60228	Connector Housing, Plug
	Comment	Identical to LSI #60144 with 1 leg removed	

Luminescent Systems, Inc.
Connectors
ILLUSTRATED PARTS CATALOG

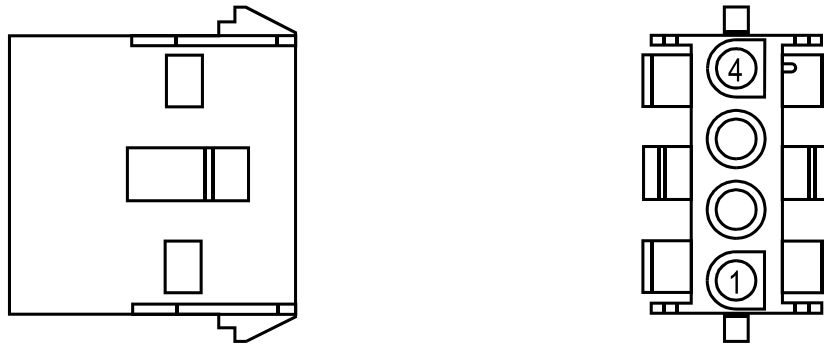


Figure 1002: Illustration of P/N 60041

Luminescent Systems, Inc.
Connectors
ILLUSTRATED PARTS CATALOG

60041	Connector Housing, Receptacle, Mate-N-Lock, 4 Contacts		
	Manufacturer	AMP	
	P/N	AMP #1-480703-0	
	Contact(s)	4 x LSI #60045 or 4 x LSI #60050	Contact, Pin (not included) Contact, Socket (not included)
	Mating Connector	LSI #60047	Connector, Housing, Plug
	Comment		

Luminescent Systems, Inc.
Connectors
ILLUSTRATED PARTS CATALOG

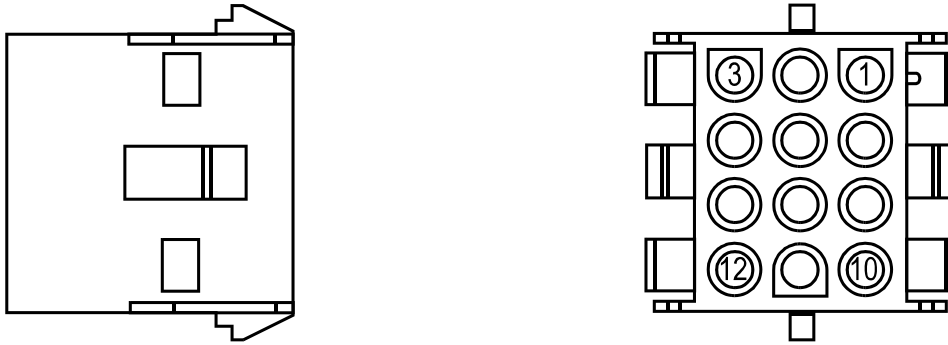


Figure 1003: Illustration of P/N 60043

Luminescent Systems, Inc.
Connectors
ILLUSTRATED PARTS CATALOG

60043	Connector Housing, Receptacle, Mate-N-Lock, 12 Contacts		
	Manufacturer	AMP	
	P/N	AMP #1-480709-0	
	Contact(s)	12 x LSI #60045 or 12 x LSI #60050	Contact, Pin (not included) Contact, Socket (not included)
	Mating Connector	LSI #60049	Connector, Housing, Plug
	Comment		

Luminescent Systems, Inc.
Connectors
ILLUSTRATED PARTS CATALOG

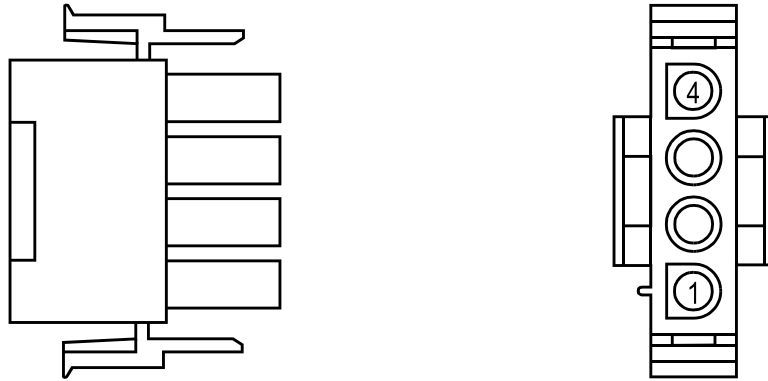


Figure 1004: Illustration of P/N 60047

Luminescent Systems, Inc.
Connectors
ILLUSTRATED PARTS CATALOG

60047	Connector Housing, Plug, Mate-N-Lock, 4 Contacts		
	Manufacturer	AMP	
	P/N	AMP #1-480702-0	
	Contact(s)	4 x LSI #60051	Contact, Socket (not included)
	Mating Connector	LSI #60041	Connector, Housing, Receptacle
	Comment		

Luminescent Systems, Inc.
Connectors
ILLUSTRATED PARTS CATALOG

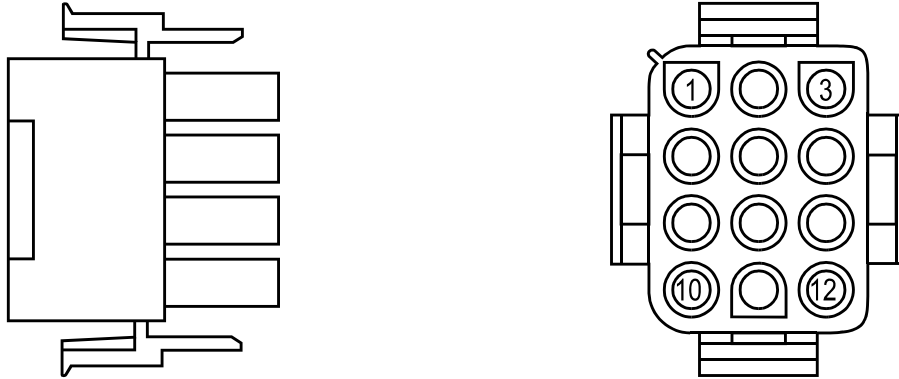


Figure 1005: Illustration of P/N 60049

Luminescent Systems, Inc.
Connectors
ILLUSTRATED PARTS CATALOG

60049	Connector Housing, Plug, Mate-N-Lock, 12 Contacts		
	Manufacturer	AMP	
	P/N	AMP #1-480708-0	
	Contact(s)	12 x LSI #60051	Contact, Socket (not included)
	Mating Connector	LSI #60043	Connector, Housing, Receptacle
	Comment		

Luminescent Systems, Inc.
Connectors
ILLUSTRATED PARTS CATALOG

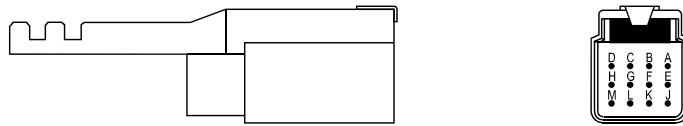
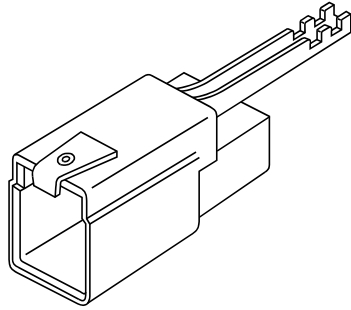


Figure 1006: Illustration of P/N 60123

Luminescent Systems, Inc.
Connectors
ILLUSTRATED PARTS CATALOG

60123	Connector Housing, Receptacle, 10 Contacts		
	Manufacturer	BURNDY, CORY	
	P/N	BURNDY #MB10R-6, CORY #CB10R-6	
	Contact(s)	10 x LSI #60120	Contact, Pin (not included)
	Mating Connector	LSI #60152	Connector, Housing, Plug
	Comment		

Luminescent Systems, Inc.
Connectors
ILLUSTRATED PARTS CATALOG

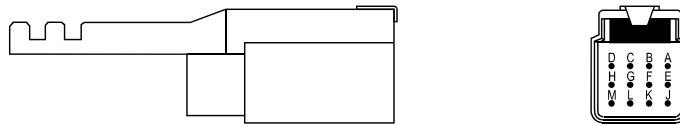
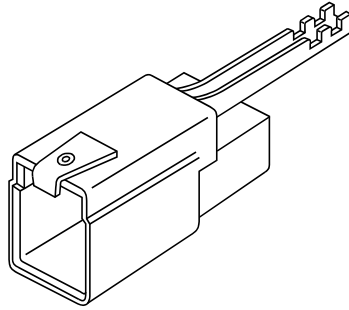


Figure 1007: Illustration of P/N 60136

Luminescent Systems, Inc.
Connectors
ILLUSTRATED PARTS CATALOG

60136	Connector Housing, Receptacle, 12 Contacts		
	Manufacturer	BURNDY, CORY	
	P/N	BURNDY #MB12R-6, CORY #CB12R-6	
	Contact(s)	12 x LSI #60120	Contact, Pin (not included)
	Mating Connector	LSI #60152	Connector, Housing, Plug
	Comment		

Luminescent Systems, Inc.
Connectors
ILLUSTRATED PARTS CATALOG

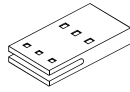


Figure 1008: Illustration for P/N 60144

Luminescent Systems, Inc.
Connectors
ILLUSTRATED PARTS CATALOG

60144	Connector Housing, Receptacle, for Flat Cable		
	Manufacturer	AMP	
	P/N	AMP #487378-2	
	Contact(s)	LSI #60045	Contact, Socket
	Mating Connector	LSI #60228	Connector Housing, Plug
	Comment		

Luminescent Systems, Inc.
Connectors
ILLUSTRATED PARTS CATALOG

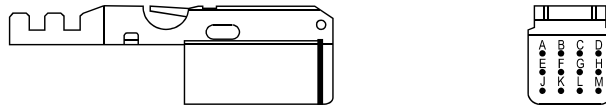
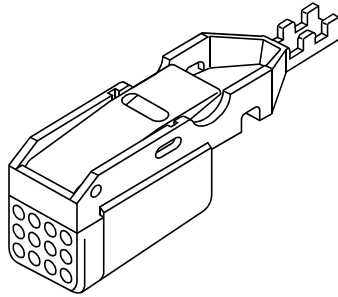


Figure 1009: Illustration of P/N 60152

Luminescent Systems, Inc.
Connectors
ILLUSTRATED PARTS CATALOG

60152	Connector Housing, Plug, 12 Contacts		
	Manufacturer	BURNDY, CORY	
	P/N	BURNDY #MB12P-1 CORY #CB12P-1	
	Contact(s)	12 x LSI #60122	Contact, Socket (not included)
	Mating Connector	LSI #60136	Connector Housing, Receptacle
	Comment		

Luminescent Systems, Inc.
Connectors
ILLUSTRATED PARTS CATALOG

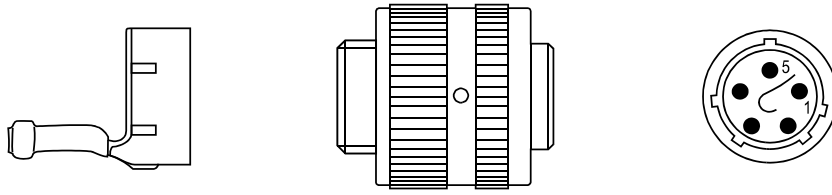


Figure 1010: Illustration of P/N 60178

Luminescent Systems, Inc.
Connectors
ILLUSTRATED PARTS CATALOG

60178	Connector Housing, Plug, MIL-C-26500, 6 Contacts		
	Specification	MIL-C-26500	
	Manufacturer		
	P/N	MS24266R10B5P	
	Contact(s)	6 x LSI #60218	Contact, Pin (included)
	Backshell	LSI 62019	Backshell, Straight, Quick-Tie
	Mating Connector	LSI #60470	Housing, Receptacle Wall Mount
	Comment	Similar to BACC45FT10A5P	

Luminescent Systems, Inc.
Connectors
ILLUSTRATED PARTS CATALOG

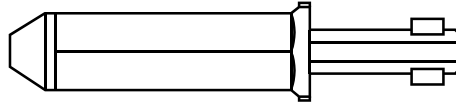


Figure 1011: Illustration of P/N 60184

Luminescent Systems, Inc.
Connectors
ILLUSTRATED PARTS CATALOG

60184	Connector Housing, Plug, Wire Splice	
	Specification	
	Manufacturer	AMPHENOL, TRI-STAR, VIKING
	P/N	AMPHENOL #48-7190 TRI-STAR # VIKING #
	Contact(s)	1 x LSI #60182 Contact, Pin (not included)
	Mating Connector	LSI #60185 Connector Housing, Receptacle, Wire Splice
	Comment	22AWG wire requires adaptor sleeve LSI #61317

Luminescent Systems, Inc.
Connectors
ILLUSTRATED PARTS CATALOG

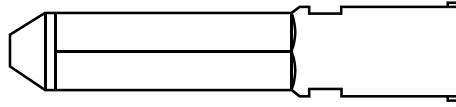


Figure 1012: Illustration of P/N 60185

Luminescent Systems, Inc.
Connectors
ILLUSTRATED PARTS CATALOG

60185	Connector Housing, Receptacle, Wire Splice		
	Specification		
	Manufacturer	AMPHENOL	
	P/N	AMPHENOL #48-7191	
	Contact(s)	1 x LSI #60183	Contact, Socket (not included)
	Mating Connector	LSI #60184	Connector Housing, Plug, Wire Splice
	Comment	22AWG wire requires adaptor sleeve LSI #61317	

Luminescent Systems, Inc.
Connectors
ILLUSTRATED PARTS CATALOG

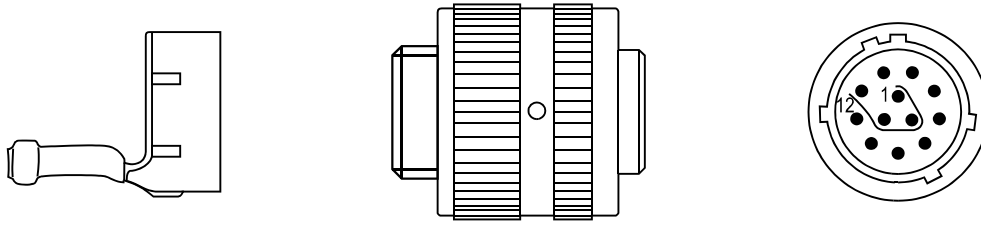


Figure 1013: Illustration of P/N 60200

Luminescent Systems, Inc.
Connectors
ILLUSTRATED PARTS CATALOG

60200	Connector Housing, Plug, MIL-C-26500, 12 Contacts		
	Specification	MIL-C-26500	
	P/N	MS24266R12B12P10	
	Manufacturer	AMPHENOL	
	P/N	AMPHENOL #48-16R12-12P10 or equivalent	
	Contact(s)	12 x LSI #60218	Contact, Pin (included)
	Backshell	LSI #62020	Backshell, Straight, Quick-Tie
	Mating Connector		
	Comment		

Luminescent Systems, Inc.
Connectors
ILLUSTRATED PARTS CATALOG

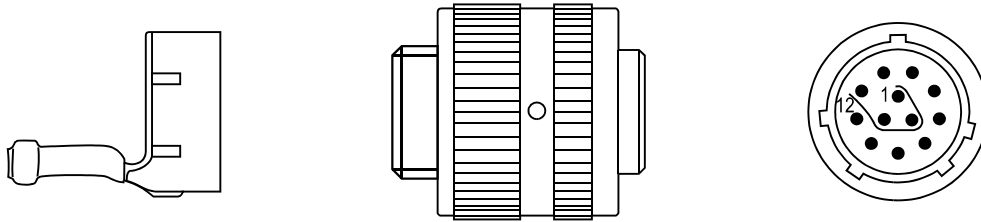


Figure 1014: Illustration of P/N 60202

Luminescent Systems, Inc.
Connectors
ILLUSTRATED PARTS CATALOG

60202	Connector Housing, Plug, MIL-C-26500, 12 Contacts	
	Specification	MIL-C-26500
	P/N	MS24266R12B12P
	Manufacturer	AMPHENOL
	P/N	AMPHENOL #48-16R12-12P or equivalent
	Contact(s)	12 x LSI #60218 Contact, Pin (included)
	Backshell	LSI #62020 Backshell, Straight, Quick-Tie
	Mating Connector	LSI #60578 Connector Housing, Receptacle
	Comment	identical to BAC #45FT-12A12PN

Luminescent Systems, Inc.
Connectors
ILLUSTRATED PARTS CATALOG

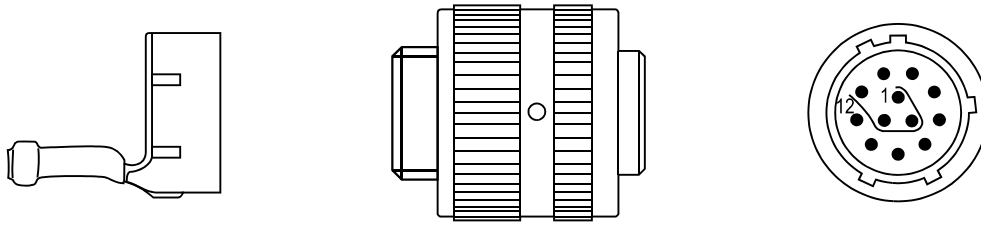


Figure 1015: Illustration of P/N 60203

Luminescent Systems, Inc.
Connectors
ILLUSTRATED PARTS CATALOG

60203	Connector Housing, Plug, MIL-C-26500, 12 Contacts		
	Specification	MIL-C-26500	
	P/N	MS24266R12B12P8	
	Manufacturer	AMPHENOL	
	P/N	AMPHENOL #48-16R12-12P8 or equivalent	
	Contact(s)	12 x LSI #60218	Contact, Pin (included)
	Backshell	LSI #62020	Backshell, Straight, Quick-Tie
	Mating Connector		
	Comment		

Luminescent Systems, Inc.
Connectors
ILLUSTRATED PARTS CATALOG

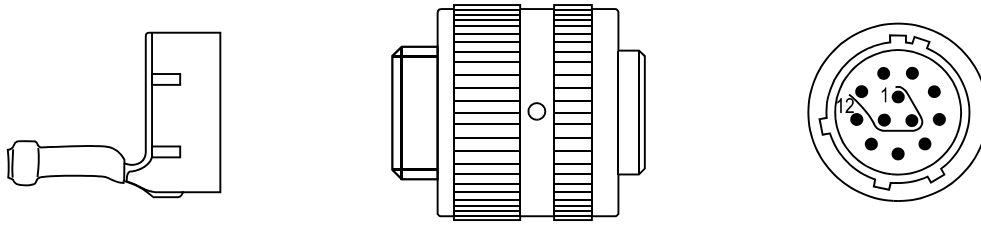


Figure 1016: Illustration of P/N 60206

Luminescent Systems, Inc.
Connectors
ILLUSTRATED PARTS CATALOG

60206	Connector Housing, Plug, MIL-C-26500, 12 Contacts		
	Specification	MIL-C-26500	
	P/N	MS24266R12B12P6	
	Manufacturer	AMPHENOL	
	P/N	AMPHENOL #48-16R12-12P6 or equivalent	
	Contact(s)	12 x LSI #60218	Contact, Pin (included)
	Backshell	LSI #62020	Backshell, Straight, Quick-Tie
	Mating Connector		
	Comment		

Luminescent Systems, Inc.
Connectors
ILLUSTRATED PARTS CATALOG

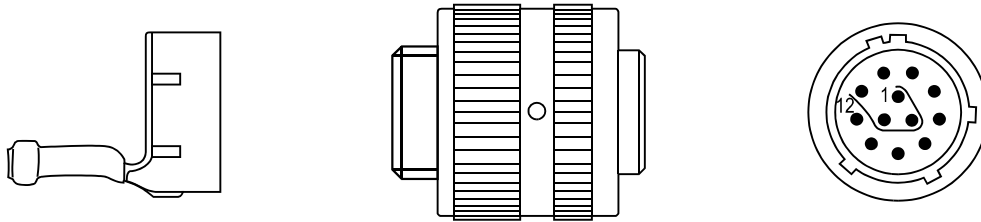


Figure 1017: Illustration of P/N 60207

Luminescent Systems, Inc.
Connectors
ILLUSTRATED PARTS CATALOG

60207	Connector Housing, Plug, MIL-C-26500, 12 Contacts	
	Specification	MIL-C-26500
	P/N	MS24266R12B12P7
	Manufacturer	AMPHENOL
	P/N	AMPHENOL #48-16R12-12P7 or equivalent
	Contact(s)	12 x LSI #60218 Contact, Pin (included)
	Backshell	LSI #62020 Backshell, Straight, Quick-Tie
	Mating Connector	
	Comment	

Luminescent Systems, Inc.
Connectors
ILLUSTRATED PARTS CATALOG

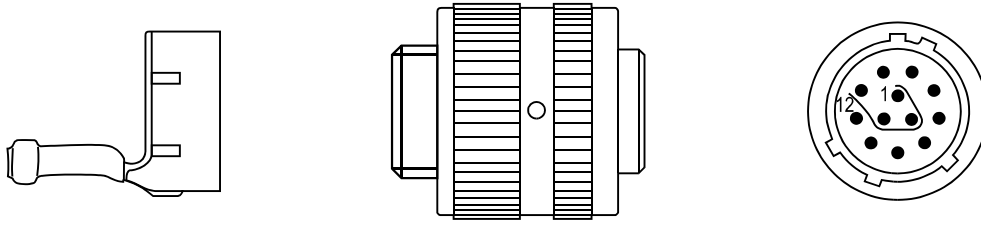


Figure 1018: Illustration of P/N 60208

Luminescent Systems, Inc.
Connectors
ILLUSTRATED PARTS CATALOG

60208	Connector Housing, Plug, MIL-C-26500, 12 Contacts		
	Specification	MIL-C-26500	
	P/N	MS24266R12B12P9	
	Manufacturer	AMPHENOL	
	P/N	AMPHENOL #48-16R12-12P9 or equivalent	
	Contact(s)	12 x LSI #60218	Contact, Pin (included)
	Backshell	LSI #62020	Backshell, Straight, Quick-Tie
	Mating Connector		
	Comment		

Luminescent Systems, Inc.
Connectors
ILLUSTRATED PARTS CATALOG

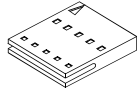


Figure 1019: Illustration for P/N 60228

Luminescent Systems, Inc.
Connectors
ILLUSTRATED PARTS CATALOG

60228	Connector Housing, Plug, for Flat Cable			
	Manufacturer	MOLEX		
	P/N	MOLEX #15-38-6015		
	Contact(s)	included		
	Mating Connector	LSI #5935-1	Connector Housing, Receptacle, 1 Leg	
		LSI #60144	Connector Housing, Receptacle	
	Comment			

Luminescent Systems, Inc.
Connectors
ILLUSTRATED PARTS CATALOG

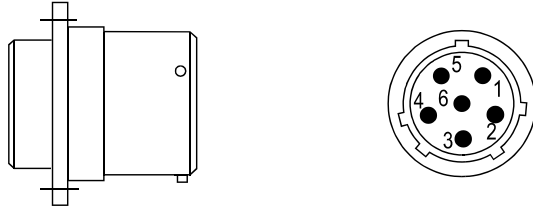


Figure 1020: Illustration of P/N 60250

Luminescent Systems, Inc.
Connectors
ILLUSTRATED PARTS CATALOG

60250	Connector Housing, Receptacle, Box Mount, 6 Contacts		
	Specification	MIL-C-38999 Series II	
	P/N	MS27508E8A35P	
	Manufacturer	BENDIX	
	P/N	BENDIX #MS27508E8A35P	
	Contact(s)	6xM39029/58-360	Contact, Socket (included)
	Mating Connector	LSI #61117	Connector Housing, Plug
	Comment	Information provided for reference only. Non-purchasable.	

Luminescent Systems, Inc.
Connectors
ILLUSTRATED PARTS CATALOG

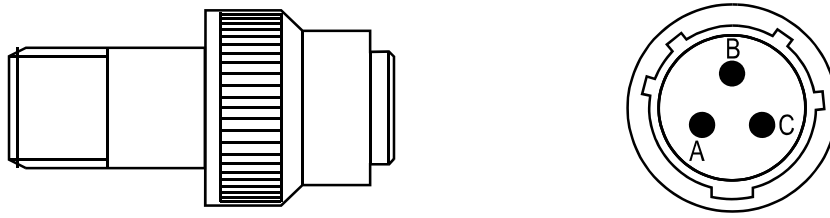


Figure 1021: Illustration for P/N 60450

Luminescent Systems, Inc.
Connectors
ILLUSTRATED PARTS CATALOG

60450	Connector Housing, Plug, MIL-C-26482 Series II, 3 Contacts		
	Specification	MIL-C-26482 Series II	
	P/N	MS3476W8-98P	
	Manufacturer	DEUTSCH	
	P/N	#AFD56-8-98PN-6117 or equiv.	
	Contacts	3xM39029/4-110	Contact, Socket (Included)
	Backshell	LSI #60488	Backshell, Straight, Quick-Tie
	Mating Connector		
	Comment		

Luminescent Systems, Inc.
Connectors
ILLUSTRATED PARTS CATALOG

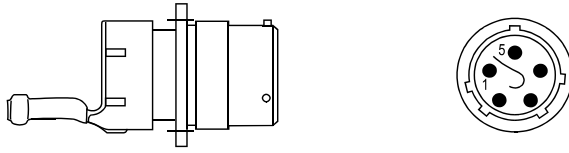


Figure 1022: Illustration for P/N 60470

Luminescent Systems, Inc.
Connectors
ILLUSTRATED PARTS CATALOG

60470	Connector Housing, Receptacle, Wall Mount, MIL-C-26500, 5 Contacts		
	Specification	MIL-C-26500	
	P/N	MS24266R10B5S	
	Manufacturer		
	P/N		
	Contact(s)	5xM39029/32-260	Contact, Socket (included)
	Backshell	LSI #62019	Backshell, Straight, Quick-Tie
	Mating Connector	LSI #60178	Connector Housing, Plug
	Comment	Non-purchasable. Similar to Boeing BACC45FT10A5S.	

Luminescent Systems, Inc.
Connectors
ILLUSTRATED PARTS CATALOG

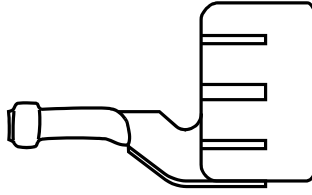


Figure 1023: Illustration of P/N 60488

Luminescent Systems, Inc.
Connectors
ILLUSTRATED PARTS CATALOG

60488	Backshell, Clamp, Straight, Quick-Tie	
	Specification	MIL-C-85049
	P/N	M85049/5308A
	Manufacturer	Glenair
	P/N	
	Comment	

Luminescent Systems, Inc.
Connectors
ILLUSTRATED PARTS CATALOG

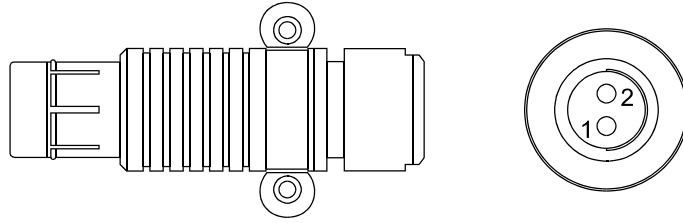


Figure 1024: Illustration of P/N 60516

Luminescent Systems, Inc.
Connectors
ILLUSTRATED PARTS CATALOG

60516	Connector Housing, Plug, 2 Contacts		
	Manufacturer	FISCHER	
	P/N	FISCHER #S104A051134.2U	
	Contact(s)		
	Mating Connector	LSI #60517	Connector Housing, Receptacle
	Comment	Non-purchasable part	

Luminescent Systems, Inc.
Connectors
ILLUSTRATED PARTS CATALOG

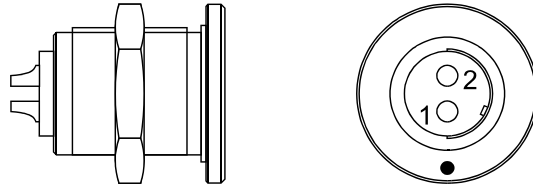


Figure 1025: Illustration of P/N 60517

Luminescent Systems, Inc.
Connectors
ILLUSTRATED PARTS CATALOG

60517	Connector Housing, Receptacle, 2 Contacts		
	Manufacturer	FISCHER	
	P/N	FISCHER #D104A051-60	
	Contact(s)		
	Mating Connector	LSI #60516	Connector Housing, Plug
	Comment	Non-purchasable part	

Luminescent Systems, Inc.
Connectors
ILLUSTRATED PARTS CATALOG

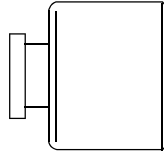


Figure 1026: Illustration of P/N 60544

Luminescent Systems, Inc.
Connectors
ILLUSTRATED PARTS CATALOG

60544	Cap, for Connector Housing LSI #60516	
	Manufacturer	FISCHER
	P/N	FISCHER #104.299
	Comment	Non-purchasable part

Luminescent Systems, Inc.
Connectors
ILLUSTRATED PARTS CATALOG

DRAWING NOT AVAILABLE

Figure 1027: Illustration of P/N 60587

Luminescent Systems, Inc.
Connectors
ILLUSTRATED PARTS CATALOG

60587	Connector Housing, Receptacle, MIL-C-26500, 12 Contacts		
	Specification	MIL-C-26500	
	P/N	MS24264R12B12S	
	Manufacturer	AMPHENOL	
	P/N	#48-16R12-12P or equivalent	
	Contact(s)	12 x LSI #60218	Contact, Socket (included)
	Backshell	LSI #62020	Backshell, Straight, Quick-Tie Glenair #450ES001C12 (included) BACC10GH-12
	Mating Connector	LSI #60202	Connector Housing, Plug
	Comment	Similar to BACC45FN12A12S	

Luminescent Systems, Inc.
Connectors
ILLUSTRATED PARTS CATALOG

DRAWING NOT AVAILABLE

Figure 1028: Illustration of P/N 60588

Luminescent Systems, Inc.
Connectors
ILLUSTRATED PARTS CATALOG

60588	Connector Housing, Receptacle	
	Specification	
	Manufacturer	
	P/N	
	Contact(s)	
	Backshell	
	Mating Connector	
	Comment	Obsolete. Duplicate of LSI# 60470.

Luminescent Systems, Inc.
Connectors
ILLUSTRATED PARTS CATALOG

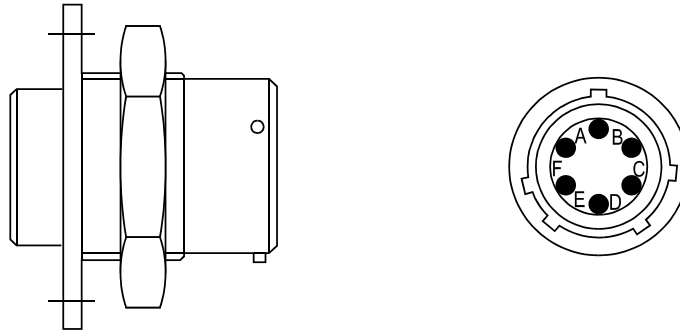


Figure 1029: Illustration of P/N 60629

Luminescent Systems, Inc.
Connectors
ILLUSTRATED PARTS CATALOG

60629	Connector Housing, Receptacle, Jam Nut, MIL-C-83723 Series I, 6 Contacts		
	Specification	MIL-C-83723 Series I	
	P/N	MS83723/06R1006N	
	Manufacturer	CANNON	
	P/N	CANNON #MS83723/06R1006N	
	Contact(s)	6xM39029/4-110	Contact, Socket (Included)
	Mating Connector	MS83723/13R1006N	Connector Housing, Plug
	Comment	This information is provided for reference. Non-purchasable.	

Luminescent Systems, Inc.
Connectors
ILLUSTRATED PARTS CATALOG

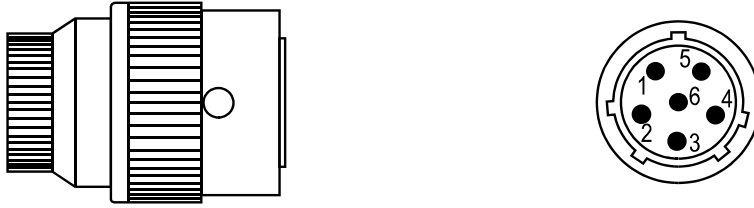


Figure 1030: Illustration of P/N 61117

Luminescent Systems, Inc.
Connectors
ILLUSTRATED PARTS CATALOG

61117	Connector Housing, Plug, MIL-C-38999 Series II, 6 Contacts		
	Specification	MIL-C-38999 Series II	
	P/N	MS27473T8A35S	
	Manufacturer		
	P/N	#10-251416-72S or equiv.	
	Contact(s)	6 x M39029/57-354	Contact, Pin (included)
	Backshell	LSI #61122	Backshell, Straight, Quick-Tie
	Mating Connector	LSI #60250	Connector Housing, Receptacle
	Comment		

Luminescent Systems, Inc.
Connectors
ILLUSTRATED PARTS CATALOG

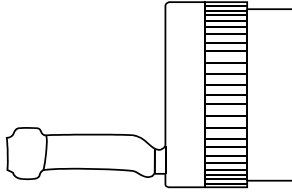


Figure 1031: Illustration of P/N 61122

Luminescent Systems, Inc.
Connectors
ILLUSTRATED PARTS CATALOG

61122	Backshell, Straight, Quick-Tie	
	Specification	MIL-C-85049
	P/N	M85049/56-08W
	Manufacturer	GLENAIR
	P/N	GLENAIR #GTR64-8-N
	Comment	

Luminescent Systems, Inc.
Connectors
ILLUSTRATED PARTS CATALOG

DRAWING NOT AVAILABLE

Figure 1032: Illustration of P/N 61860

Luminescent Systems, Inc.
Connectors
ILLUSTRATED PARTS CATALOG

61860	Connector Housing, Receptacle, Box Mount, MIL-C-38999 Series II,	
	Specification	MIL-C-38999 Series II
	P/N	MS27508E10A35P
	Manufacturer	
	P/N	
	Contact(s)	M39029/58-360 Contact, Socket (Included)
	Mating Connector	LSI #61863 Connector Housing, Plug
	Comment	Information is provided for reference only. Non-purchasable.

Luminescent Systems, Inc.
Connectors
ILLUSTRATED PARTS CATALOG

DRAWING NOT AVAILABLE

Figure 1033: Illustration of P/N 61863

Luminescent Systems, Inc.
Connectors
ILLUSTRATED PARTS CATALOG

61863	Connector Housing, Plug, MIL-C-38999 Series II		
	Specification	MIL-C-38999 Series II	
	P/N	MS27473E10A35S	
	Manufacturer		
	P/N		
	Contact(s)	M39029/57-354	Contact, Pin (Included)
	Backshell	M85049/56-10W	Glenair #GTR64-10-N Glenair #450FS001T10
	Mating Connector	LSI #61860	Connector Housing, Receptacle
	Comment	Non-purchasable.	

Luminescent Systems, Inc.
Connectors
ILLUSTRATED PARTS CATALOG

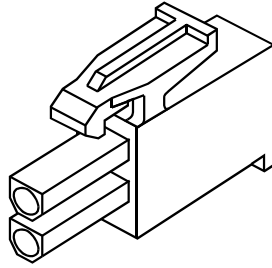


Figure 1034: Illustration of P/N 61886

Luminescent Systems, Inc.
Connectors
ILLUSTRATED PARTS CATALOG

61886	Connector Housing, Plug, Mini Mate-N-Lok, 2 Contacts		
	Manufacturer	AMP	
	P/N	AMP #172165-1	
	Contact(s)	2 x LSI #61887 or 2 x LSI #62046 or 2 x LSI #61889 or 2 x LSI #62047	Contact, Socket, 2 Wire (not included) Contact, Socket, 1 Wire (not included) Contact, Pin, 2 Wire (not included) Contact, Pin, 1 Wire (not included)
	Mating Connector	LSI #61888	Connector, Housing, Cap
	Comment		

Luminescent Systems, Inc.
Connectors
ILLUSTRATED PARTS CATALOG

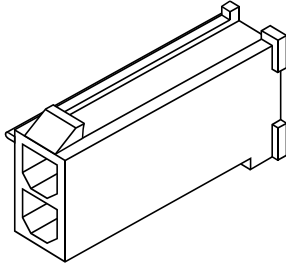


Figure 1035: Illustration of P/N 61888

Luminescent Systems, Inc.
Connectors
ILLUSTRATED PARTS CATALOG

61888	Connector Housing, Cap, Mini Mate-N-Lok, 2 Contacts		
	Manufacturer	AMP	
	P/N	AMP #172233-1	
	Contact(s)	2 x LSI #61887 or 2 x LSI #62046 or 2 x LSI #61889 or 2 x LSI #62047	Contact, Socket, 2 Wire (not included) Contact, Socket, 1 Wire (not included) Contact, Pin, 2 Wire (not included) Contact, Pin, 1 Wire (not included)
	Mating Connector	LSI #61886	Connector, Housing, Plug
	Comment		

Luminescent Systems, Inc.
Connectors
ILLUSTRATED PARTS CATALOG

DRAWING NOT AVAILABLE

Figure 1036: Illustration of P/N 61952

Luminescent Systems, Inc.
Connectors
ILLUSTRATED PARTS CATALOG

61952	Connector Housing, Receptacle, Box Mount, MIL-C-38999, Series II		
	Specification	MIL-C-38999, Series II	
	P/N	MS27499E10A35P	
	Manufacturer		
	P/N		
	Contact(s)	M39029/58-360	Contact, Socket
	Backshell		
	Mating Connector		
	Comment	Information is provided for reference. Non-purchasable.	

Luminescent Systems, Inc.
Connectors
ILLUSTRATED PARTS CATALOG

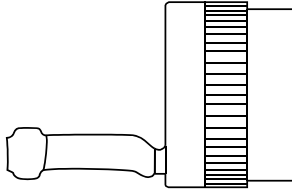


Figure 1037: Illustration of P/N 62019

Luminescent Systems, Inc.
Connectors
ILLUSTRATED PARTS CATALOG

62019	Backshell, Straight, Quick-Tie	
	Specification	
	P/N	
	Manufacturer	GLENAIR
	P/N	GLENAIR #457ES006C10
	Comment	Similar to BACC10GH-10

Luminescent Systems, Inc.
Connectors
ILLUSTRATED PARTS CATALOG

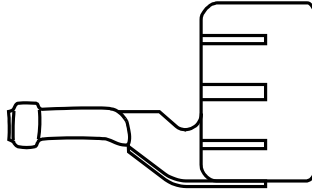


Figure 1038: Illustration of P/N 62020

Luminescent Systems, Inc.
Connectors
ILLUSTRATED PARTS CATALOG

62020	Backshell, Straight, Quick-Tie		
	Manufacturer	GLENAIR	
	P/N	GLENAIR #457ES006C12	
	Mating Connector	LSI #6020X	Connector, Housing, Plug
	Comment	Similar to BACC10GH-12	

Luminescent Systems, Inc.
Connectors
ILLUSTRATED PARTS CATALOG

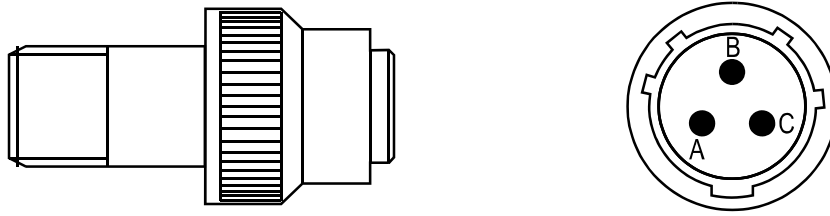


Figure 1039: Illustration for P/N 62086

Luminescent Systems, Inc.
Connectors
ILLUSTRATED PARTS CATALOG

62086	Connector Housing, Plug, Airbus ASNE0052, 3 Contacts	
	Specification	Airbus ASNE0052
	P/N	ASN-E0052R8B3APNE
	Manufacturer	DEUTSCH, FCI
	P/N	Deutsch #0641-10-2059B FCI #8522-332A, #8522-2349A
	Contacts	NSA938151PA2000 Contact, Pin
	Backshell	ASN-E0080-01-08C
	Mating Connector	
	Comment	Similar to NAS1653R8B3APN (superseded by MS3476W8-98)

Luminescent Systems, Inc.
Connectors
ILLUSTRATED PARTS CATALOG

THIS PAGE INTENTIONALLY LEFT BLANK

Luminescent Systems, Inc.
Connectors
ILLUSTRATED PARTS CATALOG

CONTACTS & ACCESSORIES

Luminescent Systems, Inc.
Connectors
ILLUSTRATED PARTS CATALOG

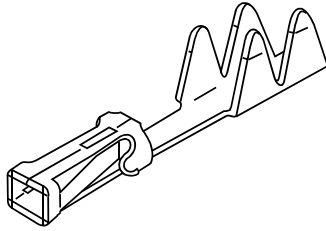


Figure 2001: Illustration of P/N 60045

Luminescent Systems, Inc.
Connectors
ILLUSTRATED PARTS CATALOG

60045	Contact, FFC, Socket	
	Specification	AMP 108-40002
	Manufacturer	AMP
	P/N	487117-4
	Crimp Tool	AMP #90273-5 (hand) AMP #682575-5 (machine)
	Insertion Tool	N/R
	Extraction Tool	AMP #91200
	Comment	Supplied on strip

Luminescent Systems, Inc.
Connectors
ILLUSTRATED PARTS CATALOG

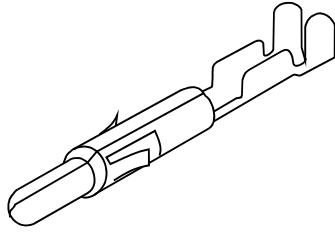


Figure 2002: Illustration of P/N 60050

Luminescent Systems, Inc.
Connectors
ILLUSTRATED PARTS CATALOG

60050	Contact, Pin	
	Specification	AMP 108-1031
	Manufacturer	AMP
	P/N	350690-2
	Crimp Tool	AMP #90300-2
	Insertion Tool	AMP #455830-1
	Extraction Tool	AMP #458994-2
	Comment	

Luminescent Systems, Inc.
Connectors
ILLUSTRATED PARTS CATALOG

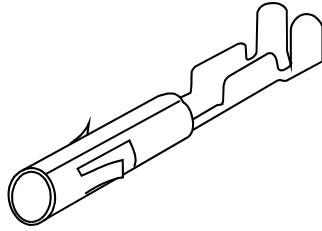


Figure 2003: Illustration of P/N 60051

Luminescent Systems, Inc.
Connectors
ILLUSTRATED PARTS CATALOG

60051	Contact, Socket	
	Specification	AMP 108-1031
	Manufacturer	AMP
	P/N	AMP #640347-2
	Crimp Tool	AMP #90300-2 (Hand)
	Insertion Tool	AMP #455830-1
	Extraction Tool	AMP #458994-1
	Comment	

Luminescent Systems, Inc.
Connectors
ILLUSTRATED PARTS CATALOG

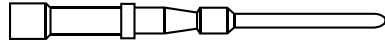


Figure 2004: Illustration of P/N 60120

Luminescent Systems, Inc.
Connectors
ILLUSTRATED PARTS CATALOG

60120	Contact, Pin, MIL-C-39029	
	Specification	MIL-C-39029
	P/N	M39029/31-241
	Manufacturer	CORY
	P/N	CORY #CRM20W-3
	Crimp Tool	M22520/1-01 with M22520/1-02 (red positioner)
	Insertion Tool	M81969/17-03
	Extraction Tool	M81969/19-07
	Comment	Use with MIL-C-26482 Series I, MIL-C-26500 Series Connectors

Luminescent Systems, Inc.
Connectors
ILLUSTRATED PARTS CATALOG

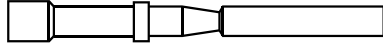


Figure 2005: Illustration of P/N 60122

Luminescent Systems, Inc.
Connectors
ILLUSTRATED PARTS CATALOG

60122	Contact, Socket, MIL-C-39029	
	Specification	MIL-C-39029
	P/N	M39029/32-259
	Manufacturer	CORY
	P/N	CORY #CRC20W-3
	Crimp Tool	M22520/1-01 with M22520/1-02 (red positioner)
	Insertion Tool	M81969/17-03
	Extraction Tool	M81969/19-07
	Comment	Use with MIL-C-26482 Series I, MIL-C-26500 Series Connectors. M39029/31-260 preferred substitute

Luminescent Systems, Inc.
Connectors
ILLUSTRATED PARTS CATALOG

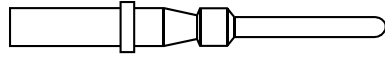


Figure 2006: Illustration of P/N 60182

Luminescent Systems, Inc.
Connectors
ILLUSTRATED PARTS CATALOG

60182	Contact, Pin, Boeing BACC47CN	
	Specification	Boeing BACC47CN
	P/N	Boeing #BACC47CN2
	Manufacturer	AMPHENOL, FCI, Tri-Star
	P/N	Amphenol Aerospace 48-1825-02 Amphenol/Pyle #ZZL-4016-36LT FCI/Burndy #LRM16M-15F74 Tri-Star #417-1616-902
	Crimp Tool	M22520/1-01 + M22520/1-02 (blue positioner)
	Insertion Tool	M81969/17-04
	Extraction Tool	M81969/19-08
	Accessories	LSI #61317
	Comment	Equivalent to Boeing BACC47CN2

Luminescent Systems, Inc.
Connectors
ILLUSTRATED PARTS CATALOG

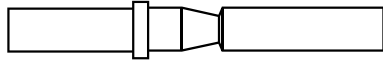


Figure 2007: Illustration of P/N 60183

Luminescent Systems, Inc.
Connectors
ILLUSTRATED PARTS CATALOG

60183	Contact, Socket, Boeing BACC47CP	
	Specification	Boeing BACC47CP
	P/N	Boeing #BACC47CP2T
	Manufacturer	AMPHENOL, AMPHENOL-PYLE
	P/N	AMPHENOL #248-136-1600S-02 AMPHENOL-PYLE #ZZL-4116-36LT FCI/Burndy #LRC16M-15F74 Tri-Star #418-1616-902
	Crimp Tool	M22520/1-01 + M22520/1-02 (blue positioner)
	Insertion Tool	M81969/17-04
	Extraction Tool	M81969/19-08
	Accessories	LSI #61317
	Comment	Equivalent to BACC47CP2T

Luminescent Systems, Inc.
Connectors
ILLUSTRATED PARTS CATALOG

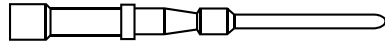


Figure 2008: Illustration of P/N 60218

Luminescent Systems, Inc.
Connectors
ILLUSTRATED PARTS CATALOG

60218	Contact, Pin, MIL-C-39029	
	Specification	MIL-C-39029
	P/N	MS24254-20P, superseded by M39029/31-241
	Manufacturer	CORY, CINCH, AMPHENOL
	P/N	CORY #CRM20W-3 CINCH #CN0900-255 AMPHENOL #MS24254-20P
	Crimp Tool	M22520/1-01 with M22520/1-02 (red positioner)
	Insertion Tool	M81969/17-03
	Extraction Tool	M81969/19-07
	Comment	Use with MIL-C-26482 Series I, MIL-C-26500 Series Connectors

Luminescent Systems, Inc.
Connectors
ILLUSTRATED PARTS CATALOG

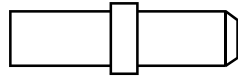


Figure 2009: Illustration of P/N 60286

Luminescent Systems, Inc.
Connectors
ILLUSTRATED PARTS CATALOG

60286	Contact, Pin, MIL-C-26482G	
	Specification	MIL-C-26482G
	P/N	M39029/4-110 M39029/4-20-20 M83723/33B20
	Manufacturer	DEUTSCH
	P/N	DEUTSCH #6041-1-2031 DEUTSCH #12300-01-20 or equiv.
	Crimp Tool	M22520/1-01 with TH260 (DMC), TH278 (DMC) or K257 (DMC) positioner
	Insertion Tool	M81969/14-11
	Extraction Tool	M81969/14-11
	Comment	

Luminescent Systems, Inc.
Connectors
ILLUSTRATED PARTS CATALOG

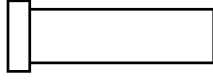


Figure 2010: Illustration of P/N 61317

Luminescent Systems, Inc.
Connectors
ILLUSTRATED PARTS CATALOG

61317	Sleeve, Wire Gauge Adaptor, for 20AWG Contacts to 22AWG Wires	
	Specification	
	Manufacturer	
	P/N	ESC #100060-7 CORY #100060-7
	Crimp Tool	N/A
	Insertion Tool	N/A
	Extraction Tool	N/A
	Comment	

Luminescent Systems, Inc.
Connectors
ILLUSTRATED PARTS CATALOG

DRAWING NOT AVAILABLE

Figure 2011: Illustration of P/N 61547

Luminescent Systems, Inc.
Connectors
ILLUSTRATED PARTS CATALOG

61547	Contact, Terminal Pin, MIL-C-39029, for MIL-T-81714 Series Splices	
	Specification	MIL-C-39029
	P/N	M39029/1-101
	Manufacturer	
	P/N	
	Crimp Tool	M22520/1-01 + M22520/1-02 (red positioner)
	Insertion Tool	M81969/14-02
	Extraction Tool	M81969/14-02
	Comment	

Luminescent Systems, Inc.
Connectors
ILLUSTRATED PARTS CATALOG

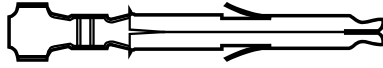


Figure 2012: Illustration of P/N 61887

Luminescent Systems, Inc.
Connectors
ILLUSTRATED PARTS CATALOG

61887	Contact, Socket, 2 Wire (22 AWG), Duplex Finish	
	Specification	AMP 108-1542
	Manufacturer	AMP
	P/N	AMP #770988-3
	Crimp Tool	AMP #90711-2
	Insertion Tool	
	Extraction Tool	
	Comment	Use with AMP Mini-Mate-N-Lok connectors

Luminescent Systems, Inc.
Connectors
ILLUSTRATED PARTS CATALOG

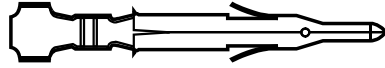


Figure 2013: Illustration of P/N 61889

Luminescent Systems, Inc.
Connectors
ILLUSTRATED PARTS CATALOG

61889	Contact, Pin, 2 Wire (22 AWG), Duplex Finish	
	Specification	AMP 108-1542
	Manufacturer	AMP
	P/N	AMP #770987-3
	Crimp Tool	AMP #90711-2
	Insertion Tool	
	Extraction Tool	
	Comment	Use with AMP Mini-Mate-N-Lok connectors

Luminescent Systems, Inc.
Connectors
ILLUSTRATED PARTS CATALOG

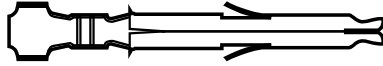


Figure 2014: Illustration of P/N 62046

Luminescent Systems, Inc.
Connectors
ILLUSTRATED PARTS CATALOG

62046	Contact, Socket, 1 Wire (22 AWG), Duplex Finish	
	Specification	AMP 108-1542
	Manufacturer	AMP
	P/N	AMP #770986-3
	Crimp Tool	AMP #90710-2
	Insertion Tool	
	Extraction Tool	
	Comment	Use with AMP Mini-Mate-N-Lok connectors

Luminescent Systems, Inc.
Connectors
ILLUSTRATED PARTS CATALOG

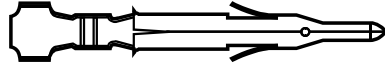


Figure 2015: Illustration of P/N 62047

Luminescent Systems, Inc.
Connectors
ILLUSTRATED PARTS CATALOG

62047	Contact, Pin, 1 Wire (22 AWG), Duplex Finish	
	Specification	AMP 108-1542
	Manufacturer	AMP
	P/N	AMP #770985-3
	Crimp Tool	AMP #90710-2
	Insertion Tool	
	Extraction Tool	
	Comment	Use with AMP Mini-Mate-N-Lok connectors

Luminescent Systems, Inc.
Connectors
ILLUSTRATED PARTS CATALOG

THIS PAGE INTENTIONALLY LEFT BLANK

Luminescent Systems, Inc.
Connectors
ILLUSTRATED PARTS CATALOG

CONNECTOR TOOLS

Luminescent Systems, Inc.
Connectors
ILLUSTRATED PARTS CATALOG

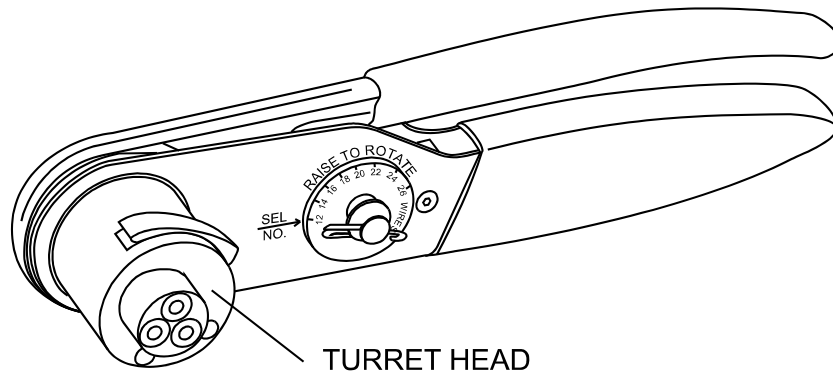


Figure 3001: Illustration of P/N M22520/1-01

Luminescent Systems, Inc.
Connectors
ILLUSTRATED PARTS CATALOG

M22520/1-01	Crimptool, 8 Impressions		
	Specification	MIL-C-22520/1	
	Manufacturer	DMC, ASTRO	
	P/N	DMC #AF8 ASTRO #615708	
	Accessories	M22520/1-02	Turret Head Positioner
	Comment		

Luminescent Systems, Inc.
Connectors
ILLUSTRATED PARTS CATALOG

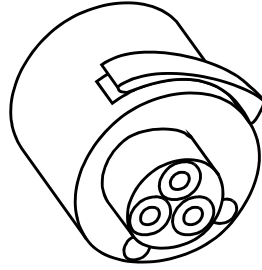


Figure 3002: Illustration of P/N M22520/1-02

Luminescent Systems, Inc.
Connectors
ILLUSTRATED PARTS CATALOG

M22520/1-02	Positioner, Turret Head, 12-26 AWG	
	Specification	MIL-C-22520/1
	Manufacturer	DMC, ASTRO
	P/N	DMC #TH1A ASTRO #615709
	Comment	

Luminescent Systems, Inc.
Connectors
ILLUSTRATED PARTS CATALOG

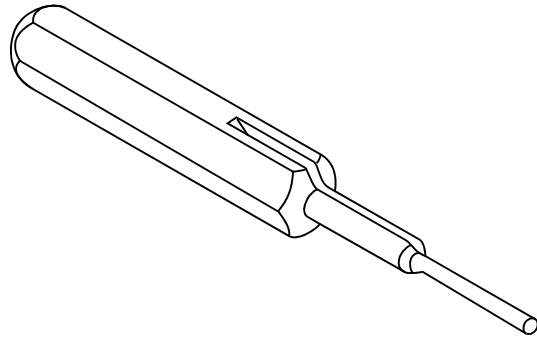


Figure 3003: Illustration of P/N M81969/17-04

Luminescent Systems, Inc.
Connectors
ILLUSTRATED PARTS CATALOG

M81969/17-04	Contact Insertion Tool	
	Specification	MS24256A16 superseded by M81969/17-04
	P/N	M81969/17-04
	Manufacturer	DMC, ASTRO
	P/N	DMC #DAK16B ASTRO #ATML 1704
	Comment	Use with MIL-C-26482 Series I and MIL-C-26500 Series Size 16 contacts.

Luminescent Systems, Inc.
Connectors
ILLUSTRATED PARTS CATALOG

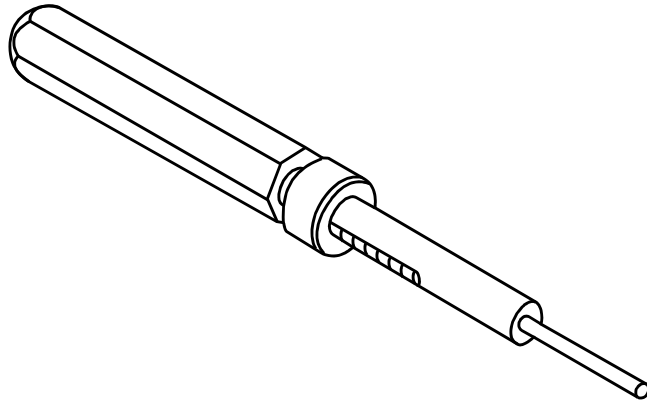


Figure 3004: Illustration of P/N M81969/19-08

Luminescent Systems, Inc.
Connectors
ILLUSTRATED PARTS CATALOG

M81969/19-08	Contact Extraction Tool	
	Specification	MS24256R16 superseded by M81969/19-08
	P/N	M81969/19-08
	Manufacturer	DMC, ASTRO
	P/N	DMC #DRK16A ASTRO #ATML 1908
	Comment	Use with MIL-C-26482 Series I and MIL-C-26500 Series Size 16 contacts.

Luminescent Systems, Inc.
Connectors
ILLUSTRATED PARTS CATALOG

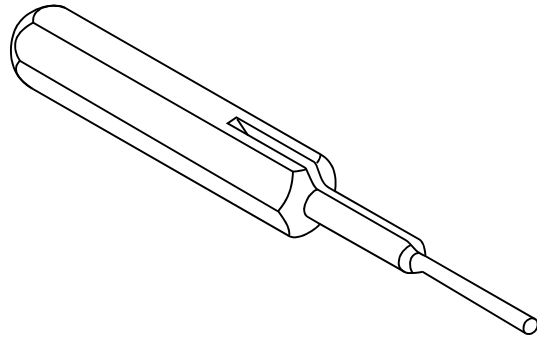


Figure 3005: Illustration of P/N M81969/17-03

Luminescent Systems, Inc.
Connectors
ILLUSTRATED PARTS CATALOG

M81969/17-03	Contact Insertion Tool	
	Specification	MS24256A20 superseded by M81969/17-03
	P/N	M81969/17-03
	Manufacturer	DMC, ASTRO
	P/N	DMC #DAK20B ASTRO #ATML 1703
	Comment	Use with MIL-C-26482 Series I and MIL-C-26500 Series Size 20 contacts.

Luminescent Systems, Inc.
Connectors
ILLUSTRATED PARTS CATALOG

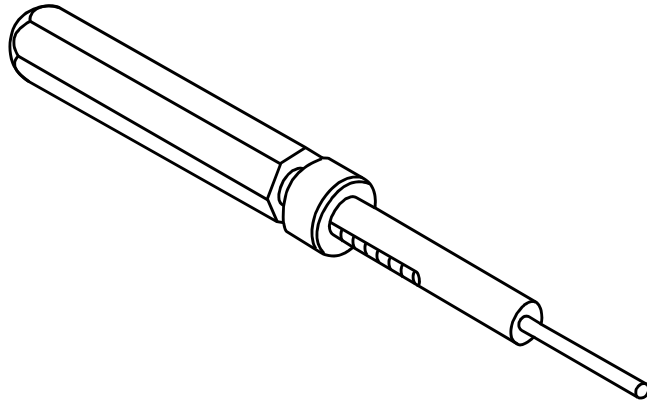


Figure 3006: Illustration of P/N M81969/19-07

Luminescent Systems, Inc.
Connectors
ILLUSTRATED PARTS CATALOG

M81969/19-07	Contact Extraction Tool	
	Specification	MS24256R20 superseded by M81969/19-06
	P/N	M81969/19-06
	Manufacturer	DMC, ASTRO
	P/N	DMC #DRK20B ASTRO #ATML 1907
	Comment	Use with MIL-C-26482 Series I and MIL-C-26500 Series Size 20 contacts.

Luminescent Systems, Inc.
Connectors
ILLUSTRATED PARTS CATALOG

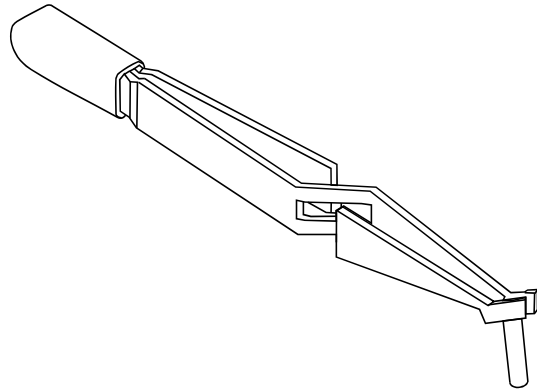


Figure 3007: Illustration of P/N M81969/8-206B

Luminescent Systems, Inc.
Connectors
ILLUSTRATED PARTS CATALOG

M81969/8-207	Contact Insertion Tool	
	Specification	
	P/N	M81969/8-207
	Manufacturer	DMC, ASTRO
	P/N	DMC #DAK83-16B ASTRO #ATML 08207B
	Comment	Use with MIL-C-26482 Series II and MIL-C-83723 Series II and Series III size 16 contacts.

Luminescent Systems, Inc.
Connectors
ILLUSTRATED PARTS CATALOG

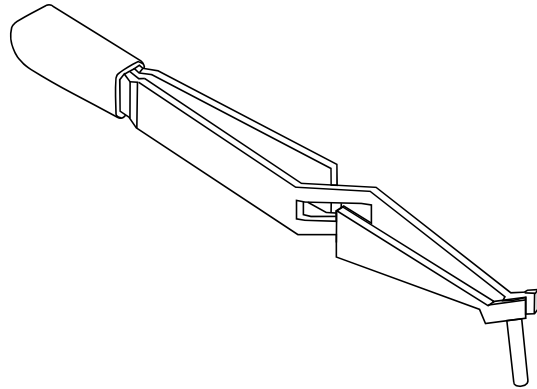


Figure 3008: Illustration of P/N M81969/8-208

Luminescent Systems, Inc.
Connectors
ILLUSTRATED PARTS CATALOG

M81969/8-208	Contact Extraction Tool	
	Specification	
	P/N	M81969/8-208
	Manufacturer	DMC, Astro
	P/N	DMC #DRK83-16B Astro #ATML 08208B
	Comment	Use with MIL-C-26482 Series II and MIL-C-83723 Series II and Series III size 16 contacts.

Luminescent Systems, Inc.
Connectors
ILLUSTRATED PARTS CATALOG

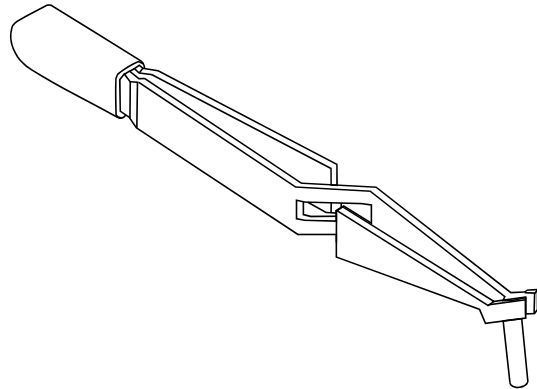


Figure 3009: Illustration of P/N M81969/8-205B

Luminescent Systems, Inc.
Connectors
ILLUSTRATED PARTS CATALOG

M81969/8-205B	Contact Insertion Tool	
	Specification	
	P/N	M81969/8-205B
	Manufacturer	DMC, ASTRO
	P/N	DMC #DAK83-20B ASTRO #ATML 08205B
	Comment	Use with MIL-C-26482 Series II and MIL-C-83723 Series II and Series III size 16 contacts.

Luminescent Systems, Inc.
Connectors
ILLUSTRATED PARTS CATALOG

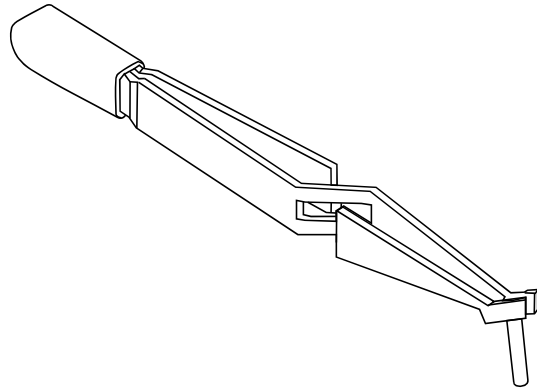


Figure 3010: Illustration of P/N M81969/8-206B

Luminescent Systems, Inc.
Connectors
ILLUSTRATED PARTS CATALOG

M81969/8-206B	Contact Extraction Tool	
	Specification	
	P/N	M81969/8-206B
	Manufacturer	DMC, ASTRO
	P/N	DMC #DRK83-20B ASTRO #08206B
	Comment	Use with MIL-C-26482 Series II and MIL-C-83723 Series II and Series III size 16 contacts.

Luminescent Systems, Inc.
Connectors
ILLUSTRATED PARTS CATALOG

DRAWING NOT AVAILABLE

Figure 3011: Illustration of P/N 90710-2

Luminescent Systems, Inc.
Connectors
ILLUSTRATED PARTS CATALOG

90710-2	Crimptool, AMP Mini-Mate-N-LOK	
	Manufacturer	AMP
	P/N	AMP #90710-2
	Comment	

Luminescent Systems, Inc.
Connectors
ILLUSTRATED PARTS CATALOG

DRAWING NOT AVAILABLE

Figure 3012: Illustration of P/N 90711-2

Luminescent Systems, Inc.
Connectors
ILLUSTRATED PARTS CATALOG

90711-2	Crimptool, AMP Mini-Mate-N-LOK	
	Manufacturer	AMP
	P/N	AMP #90711-2
	Comment	

Luminescent Systems, Inc.
Connectors
ILLUSTRATED PARTS CATALOG

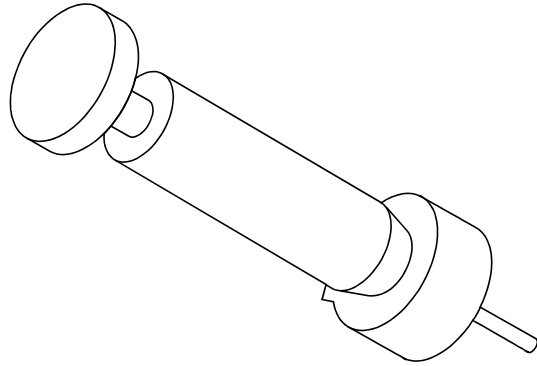


Figure 3013: Illustration of P/N 189727-1

Luminescent Systems, Inc.
Connectors
ILLUSTRATED PARTS CATALOG

189727-1	Contact Extraction Tool, AMP Mini-Mate-N-LOK	
	Manufacturer	AMP
	P/N	AMP #189727-1
	Comment	

Luminescent Systems, Inc.
Connectors
ILLUSTRATED PARTS CATALOG

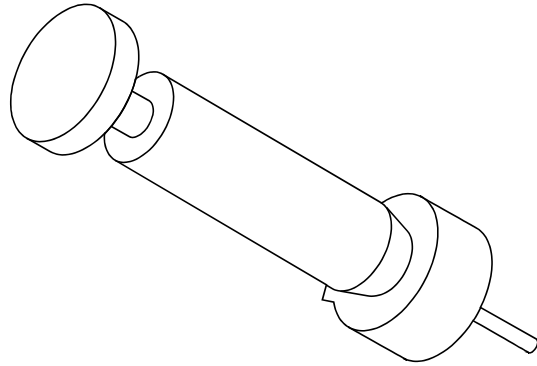


Figure 3014: Illustration of P/N 458994-2

Luminescent Systems, Inc.
Connectors
ILLUSTRATED PARTS CATALOG

458994-2	Contact Extraction Tool, AMP Mate-N-LOK	
	Manufacturer	AMP
	P/N	AMP #458994-2
	Comment	

Luminescent Systems, Inc.
Connectors
ILLUSTRATED PARTS CATALOG

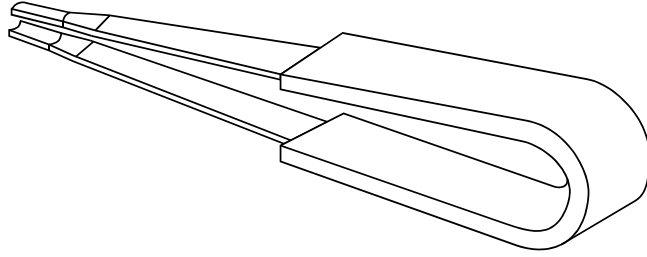


Figure 3015: Illustration of P/N 455830-1

Luminescent Systems, Inc.
Connectors
ILLUSTRATED PARTS CATALOG

455830-1	Contact Insertion Tool, AMP Mini-Mate-N-LOK	
	Specification	
	Manufacturer	AMP
	P/N	AMP #455830-1
	Comment	

Luminescent Systems, Inc.
Connectors
ILLUSTRATED PARTS CATALOG

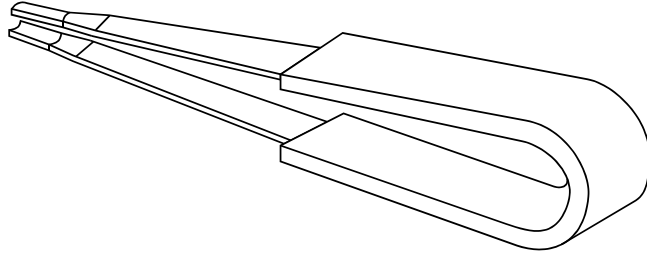


Figure 3016: Illustration of P/N 455830-2

Luminescent Systems, Inc.
Connectors
ILLUSTRATED PARTS CATALOG

455830-2	Contact Insertion Tool, AMP Mate-N-LOK	
	Specification	
	Manufacturer	AMP
	P/N	AMP #455830-2
	Comment	

Luminescent Systems, Inc.
Connectors
ILLUSTRATED PARTS CATALOG

THIS PAGE INTENTIONALLY LEFT BLANK