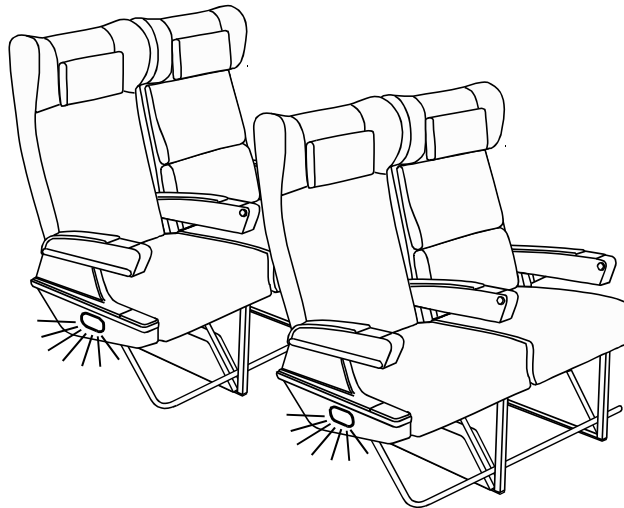


ILLUSTRATED PARTS CATALOG

Seat Mounted Emergency Egress Lighting (SEEL)

**Floor Proximity Emergency Escape Path Marking
System (FPEEPMS)**



LUMINESCENT SYSTEMS, Inc.
4 Lucent Drive
Lebanon, NH 03766
USA

Tel 603 643 7766
Fax 603 643 5947

V32890

33-50-07

Rev 0, May 31, 2003

Luminescent Systems, Inc.
Seat Mounted Emergency Egress Lighting FPEEPMS
ILLUSTRATED PARTS CATALOG

COPYRIGHT AND PROPRIETARY

COPYRIGHT © 2003 Luminescent Systems Inc.

All rights reserved. No part of this document may be reproduced or transmitted in any form or by any means, electronic or mechanical, including photocopying and recording, or by any information storage or retrieval system, without the express written consent of an authorized representative of the Publisher, Luminescent Systems, Inc. (LSI). All correspondence and inquiries should be directed to:

Luminescent Systems, Inc.
Attn. Aircraft Lighting Program Manager
4, Lucent Drive
Lebanon, NH 03766
USA

PROPRIETARY

All illustrations and information within this technical document are the proprietary property of Luminescent Systems, Inc., and shall not be used in whole or in part without the express written consent of an authorized representative of the Publisher:

Luminescent Systems, Inc.
4, Lucent Drive
Lebanon, NH 03766
USA

Luminescent Systems, Inc.
Seat Mounted Emergency Egress Lighting FPEEPMS
ILLUSTRATED PARTS CATALOG

THIS PAGE INTENTIONALLY LEFT BLANK

Luminescent Systems, Inc.
Seat Mounted Emergency Egress Lighting FPEEPMS
ILLUSTRATED PARTS CATALOG

HIGHLIGHTS

This document represents the initial release of the Illustrated Parts Catalog for the LSI Seat Mounted Electroluminescent Emergency Egress Lighting (SEEL) System providing floor mounted Floor Proximity Escape Path Marking using electroluminescent lighting technology.

This document is to be used in conjunction with the following documents:
33-50-12 IPC, Connectors

Luminescent Systems, Inc.
Seat Mounted Emergency Egress Lighting FPEEPMS
ILLUSTRATED PARTS CATALOG

THIS PAGE INTENTIONALLY LEFT BLANK

Luminescent Systems, Inc.
Seat Mounted Emergency Egress Lighting FPEEPMS
ILLUSTRATED PARTS CATALOG

THIS PAGE INTENTIONALLY LEFT BLANK

Luminescent Systems, Inc.
Seat Mounted Emergency Egress Lighting FPEEPMS
ILLUSTRATED PARTS CATALOG

THIS PAGE INTENTIONALLY LEFT BLANK

Luminescent Systems, Inc.
Seat Mounted Emergency Egress Lighting FPEEPMS
ILLUSTRATED PARTS CATALOG

THIS PAGE INTENTIONALLY LEFT BLANK

Luminescent Systems, Inc.
Seat Mounted Emergency Egress Lighting FPEEPMS
ILLUSTRATED PARTS CATALOG

LIST OF EFFECTIVE PAGES

PAGE	NO.	ISSUE
-	Title	May 31, 2003
-	(blank)	May 31, 2003
CP-1	through CP-1	May 31, 2003
CP-2	(blank)	May 31, 2003
Highlights 1	through Highlights 1	May 31, 2003
Highlights 2	(blank)	May 31, 2003
ROR-1	through ROR-1	May 31, 2003
ROR-2	(blank)	May 31, 2003
RTR-1	through RTR-1	May 31, 2003
RTR-2	(blank)	May 31, 2003
SBL-1	through SBL-1	May 31, 2003
SBL-2	(blank)	May 31, 2003
LEP-1	through LEP-1	May 31, 2003
LEP-2	(blank)	May 31, 2003
TOC-1	through TOC-1	May 31, 2003
TOC-2	(blank)	May 31, 2003
LOF-1	through LOF-1	May 31, 2003
LOF-2	(blank)	May 31, 2003
LOT-1	through LOT-1	May 31, 2003
LOT-2	(blank)	May 31, 2003
1	through 31	May 31, 2003
32	(blank)	May 31, 2003

Luminescent Systems, Inc.
Seat Mounted Emergency Egress Lighting FPEEPMS
ILLUSTRATED PARTS CATALOG

THIS PAGE INTENTIONALLY LEFT BLANK

Luminescent Systems, Inc.
 Seat Mounted Emergency Egress Lighting FPEEPMS
 ILLUSTRATED PARTS CATALOG

TABLE OF CONTENTS

SUBJECT	PAGE
COPYRIGHT AND PROPRIETARY	CP-1
HIGHLIGHTS	HIGHLIGHTS-1
RECORD OF REVISIONS	ROR-1
RECORD OF TEMPORARY REVISIONS	RTR-1
SERVICE BULLETIN LIST	SBL-1
LIST OF EFFECTIVE PAGES	LEP-1
TABLE OF CONTENTS	LEP-1
LIST OF FIGURES	TOC-1
LIST OF TABLES	LOF-1
SEEL LIGHTS	1
7850-1 Seat Light, EL, 9", White Lit, Beige Border	3
7867-1 Seat Light, EL, 9", Green Lit, Beige Border	3
8074-1 Seat Light, EL, 9", Green, Grey Border	3
7894-1 Seat Light, EL, 5.5", Green Lit, Beige Border	5
7902-1 Seat Light, EL, 5.5", Green Lit, Beige Border	5
8030-1 Seat Light, EL, 5.5", White Lit, Beige Border	5
8076-1 Seat Light, EL, 5.5", Green Lit, Grey Border	5
7948-1 Seat Light, EL, Green Lit, Beige Border	7
7975-1 Seat Light, EL, Green Lit, Clear Border	9
8009-1 Seat Light, EL, Green Lit, Clear Border	11
SEEL LIGHTS WITH ARROWS	13
7854-1 Seat Light, EL, 9", White Lit with Arrows, Beige Border	15
7896-1 Seat Light, EL, 5.5", Green Lit with Arrow, Beige Border	17
7904-1 Seat Light, EL, 5.5", Green Lit with Arrow, Beige Border	17
8022-1 Seat Light, EL, Green with Red Arrows, Clear Border	19
SEEL LIGHTS WITH RED OVERLAY	21
7869-1 Seat Light, EL, 9", ½ Green ½ Red, Beige Border	23
8075-1 Seat Light, EL, 9", ½ Green ½ Red, Grey Border	23
7895-1 Seat Light, EL, 5.5", Red Lit, Beige Border	25
7949-1 Seat Light, EL, ½ Green ½ Red, Beige Border	27
8010-1 Seat Light, EL, ½ Green ½ Red, Clear Border	29
8185-1 Seat Light, EL, ½ Green ½ Red, Clear Border	31

Luminescent Systems, Inc.
Seat Mounted Emergency Egress Lighting FPEEPMS
ILLUSTRATED PARTS CATALOG

THIS PAGE INTENTIONALLY LEFT BLANK

Luminescent Systems, Inc.
Seat Mounted Emergency Egress Lighting FPEEPMS
ILLUSTRATED PARTS CATALOG

LIST OF FIGURES

FIGURE	DESCRIPTION	PAGE
Figure 10001:	Illustration for 9" SEEL Striplights	2
Figure 10002:	Illustration for 5.5" SEEL Striplights	4
Figure 10003:	Illustration for 7948-1 SEEL Light	6
Figure 10004:	Illustration for 7975-1 SEEL Light	8
Figure 10005:	Illustration for 8009-1 SEEL Light	10
Figure 10006:	Illustration for 9" SEEL Striplights with Arrows	14
Figure 10007:	Illustration for 5.5" SEEL Striplights with Arrow	16
Figure 10008:	Illustration for 8022-1 SEEL Light with Arrows	18
Figure 10009:	Illustration for 9" SEEL Striplights with Red Overlay	22
Figure 10010:	Illustration for 5.5" SEEL Striplights with Red Overlay	24
Figure 10011:	Illustration for 7949-1 SEEL Light with Red Overlay	26
Figure 10012:	Illustration for 8010-1 SEEL Light with Red Overlay	28
Figure 10013:	Illustration for 8185-1 SEEL Light with Red Overlay	30

Luminescent Systems, Inc.
Seat Mounted Emergency Egress Lighting FPEEPMS
ILLUSTRATED PARTS CATALOG

THIS PAGE INTENTIONALLY LEFT BLANK

Luminescent Systems, Inc.
Seat Mounted Emergency Egress Lighting FPEEPMS
ILLUSTRATED PARTS CATALOG

LIST OF TABLES

TABLE N°	TITLE	PAGE
----------	-------	------

Luminescent Systems, Inc.
Seat Mounted Emergency Egress Lighting FPEEPMS
ILLUSTRATED PARTS CATALOG

THIS PAGE INTENTIONALLY LEFT BLANK

Luminescent Systems, Inc.
Seat Mounted Emergency Egress Lighting FPEEPMS
ILLUSTRATED PARTS CATALOG

SEEL LIGHTS

Luminescent Systems, Inc.
 Seat Mounted Emergency Egress Lighting FPEEPMS
 ILLUSTRATED PARTS CATALOG

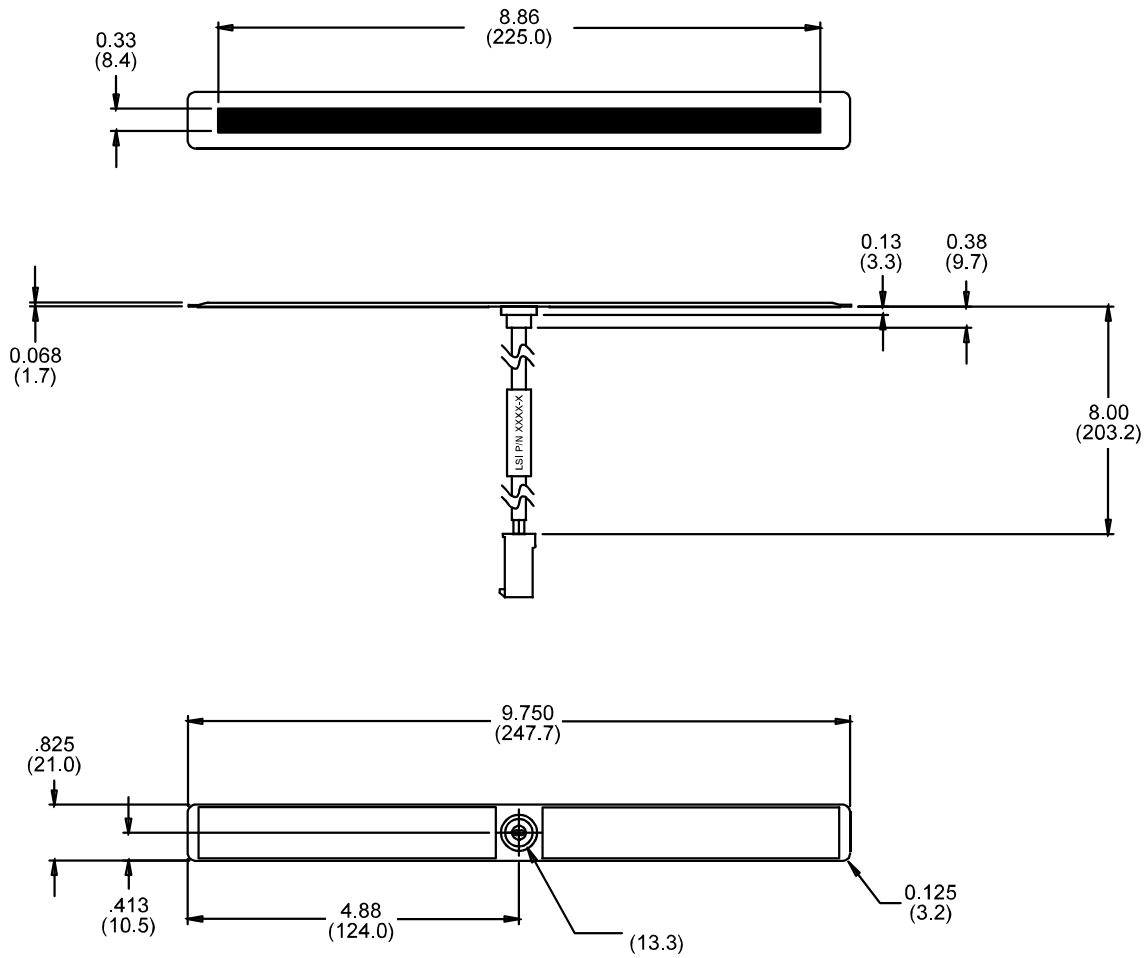


Figure 10001: Illustration for 9" SEEL Striplights

Luminescent Systems, Inc.
 Seat Mounted Emergency Egress Lighting FPEEPMS
 ILLUSTRATED PARTS CATALOG

7850-1	Seat Light, EL, 9", White Lit, Beige Border		
7867-1	Seat Light, EL, 9", Green Lit, Beige Border		
8074-1	Seat Light, EL, 9", Green, Grey Border		
	Figure N°	10001	
	Termination	8" Round Wires (22 AWG)	
	Connector(s)	LSI #61888	Housing, Cap
	Contacts	LSI #62048	Contact, Socket
	Lit Area Size	3.0 in ²	
	Weight	0.81 oz	23 g
	Input Voltage	115VAC	Typical
	Input Frequency	400 Hz	Typical
	Input Current	5.0 mA Max.	@115VAC/400Hz
	CMM	33-50-06	

Luminescent Systems, Inc.
 Seat Mounted Emergency Egress Lighting FPEEPMS
 ILLUSTRATED PARTS CATALOG

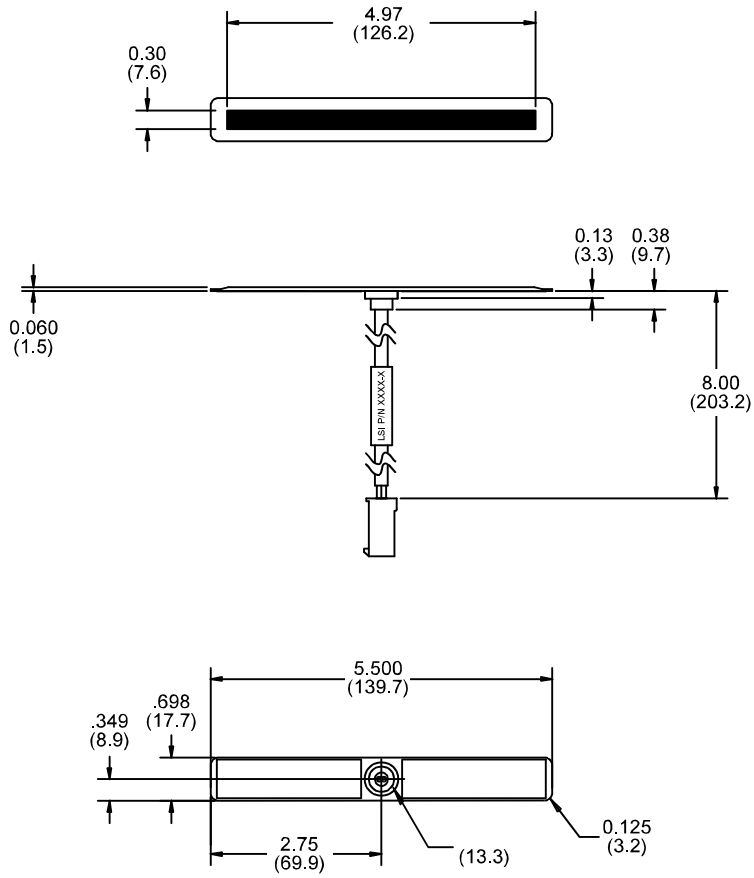


Figure 10002:Illustration for 5.5" SEEL Striplights

Luminescent Systems, Inc.
 Seat Mounted Emergency Egress Lighting FPEEPMS
 ILLUSTRATED PARTS CATALOG

7894-1	Seat Light, EL, 5.5", Green Lit, Beige Border		
7902-1	Seat Light, EL, 5.5", Green Lit, Beige Border		
8030-1	Seat Light, EL, 5.5", White Lit, Beige Border		
8076-1	Seat Light, EL, 5.5", Green Lit, Grey Border		
	Figure N°	10002	
	Termination	8" Round Wires (22 AWG)	
	Connector(s)	LSI #61888	Housing, Cap
	Contacts	LSI #62048	Contact, Socket
	Lit Area Size	1.5 in ²	
	Weight	0.53 oz	15 g
	Input Voltage	115VAC	Typical
	Input Frequency	400 Hz	Typical
	Input Current	2.5 mA Max.	@115VAC/400Hz
	CMM	33-50-06	

Luminescent Systems, Inc.
Seat Mounted Emergency Egress Lighting FPEEPMS
ILLUSTRATED PARTS CATALOG

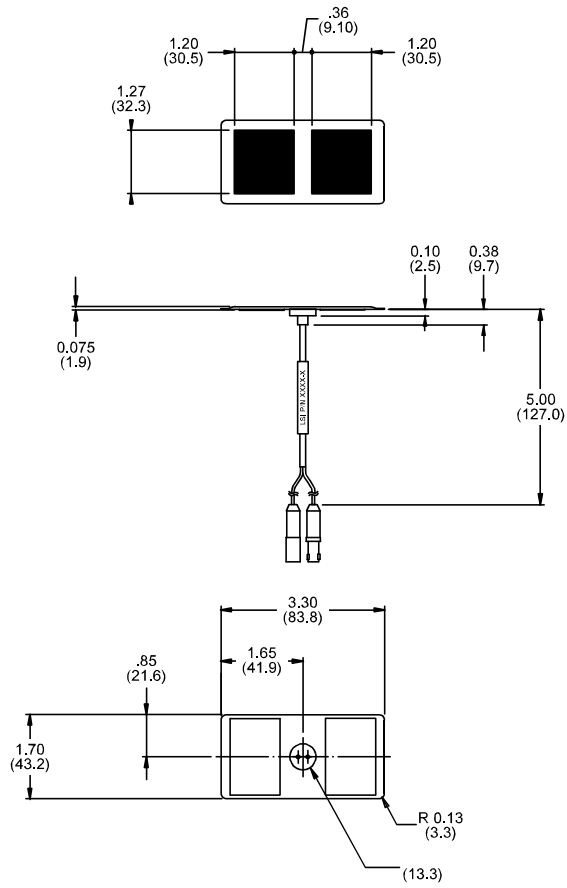


Figure 10003:Illustration for 7948-1 SEEL Light

Luminescent Systems, Inc.
 Seat Mounted Emergency Egress Lighting FPEEPMS
 ILLUSTRATED PARTS CATALOG

7948-1	Seat Light, EL, Green Lit, Beige Border			
	Figure N°	10003		
	Termination	5" Round Wires (22 AWG)		
	Connector(s)	1 x LSI #60184	Housing, Plug	
		1 x LSI #60185	Housing, Receptacle	
	Lit Area Size	3.0 in ²		
	Weight	0.74 oz	21 g	
		Input Voltage	115VAC	Typical
	Input Frequency	400 Hz	Typical	
	Input Current	5.0 mA Max.	@115VAC/400Hz	
	CMM	33-50-06		

Luminescent Systems, Inc.
Seat Mounted Emergency Egress Lighting FPEEPMS
ILLUSTRATED PARTS CATALOG

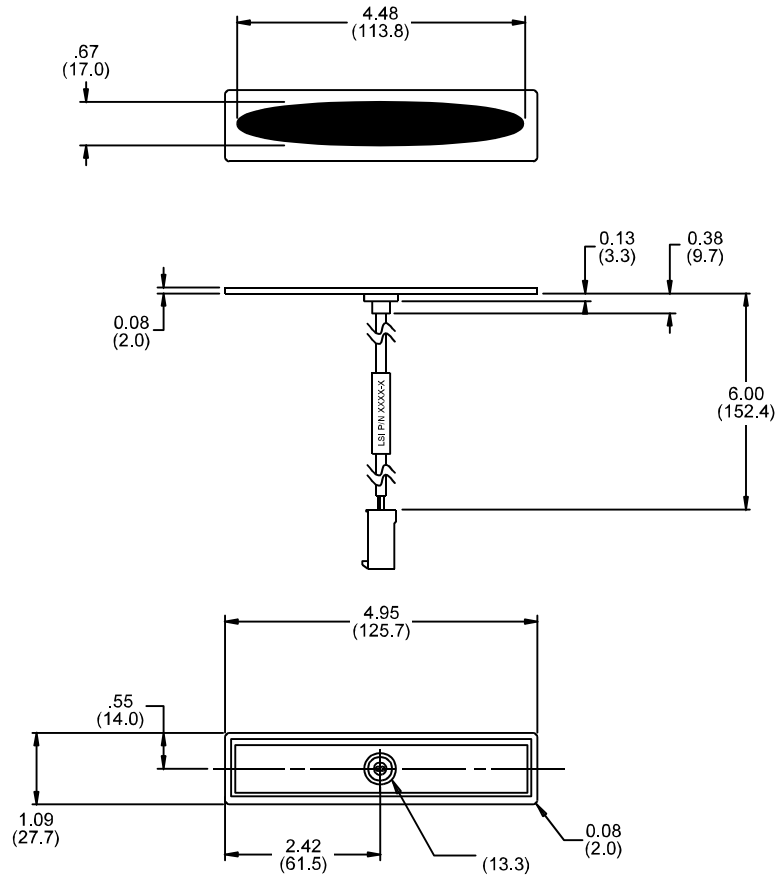


Figure 10004: Illustration for 7975-1 SEEL Light

Luminescent Systems, Inc.
 Seat Mounted Emergency Egress Lighting FPEEPMS
 ILLUSTRATED PARTS CATALOG

7975-1	Seat Light, EL, Green Lit, Clear Border		
	Figure N°	10004	
	Termination	6" Round Wires (22 AWG)	
	Connector(s)	LSI #61888	Housing, Cap
	Contacts	LSI #62048	Contact, Socket
	Lit Area Size	2.75 in ²	
	Weight	0.71 oz	20 g
	Input Voltage	115VAC	Typical
	Input Frequency	400 Hz	Typical
	Input Current	4.5 mA Max.	@115VAC/400Hz
	CMM	33-50-06	

Luminescent Systems, Inc.
 Seat Mounted Emergency Egress Lighting FPEEPMS
 ILLUSTRATED PARTS CATALOG

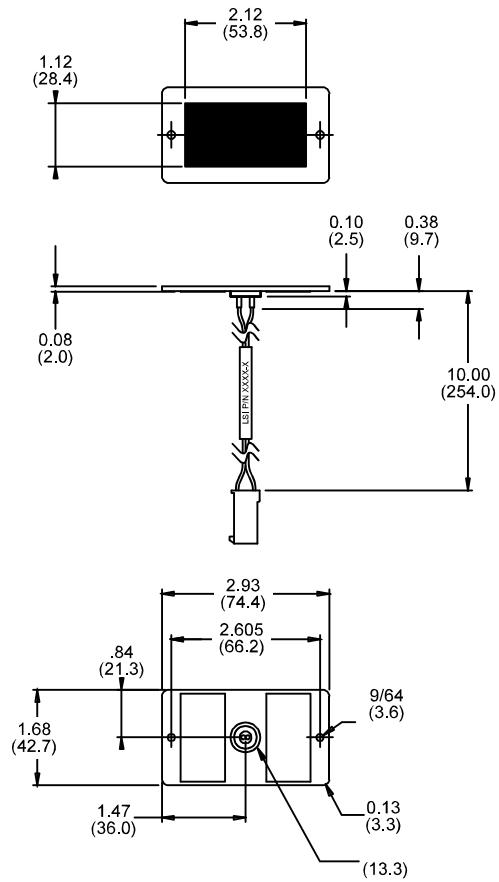


Figure 10005: Illustration for 8009-1 SEEL Light

Luminescent Systems, Inc.
 Seat Mounted Emergency Egress Lighting FPEEPMS
 ILLUSTRATED PARTS CATALOG

8009-1	Seat Light, EL, Green Lit, Clear Border		
	Figure N°	10005	
	Termination	10" Round Wires (22 AWG)	
	Connector(s)	LSI #61888	Housing, Cap
	Contacts	LSI #62048	Contact, Socket
	Lit Area Size	2.4 in ²	
	Weight	0.71 oz	20 g
	Input Voltage	115VAC	Typical
	Input Frequency	400 Hz	Typical
	Input Current	4.0 mA Max.	@115VAC/400Hz
	CMM	33-50-06	

Luminescent Systems, Inc.
Seat Mounted Emergency Egress Lighting FPEEPMS
ILLUSTRATED PARTS CATALOG

THIS PAGE INTENTIONALLY LEFT BLANK

Luminescent Systems, Inc.
Seat Mounted Emergency Egress Lighting FPEEPMS
ILLUSTRATED PARTS CATALOG

SEEL LIGHTS WITH ARROWS

Luminescent Systems, Inc.
 Seat Mounted Emergency Egress Lighting FPEEPMS
 ILLUSTRATED PARTS CATALOG

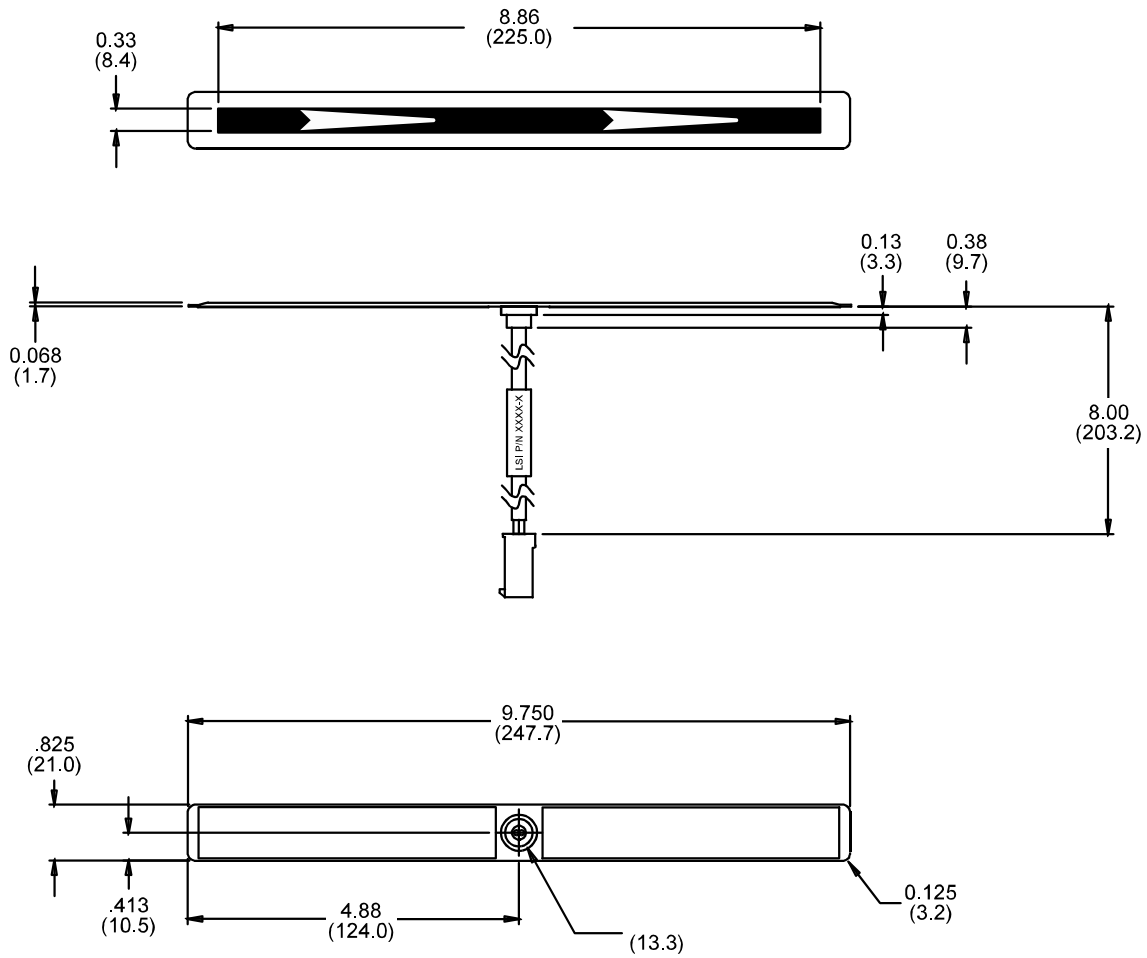


Figure 10006: Illustration for 9" SEEL Striplights with Arrows

Luminescent Systems, Inc.
 Seat Mounted Emergency Egress Lighting FPEEPMS
 ILLUSTRATED PARTS CATALOG

7854-1	Seat Light, EL, 9", White Lit with Arrows, Beige Border		
	Figure N°	10006	
	Termination	8" Round Wires (22 AWG)	
	Connector(s)	LSI #61888	Housing, Cap
	Contacts	LSI #62048	Contact, Socket
	Lit Area Size	3.0 in ²	
	Weight	0.81 oz	23 g
	Input Voltage	115VAC	Typical
	Input Frequency	400 Hz	Typical
	Input Current	5.0 mA Max.	@115VAC/400Hz
	CMM	33-50-06	

Luminescent Systems, Inc.
 Seat Mounted Emergency Egress Lighting FPEEPMS
 ILLUSTRATED PARTS CATALOG

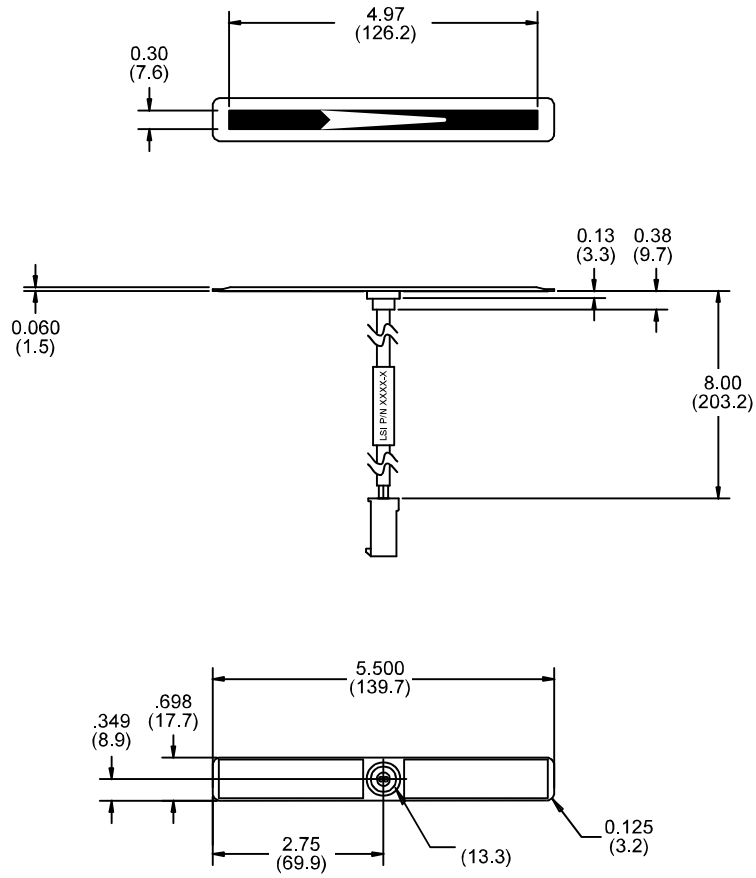


Figure 10007: Illustration for 5.5" SEEL Striplights with Arrow

Luminescent Systems, Inc.
 Seat Mounted Emergency Egress Lighting FPEEPMS
 ILLUSTRATED PARTS CATALOG

7896-1	Seat Light, EL, 5.5", Green Lit with Arrow, Beige Border		
7904-1	Seat Light, EL, 5.5", Green Lit with Arrow, Beige Border		
	Figure N°	10007	
	Termination	8" Round Wires (22 AWG)	
	Connector(s)	LSI #61888	Housing, Cap
	Contacts	LSI #62048	Contact, Socket
	Lit Area Size	1.5 in ²	
	Weight	0.53 oz	15 g
	Input Voltage	115VAC	Typical
	Input Frequency	400 Hz	Typical
	Input Current	2.5 mA Max.	@115VAC/400Hz
	CMM	33-50-06	

Luminescent Systems, Inc.
Seat Mounted Emergency Egress Lighting FPEEPMS
ILLUSTRATED PARTS CATALOG

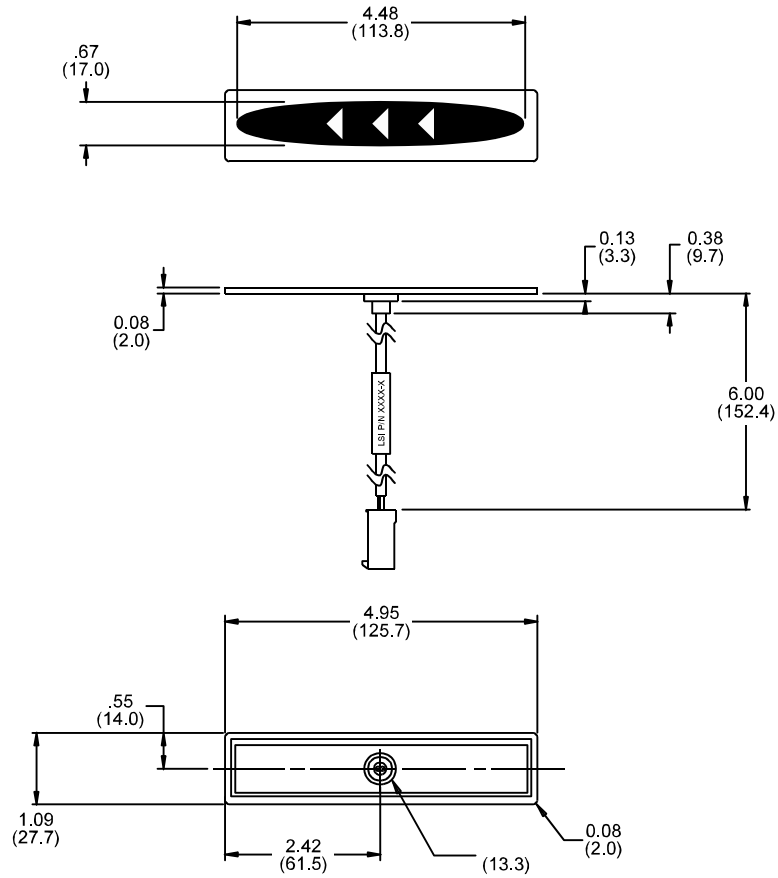


Figure 10008: Illustration for 8022-1 SEEL Light with Arrows

Luminescent Systems, Inc.
 Seat Mounted Emergency Egress Lighting FPEEPMS
 ILLUSTRATED PARTS CATALOG

8022-1	Seat Light, EL, Green with Red Arrows, Clear Border		
	Figure N°	10008	
	Termination	6" Round Wires (22 AWG)	
	Connector(s)	LSI #61888	Housing, Cap
	Contacts	LSI #62048	Contact, Socket
	Lit Area Size	2.75 in ²	
	Weight	0.71 oz	20 g
	Input Voltage	115VAC	Typical
	Input Frequency	400 Hz	Typical
	Input Current	4.5 mA Max.	@115VAC/400Hz
	CMM	33-50-06	

Luminescent Systems, Inc.
Seat Mounted Emergency Egress Lighting FPEEPMS
ILLUSTRATED PARTS CATALOG

THIS PAGE INTENTIONALLY LEFT BLANK

Luminescent Systems, Inc.
Seat Mounted Emergency Egress Lighting FPEEPMS
ILLUSTRATED PARTS CATALOG

SEEL LIGHTS WITH RED OVERLAY

Luminescent Systems, Inc.
 Seat Mounted Emergency Egress Lighting FPEEPMS
 ILLUSTRATED PARTS CATALOG

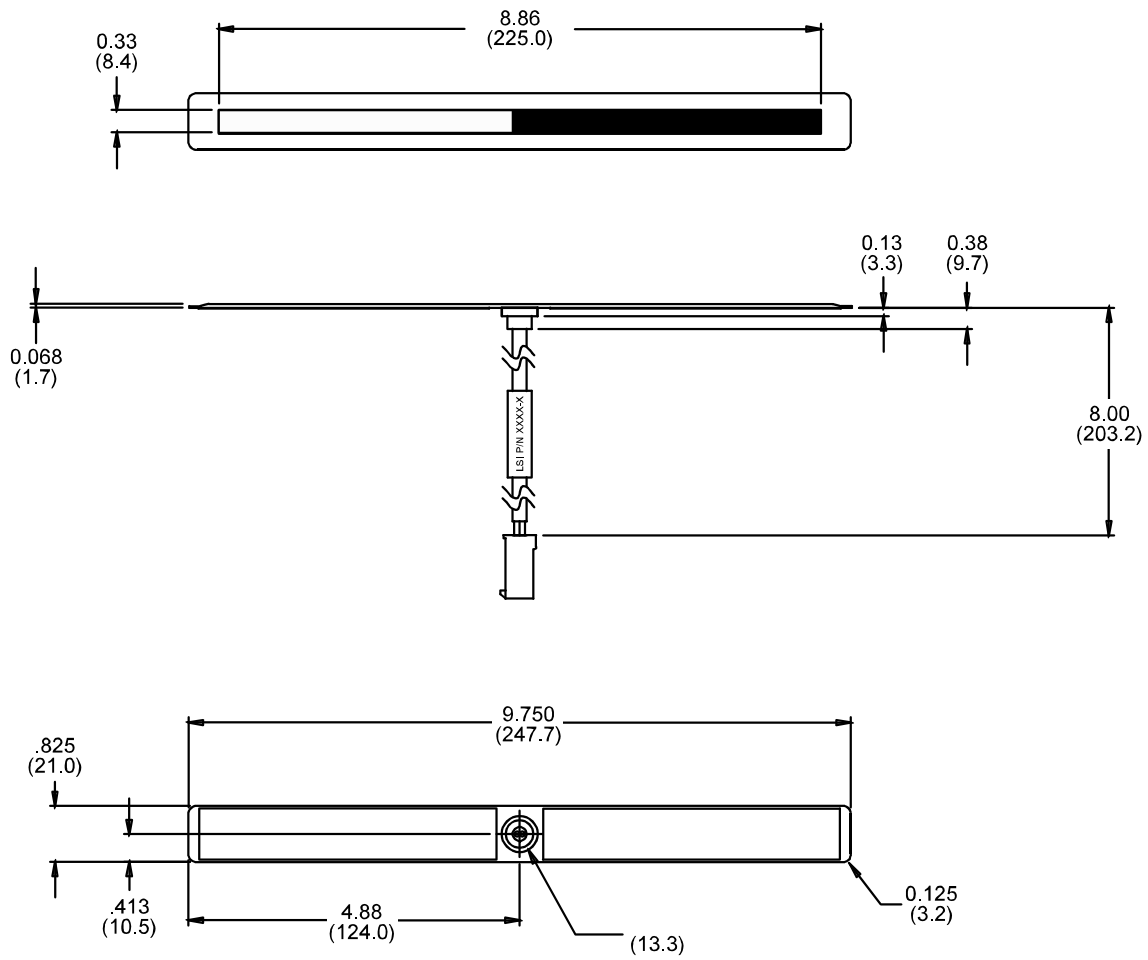


Figure 10009: Illustration for 9" SEEL Striplights with Red Overlay

Luminescent Systems, Inc.
 Seat Mounted Emergency Egress Lighting FPEEPMS
 ILLUSTRATED PARTS CATALOG

7869-1	Seat Light, EL, 9", ½ Green ½ Red, Beige Border		
8075-1	Seat Light, EL, 9", ½ Green ½ Red, Grey Border		
	Figure N°	10009	
	Termination	8" Round Wires (22 AWG)	
	Connector(s)	LSI #61888	Housing, Cap
	Contacts	LSI #62048	Contact, Socket
	Lit Area Size	3.0 in ²	
	Weight	0.81 oz	23 g
	Input Voltage	115VAC	Typical
	Input Frequency	400 Hz	Typical
	Input Current	5.0 mA Max.	@115VAC/400Hz
	CMM	33-50-06	

Luminescent Systems, Inc.
 Seat Mounted Emergency Egress Lighting FPEEPMS
 ILLUSTRATED PARTS CATALOG

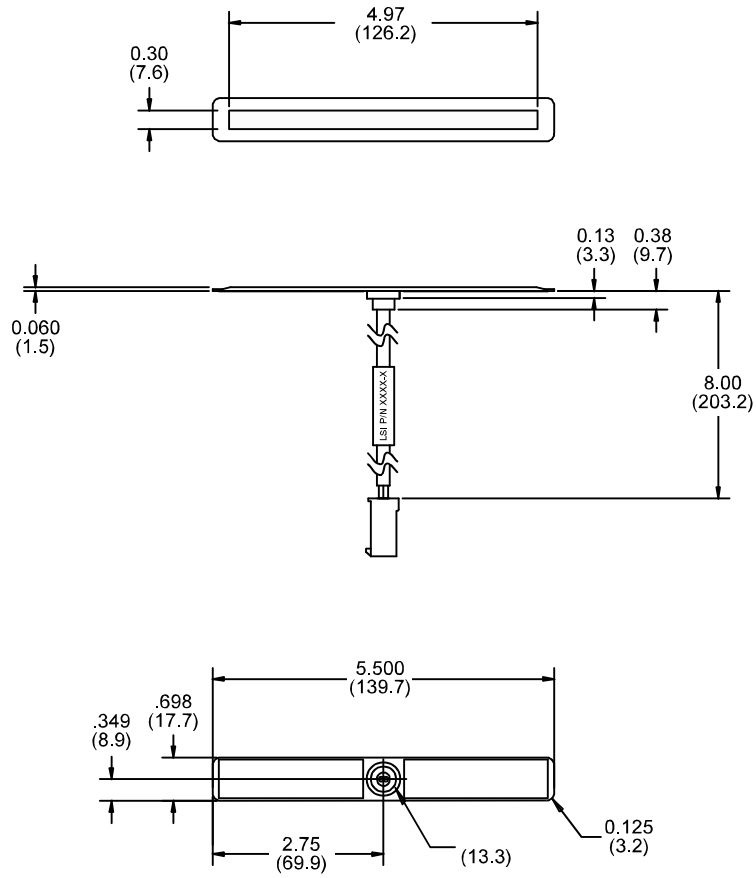


Figure 10010:Illustration for 5.5" SEEL Striplights with Red Overlay

Luminescent Systems, Inc.
 Seat Mounted Emergency Egress Lighting FPEEPMS
 ILLUSTRATED PARTS CATALOG

7895-1	Seat Light, EL, 5.5", Red Lit, Beige Border		
	Figure N°	10010	
	Termination	8" Round Wires (22 AWG)	
	Connector(s)	LSI #61888	Housing, Cap
	Contacts	LSI #62048	Contact, Socket
	Lit Area Size	1.5 in ²	
	Weight	0.53 oz	15 g
	Input Voltage	115VAC	Typical
	Input Frequency	400 Hz	Typical
	Input Current	2.5 mA Max.	@115VAC/400Hz
	CMM	33-50-06	

Luminescent Systems, Inc.
 Seat Mounted Emergency Egress Lighting FPEEPMS
 ILLUSTRATED PARTS CATALOG

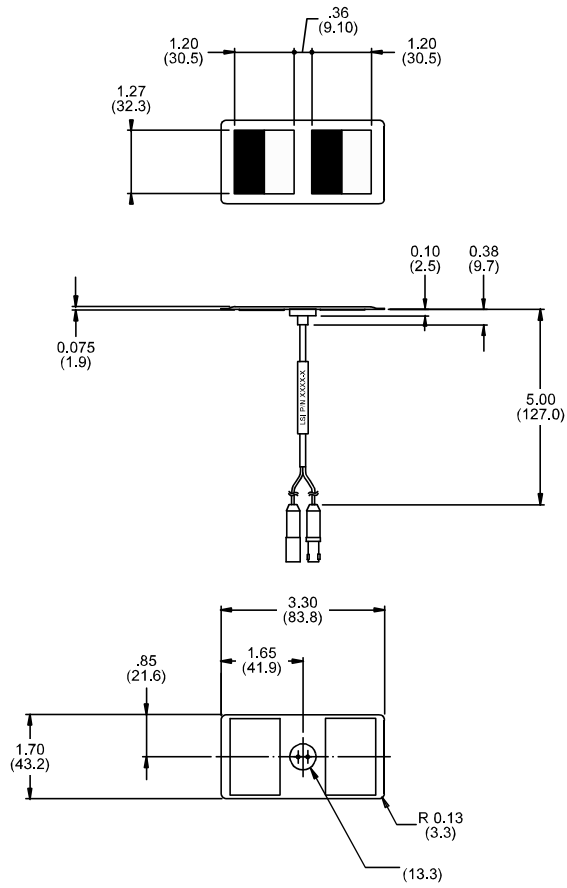


Figure 10011: Illustration for 7949-1 SEEL Light with Red Overlay

Luminescent Systems, Inc.
 Seat Mounted Emergency Egress Lighting FPEEPMS
 ILLUSTRATED PARTS CATALOG

7949-1	Seat Light, EL, ½ Green ½ Red, Beige Border			
	Figure N°	10011		
	Termination	5" Round Wires (22 AWG)		
	Connector(s)	1 x LSI #60184	Housing, Plug	
		1 x LSI #60185	Housing, Receptacle	
	Lit Area Size	3.0 in ²		
	Weight	0.74 oz	21 g	
	Input Voltage	115VAC	Typical	
	Input Frequency	400 Hz	Typical	
	Input Current	5.0 mA Max.	@115VAC/400Hz	
CMM	33-50-06			

Luminescent Systems, Inc.
 Seat Mounted Emergency Egress Lighting FPEEPMS
 ILLUSTRATED PARTS CATALOG

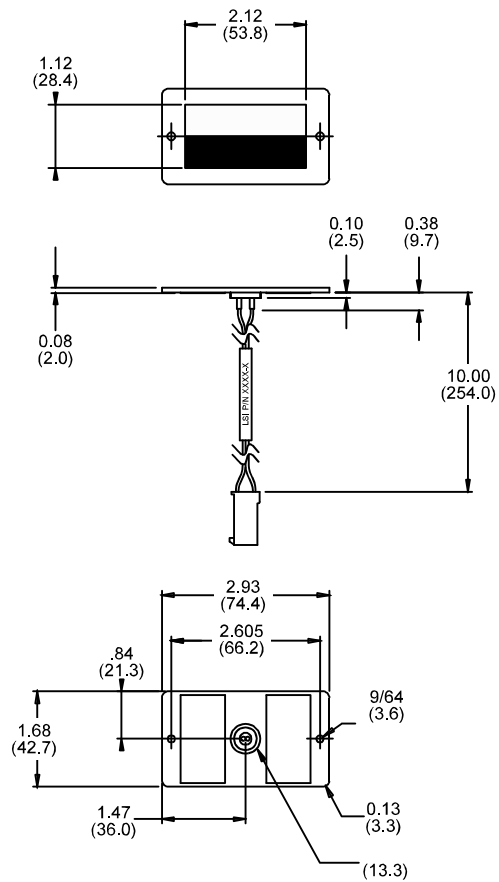


Figure 10012: Illustration for 8010-1 SEEL Light with Red Overlay

Luminescent Systems, Inc.
 Seat Mounted Emergency Egress Lighting FPEEPMS
 ILLUSTRATED PARTS CATALOG

8010-1	Seat Light, EL, ½ Green ½ Red, Clear Border		
	Figure N°	10012	
	Termination	10" Round Wires (22 AWG)	
	Connector(s)	LSI #61888	Housing, Cap
	Contacts	LSI #62048	Contact, Socket
	Lit Area Size	2.4 in²	
	Weight	0.71 oz	20 g
	Input Voltage	115VAC	Typical
	Input Frequency	400 Hz	Typical
	Input Current	4.0 mA Max.	@115VAC/400Hz
	CMM	33-50-06	

Luminescent Systems, Inc.
 Seat Mounted Emergency Egress Lighting FPEEPMS
 ILLUSTRATED PARTS CATALOG

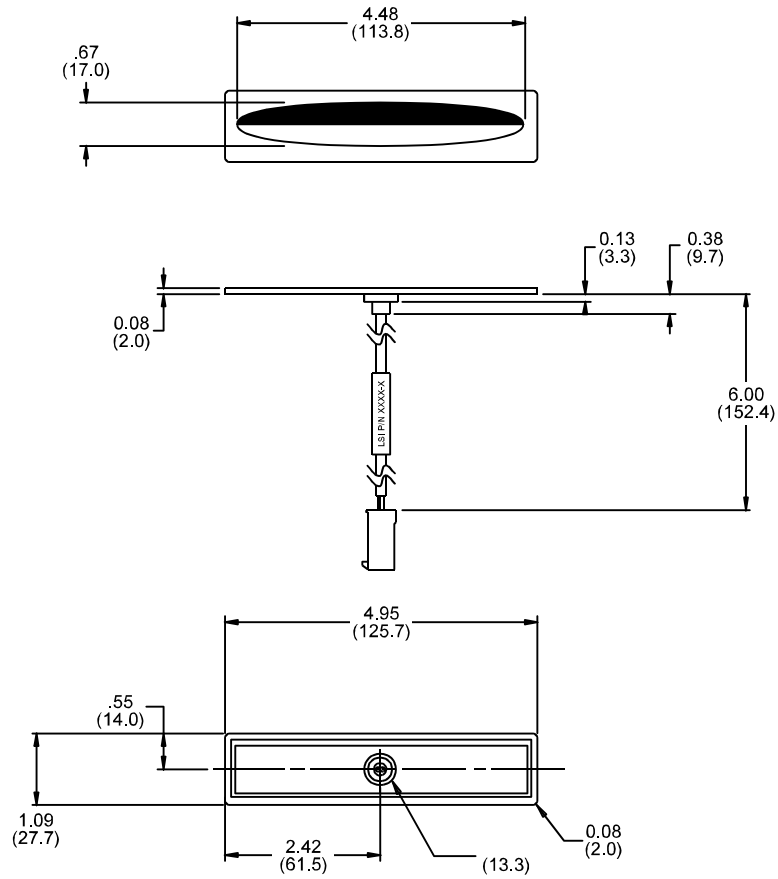


Figure 10013: Illustration for 8185-1 SEEL Light with Red Overlay

Luminescent Systems, Inc.
 Seat Mounted Emergency Egress Lighting FPEEPMS
 ILLUSTRATED PARTS CATALOG

8185-1	Seat Light, EL, ½ Green ½ Red, Clear Border		
	Figure N°	10013	
	Termination	6" Round Wires (22 AWG)	
	Connector(s)	LSI #61888	Housing, Cap
	Contacts	LSI #62048	Contact, Socket
	Lit Area Size	2.75 in²	
	Weight	0.71 oz	20 g
	Input Voltage	115VAC	Typical
	Input Frequency	400 Hz	Typical
	Input Current	4.5 mA Max.	@115VAC/400Hz
	CMM	33-50-06	

Luminescent Systems, Inc.
Seat Mounted Emergency Egress Lighting FPEEPMS
ILLUSTRATED PARTS CATALOG

THIS PAGE INTENTIONALLY LEFT BLANK