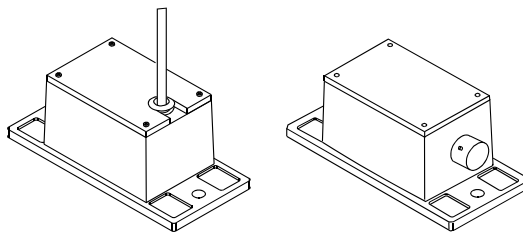


ILLUSTRATED PARTS CATALOG

Power Supplies without Battery for Emergency Egress Lighting (EEL) Systems



LUMINESCENT SYSTEMS, Inc.
4, Lucent Drive
Lebanon, NH 03766
USA

☎ 603 643 7766
Fax 603 643 5947

COPYRIGHT AND PROPRIETARY

COPYRIGHT 1999 Luminescent Systems, Inc.

All rights reserved. No part of this document may be reproduced or transmitted in any form or by any means, electronic or mechanical, including photocopying and recording, or by any information storage or retrieval system, without the express written consent of an authorized representative of the Publisher, Luminescent Systems, Inc. (LSI). All correspondence and inquiries should be directed to:

Luminescent Systems, Inc.
Attn. EEL Program Manager
4, Lucent Drive
Lebanon, NH 03766
USA

PROPRIETARY

All illustrations and information within this technical document are the proprietary property of Luminescent Systems, Inc., and shall not be used in whole or in part without the express written consent of an authorized representative of the Publisher:

Luminescent Systems, Inc.
4, Lucent Drive
Lebanon, NH 03766
USA

Luminescent Systems, Inc.
Power Supplies without Battery
ILLUSTRATED PARTS CATALOG

THIS PAGE INTENTIONALLY LEFT BLANK

Luminescent Systems, Inc.
Power Supplies without Battery
ILLUSTRATED PARTS CATALOG

HIGHLIGHTS WITH RESPECT TO REVISION N° 0

This revision is the initial release of this document.

It is to be used in combination with LSI's Floor Mounted, Seat Mounted and Photoluminescent Emergency Egress Lighting (EEL) Systems providing Floor Proximity Escape Path Marking in fixed wing aircraft in accordance with FAR/JAR and CAA regulations.

This document employs the philosophy that the power supplies are Line Replaceable Units which are not line or shop repairable, except for the batteries

This document, 33-50-04 is to be used in conjunction with the following other documents:
33-50-12 IPC, Connectors

Luminescent Systems, Inc.
Power Supplies without Battery
ILLUSTRATED PARTS CATALOG

THIS PAGE INTENTIONALLY LEFT BLANK

Luminescent Systems, Inc.
Power Supplies without Battery
ILLUSTRATED PARTS CATALOG

THIS PAGE INTENTIONALLY LEFT BLANK

Luminescent Systems, Inc.
Power Supplies without Battery
ILLUSTRATED PARTS CATALOG

THIS PAGE INTENTIONALLY LEFT BLANK

Luminescent Systems, Inc.
Power Supplies without Battery
ILLUSTRATED PARTS CATALOG

THIS PAGE INTENTIONALLY LEFT BLANK

Luminescent Systems, Inc.
Power Supplies without Battery
ILLUSTRATED PARTS CATALOG

LIST OF EFFECTIVE PAGES

PAGE	NO.	ISSUE NO.	ISSUE
-	Title	-	May 1, 1999
-	(blank)	-	May 1, 1999
CP-1	through CP-1	-	May 1, 1999
CP-2	(blank)	-	May 1, 1999
Highlights 1	through Highlights 1	-	May 1, 1999
Highlights 2	(blank)	-	May 1, 1999
ROR-1	through ROR-1	-	May 1, 1999
ROR-2	(blank)	-	May 1, 1999
RTR-1	through RTR-1	-	May 1, 1999
RTR-2	(blank)	-	May 1, 1999
SBL-1	through SBL-1	-	May 1, 1999
SBL-2	(blank)	-	May 1, 1999
LEP-1	through LEP-1	-	May 1, 1999
LEP-2	(blank)	-	May 1, 1999
TOC-1	through TOC-1	-	May 1, 1999
TOC-2	(blank)	-	May 1, 1999
LOF-1	through LOF-1	-	May 1, 1999
LOF-2	(blank)	-	May 1, 1999
LOT-1	through LOT-1	-	May 1, 1999
LOT-2	(blank)	-	May 1, 1999
1	through 9	-	May 1, 1999
10	(blank)	-	May 1, 1999
1001	through 1005	-	May 1, 1999
1006	(blank)	-	May 1, 1999
2001	through 2003	-	May 1, 1999
2004	(blank)	-	May 1, 1999
3001	through 3003	-	May 1, 1999
3004	(blank)	-	May 1, 1999
4001	through 4005	-	May 1, 1999
4006	(blank)	-	May 1, 1999
5001	through 5003	-	May 1, 1999
5004	(blank)	-	May 1, 1999
6001	through 6003	-	May 1, 1999
6004	(blank)	-	May 1, 1999
7001	through 7003	-	May 1, 1999
7004	(blank)	-	May 1, 1999
8001	through 8003	-	May 1, 1999
8004	(blank)	-	May 1, 1999
9001	through 9003	-	May 1, 1999
9004	(blank)	-	May 1, 1999
10001	through 10009	-	May 1, 1999
10010	(blank)	-	May 1, 1999

Luminescent Systems, Inc.
Power Supplies without Battery
ILLUSTRATED PARTS CATALOG

THIS PAGE INTENTIONALLY LEFT BLANK

Luminescent Systems, Inc.
Power Supplies without Battery
ILLUSTRATED PARTS CATALOG

TABLE OF CONTENTS

SUBJECT	PAGE
COPYRIGHT AND PROPRIETARY	CP-1
HIGHLIGHTS WITH RESPECT TO REVISION N° 0	HIGHLIGHTS-1
RECORD OF REVISIONS	ROR-1
RECORD OF TEMPORARY REVISIONS	RTR-1
SERVICE BULLETIN LIST	SBL-1
LIST OF EFFECTIVE PAGES	LEP-1
TABLE OF CONTENTS	LEP-1
LIST OF FIGURES	TOC-1
LIST OF TABLES	LOF-1
5867 SERIES POWER SUPPLIES	1
5867-1 Power Supply, without Battery, 6VDC in, 80VAC 400Hz out	3
5867-3 Power Supply, without Battery, 6VDC in, 80VAC 400Hz out	5
5867-4 Power Supply, without Battery, 6VDC in, 80VAC 400Hz out	7
5867-8 Power Supply, without Battery, 6VDC in, 80VAC 400Hz out	9
5925 SERIES POWER SUPPLIES	1001
5925-6 Power Supply, without Battery, 6VDC in, 100VAC 400Hz out	1003
5925-7 Power Supply, without Battery, 6VDC in, 100VAC 400Hz out	1005
5934 SERIES POWER SUPPLIES	2001
5934-1 Power Supply, without Battery, 28VDC in, 96VAC 400Hz out	2003
6169 SERIES POWER SUPPLIES	3001
6169-1 Power Supply, without Battery, 28VDC in, 112VAC 400Hz out	3003
6996 SERIES POWER SUPPLIES	4001
6996-1 Power Supply, without Battery, 28VDC in, 130VAC 450Hz out	4003
6996-2 Power Supply, without Battery, 28VDC in, 130VAC 450Hz out	4005
7754 SERIES POWER SUPPLIES	5001
7754-1 Power Supply, without Battery, 6VDC in, 130VAC 450Hz out	5003
7755 SERIES POWER SUPPLIES	6001
7755-1 Power Supply, without Battery, 28VDC in, 2x130VAC 450Hz out	6003
7756 SERIES POWER SUPPLIES	7001
7756-1 Power Supply, without Battery, 6VDC in, 2x130VAC 450Hz out	7003
7824 SERIES POWER SUPPLIES	8001
7824-1 Power Supply, without Battery, 6VDC in, 2x150VAC 550Hz out	8003
7929 SERIES POWER SUPPLIES	9001
7929-1 Power Supply, without Battery, 6VDC in, 130VAC 450Hz out	9003
POWER SUPPLY ACCESSORIES	10001
5756-2 Cover, for Power Supply, without Slot	10003
5868-1 Cover, for Power Supply, with Slot	10005
5868-2 Cover, for Power Supply, without Slot	10007
60105 Screw, for Power Supply Enclosure	10009

Luminescent Systems, Inc.
Power Supplies without Battery
ILLUSTRATED PARTS CATALOG

THIS PAGE INTENTIONALLY LEFT BLANK

Luminescent Systems, Inc.
Power Supplies without Battery
ILLUSTRATED PARTS CATALOG

LIST OF FIGURES

FIGURE N° & TITLE	PAGE
Figure 1: Illustration of P/N 5867-1	2
Figure 2: Illustration of P/N 5867-3	4
Figure 3: Illustration of P/N 5867-4	6
Figure 4: Illustration of P/N 5867-8	8
Figure 1001: Illustration of P/N 5925-6	1002
Figure 1002: Illustration of P/N 5925-7	1004
Figure 2001: Illustration of P/N 5934-1	2002
Figure 3001: Illustration of P/N 6169-1	3002
Figure 4001: Illustration of P/N 6996-1	4002
Figure 4002: Illustration of P/N 6996-2	4004
Figure 5001: Illustration of P/N 7754-1	5002
Figure 6001: Illustration of P/N 7755-1	6002
Figure 7001: Illustration of P/N 7756-1	7002
Figure 8001: Illustration of P/N 7824-1	8002
Figure 9001: Illustration of P/N 7929-1	9002
Figure 10001: Illustration of P/N 5756-2	10002
Figure 10002: Illustration of P/N 5868-1	10004
Figure 10003: Illustration of P/N 5868-2	10006

Luminescent Systems, Inc.
Power Supplies without Battery
ILLUSTRATED PARTS CATALOG

THIS PAGE INTENTIONALLY LEFT BLANK

Luminescent Systems, Inc.
Power Supplies without Battery
ILLUSTRATED PARTS CATALOG

LIST OF TABLES

TABLE N° & TITLE

PAGE

Luminescent Systems, Inc.
Power Supplies without Battery
ILLUSTRATED PARTS CATALOG

THIS PAGE INTENTIONALLY LEFT BLANK

Luminescent Systems, Inc.
Power Supplies without Battery
ILLUSTRATED PARTS CATALOG

5867 SERIES POWER SUPPLIES

Luminescent Systems, Inc.
 Power Supplies without Battery
 ILLUSTRATED PARTS CATALOG

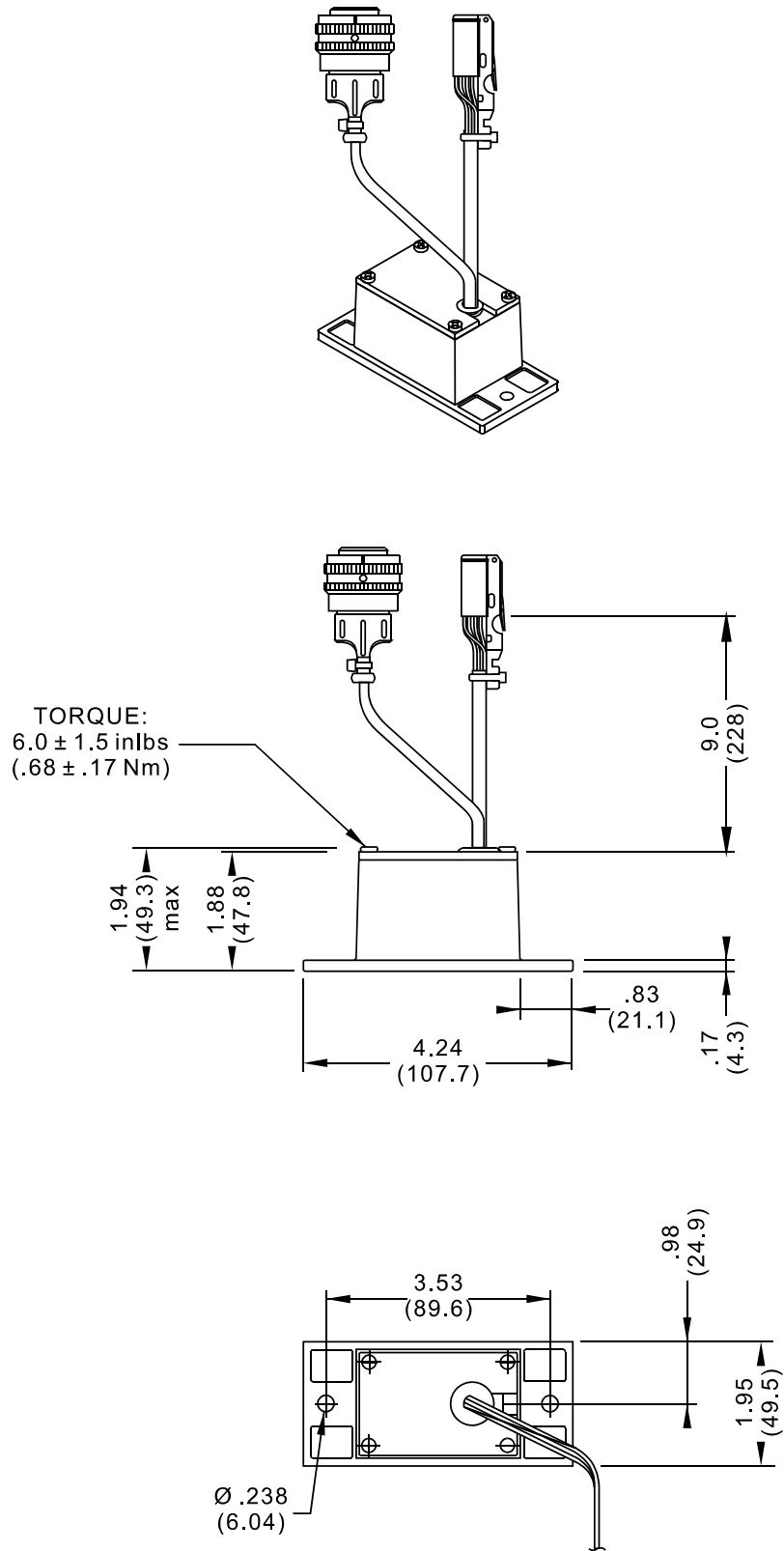


Figure 1: Illustration of P/N 5867-1

Luminescent Systems, Inc.
Power Supplies without Battery
ILLUSTRATED PARTS CATALOG

5867-1	Power Supply, without Battery, 6VDC in, 80VAC 400Hz out			
	Termination	9" Round Wires (22 AWG)		
	Connector(s)	LSI #60152 LSI #60178	Housing, Plug Housing, Plug	
	Size (HxWxD)	4.24"x1.95"x1.94"		
	Lit Area Size	6 in ² Min 28 in ² Max		
	Weight	6.28 oz	178 g	
	Input Voltage	6VDC	Typical	
	Input Current	350 mA Max.	@6VDC	
	Output Voltage	80VAC 400Hz	Nominal	
	Spare Parts	5868-1	Cover, for Power Supply, with Slot	
		60105	Screw, for Power Supply Enclosure	
	Used on	B737-300,-400,-500/B757		
	CMM	33-51-71		
	Comment			

Luminescent Systems, Inc.
 Power Supplies without Battery
 ILLUSTRATED PARTS CATALOG

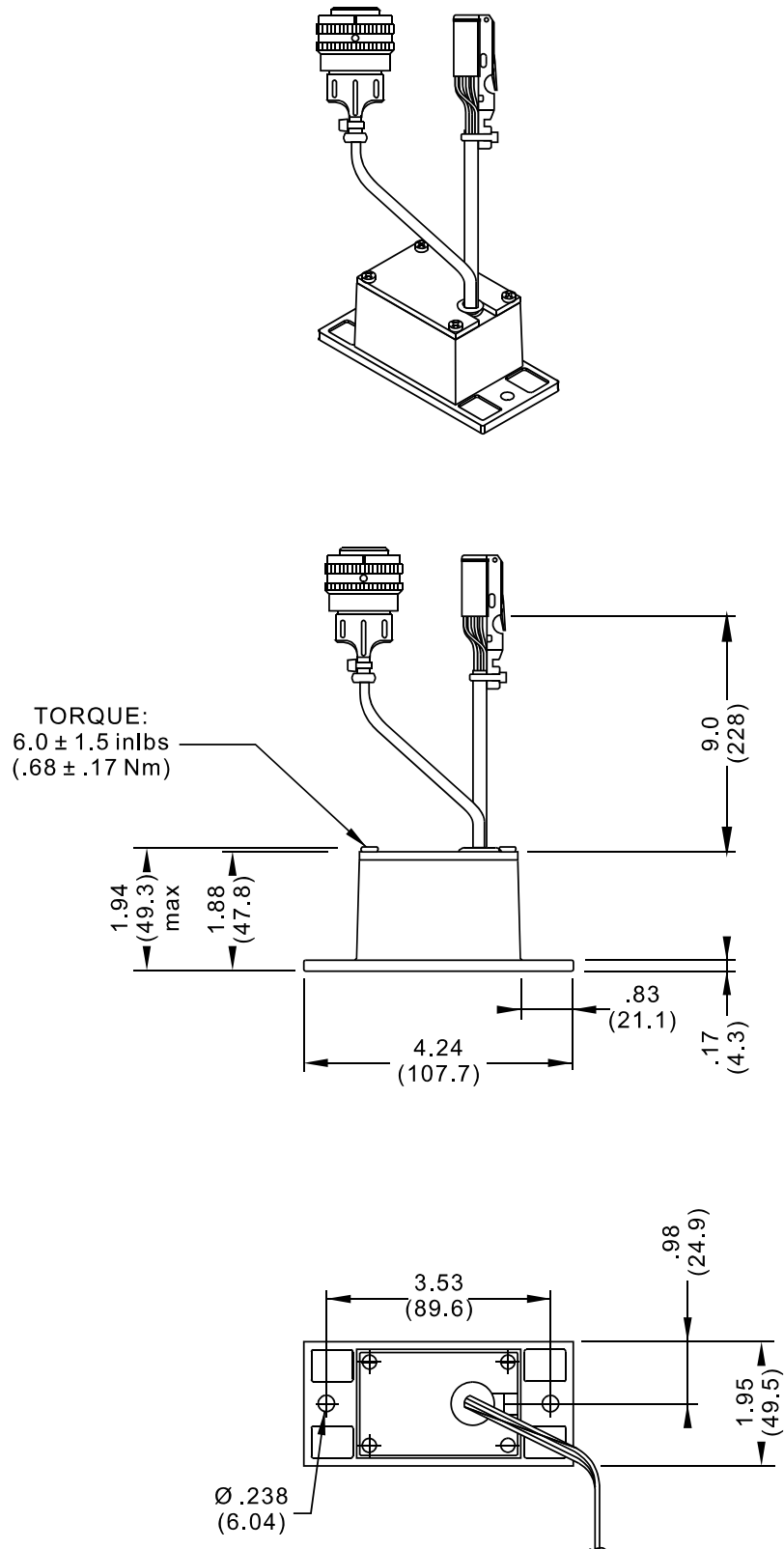


Figure 2: Illustration of P/N 5867-3

Luminescent Systems, Inc.
Power Supplies without Battery
ILLUSTRATED PARTS CATALOG

5867-3	Power Supply, without Battery, 6VDC in, 80VAC 400Hz out			
	Termination	9" Round Wires (22 AWG)		
	Connector(s)	LSI #60152 LSI #60178	Housing, Plug Housing, Plug	
	Size (HxWxD)	4.24"x1.95"x1.94"		
	Lit Area Size	6 in ² Min 28 in ² Max		
	Weight	6.28 oz	178 g	
	Input Voltage	6VDC	Typical	
	Input Current	350 mA Max.	@6VDC	
	Output Voltage	80VAC 400Hz	Nominal	
	Spare Parts	5868-1	Cover, for Power Supply, with Slot	
		60105	Screw, for Power Supply Enclosure	
	Used on	B737-300,-400,-500/B757		
	CMM	33-51-73		
	Comment			

Luminescent Systems, Inc.
 Power Supplies without Battery
 ILLUSTRATED PARTS CATALOG

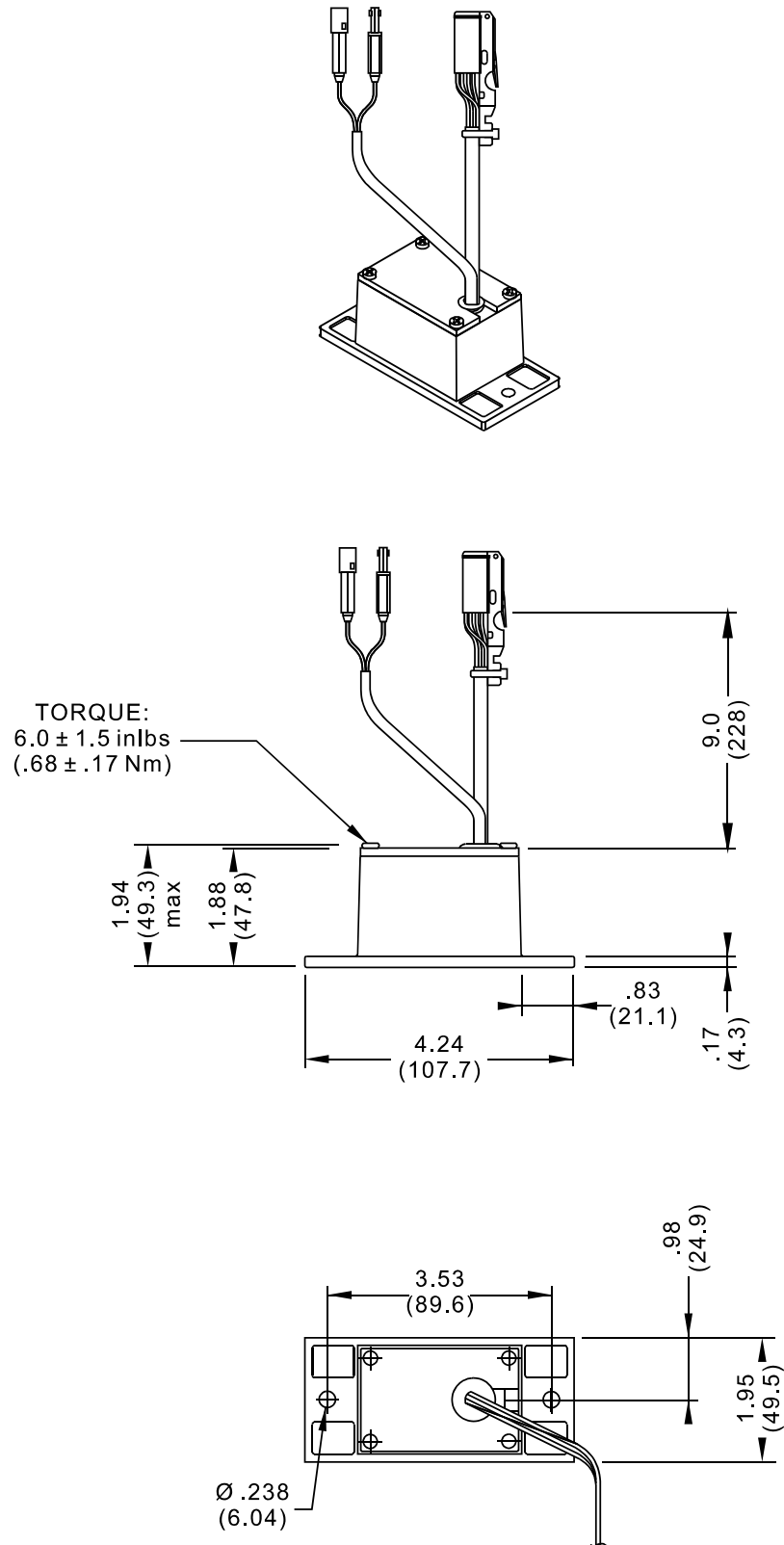
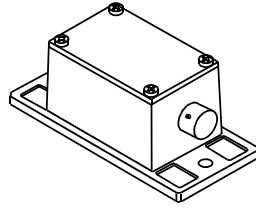


Figure 3: Illustration of P/N 5867-4

Luminescent Systems, Inc.
Power Supplies without Battery
ILLUSTRATED PARTS CATALOG

5867-4	Power Supply, without Battery, 6VDC in, 80VAC 400Hz out			
	Termination	9" Round Wires (22 AWG)		
	Connector(s)	LSI #60152 LSI #60184 LSI #60185	Housing, Plug Housing, Plug, Jiffy Housing, Receptacle, Jiffy	
	Size (HxWxD)	4.24"x1.95"x1.94"		
	Lit Area Size	6 in ² Min 28 in ² Max		
	Weight	5.86 oz	166 g	
	Input Voltage	6VDC	Typical	
	Input Current	350 mA Max.	@6VDC	
	Output Voltage	80VAC 400Hz	Nominal	
	Spare Parts	5868-1	Cover, for Power Supply, with Slot	
		60105	Screw, for Power Supply Enclosure	
	Used on	B737-300,-400,-500/B757		
	CMM	33-51-82		
	Comment			

Luminescent Systems, Inc.
Power Supplies without Battery
ILLUSTRATED PARTS CATALOG



TORQUE:
 6.0 ± 1.5 in/lbs
 $(.68 \pm .17$ Nm)

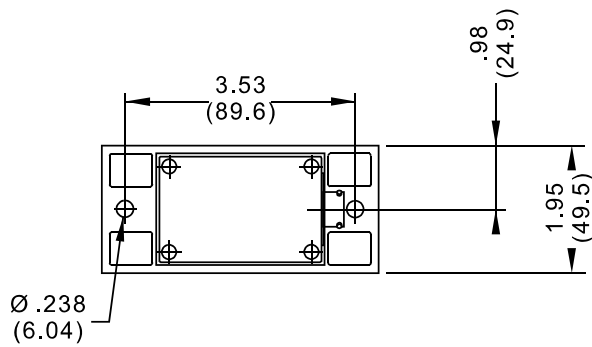
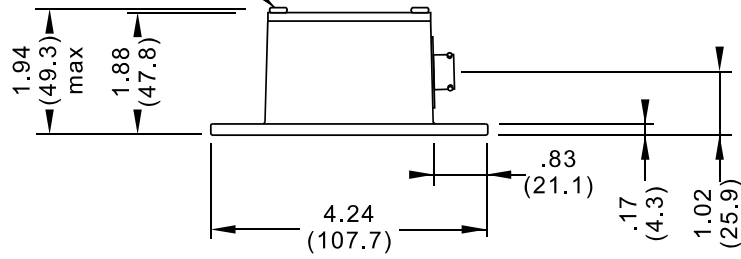


Figure 4: Illustration of P/N 5867-8

Luminescent Systems, Inc.
Power Supplies without Battery
ILLUSTRATED PARTS CATALOG

5867-8	Power Supply, without Battery, 6VDC in, 80VAC 400Hz out			
	Connector(s)	LSI #60250	Housing, Receptacle, Box Mount	
	Size (HxWxD)	4.24"x1.95"x1.94"		
	Lit Area Size	6 in ² Min 28 in ² Max		
	Weight	6.28 oz	178 g	
	Input Voltage	6VDC	Typical	
	Input Current	350 mA Max.	@6VDC	
	Output Voltage	80VAC 400Hz	Nominal	
	Spare Parts	5868-2	Cover, for Power Supply	
		60105	Screw, for Power Supply Enclosure	
	Used on	B737-500/B747-400 (Upper Deck)/F-50		
	CMM	33-51-79		
	Comment			

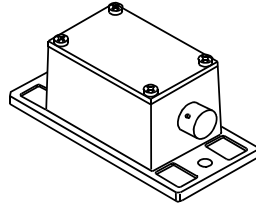
Luminescent Systems, Inc.
Power Supplies without Battery
ILLUSTRATED PARTS CATALOG

THIS PAGE INTENTIONALLY LEFT BLANK

Luminescent Systems, Inc.
Power Supplies without Battery
ILLUSTRATED PARTS CATALOG

5925 SERIES POWER SUPPLIES

Luminescent Systems, Inc.
Power Supplies without Battery
ILLUSTRATED PARTS CATALOG



TORQUE:
 6.0 ± 1.5 in/lbs
 $(.68 \pm .17$ Nm)

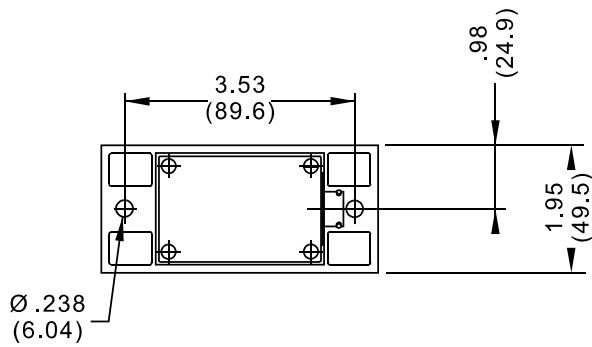
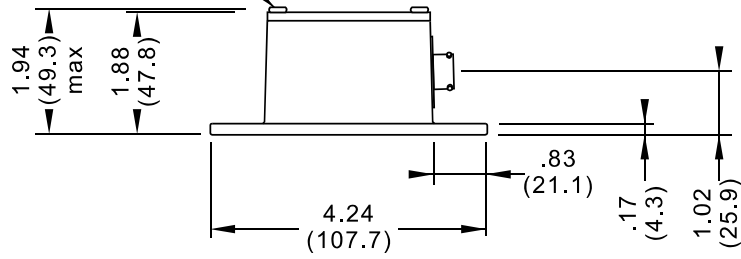
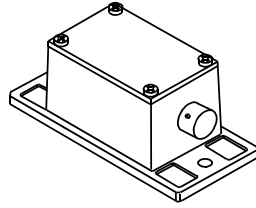


Figure 1001: Illustration of P/N 5925-6

Luminescent Systems, Inc.
Power Supplies without Battery
ILLUSTRATED PARTS CATALOG

5925-6	Power Supply, without Battery, 6VDC in, 100VAC 400Hz out			
	Connector(s)	LSI #60250	Housing, Receptacle, Box Mount	
	Size (HxWxD)	4.24"x1.95"x1.94"		
	Lit Area Size	12 in ² Min 40 in ² Max		
	Weight	6.28 oz	178 g	
	Input Voltage	6VDC	Typical	
	Input Current	800 mA Max.	@6VDC	
	Output Voltage	100VAC 400Hz	Nominal	
	Spare Parts	5868-2	Cover, for Power Supply	
		60105	Screw, for Power Supply Enclosure	
	Used on	B737-300,-400/B747-400 (Lower Deck)/A320/F-100/CL601		
	CMM	33-51-80		
	Comment			

Luminescent Systems, Inc.
Power Supplies without Battery
ILLUSTRATED PARTS CATALOG



TORQUE:
 6.0 ± 1.5 in/lbs
 $(.68 \pm .17$ Nm)

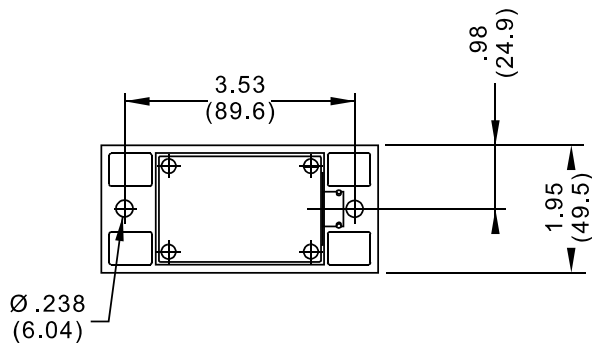
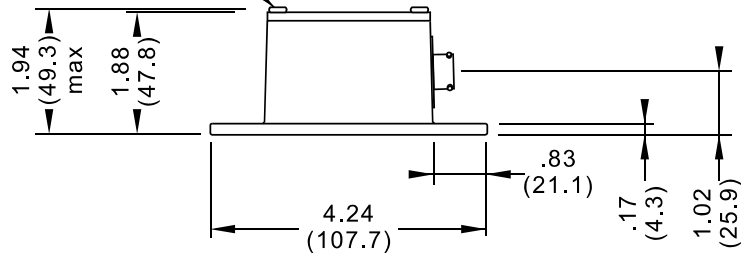


Figure 1002: Illustration of P/N 5925-7

Luminescent Systems, Inc.
Power Supplies without Battery
ILLUSTRATED PARTS CATALOG

5925-7	Power Supply, without Battery, 6VDC in, 100VAC 400Hz out			
	Connector(s)	LSI #60250	Housing, Receptacle, Box Mount	
	Size (HxWxD)	4.24"x1.95"x1.94"		
	Lit Area Size	12 in ² Min 40 in ² Max		
	Weight	6.28 oz	178 g	
	Input Voltage	6VDC	Typical	
	Input Current	800 mA Max.	@6VDC	
	Output Voltage	100VAC 400Hz	Nominal	
	Spare Parts	5868-2	Cover, for Power Supply	
		60105	Screw, for Power Supply Enclosure	
	Used on	B737-300,-400/B747-400 (Lower Deck)/A320/F-100/CL601		
	CMM	33-51-78		
	Comment			

Luminescent Systems, Inc.
Power Supplies without Battery
ILLUSTRATED PARTS CATALOG

THIS PAGE INTENTIONALLY LEFT BLANK

Luminescent Systems, Inc.
Power Supplies without Battery
ILLUSTRATED PARTS CATALOG

5934 SERIES POWER SUPPLIES

Luminescent Systems, Inc.
 Power Supplies without Battery
 ILLUSTRATED PARTS CATALOG

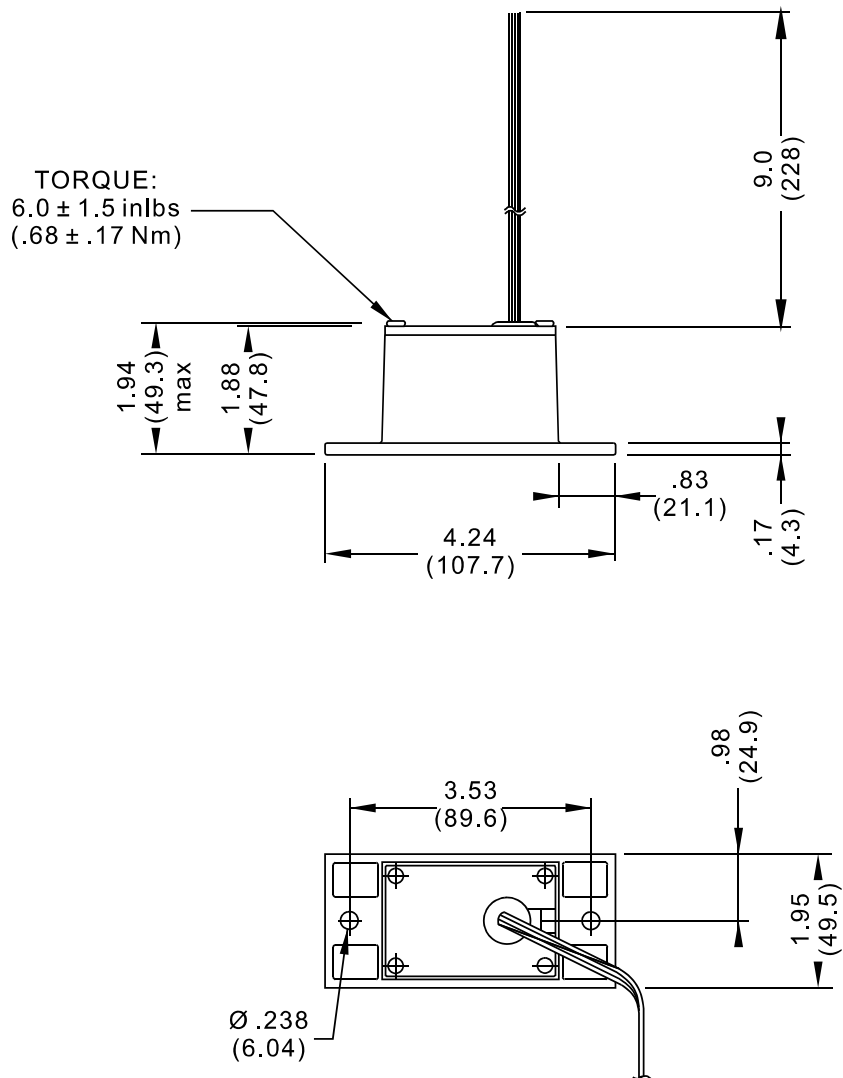
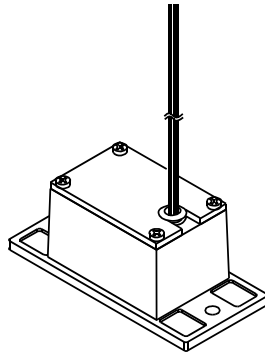


Figure 2001: Illustration of P/N 5934-1

Luminescent Systems, Inc.
Power Supplies without Battery
ILLUSTRATED PARTS CATALOG

5934-1	Power Supply, without Battery, 28VDC in, 96VAC 400Hz out			
	Termination	9" Round Wires (22 AWG)		
	Size (HxWxD)	4.24"x1.95"x1.94"		
	Lit Area Size	6 in ² Min 28 in ² Max		
	Weight	6.11 oz	173.3 g	
	Input Voltage	28VDC	Typical	
	Input Current	107 mA Max.	@28VDC	
	Output Voltage	96VAC 400Hz	Nominal	
	Spare Parts	5868-1	Cover, for Power Supply, with Slot	
		60105	Screw, for Power Supply Enclosure	
	Used on	SD3-30/SD3-60		
	CMM	33-51-83		
	Comment			

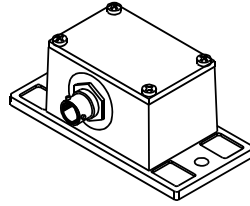
Luminescent Systems, Inc.
Power Supplies without Battery
ILLUSTRATED PARTS CATALOG

THIS PAGE INTENTIONALLY LEFT BLANK

Luminescent Systems, Inc.
Power Supplies without Battery
ILLUSTRATED PARTS CATALOG

6169 SERIES POWER SUPPLIES

Luminescent Systems, Inc.
Power Supplies without Battery
ILLUSTRATED PARTS CATALOG



TORQUE:
 6.0 ± 1.5 in/lbs
 $(.68 \pm .17$ Nm)

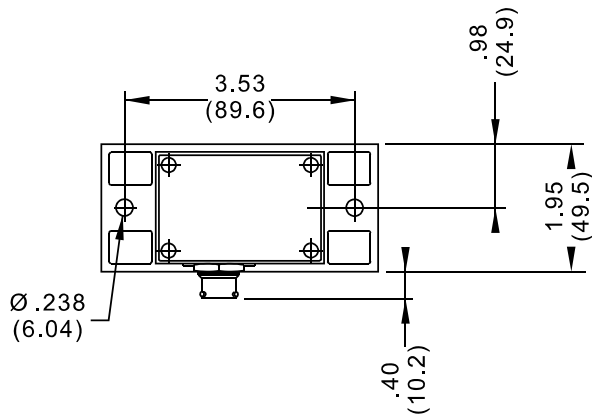
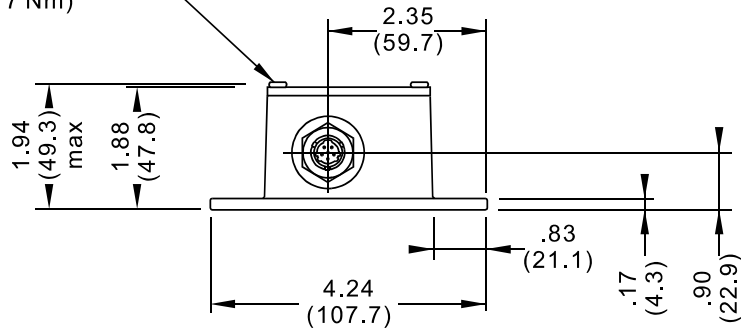


Figure 3001: Illustration of P/N 6169-1

Luminescent Systems, Inc.
Power Supplies without Battery
ILLUSTRATED PARTS CATALOG

6169-1	Power Supply, without Battery, 28VDC in, 112VAC 400Hz out			
	Connector(s)	LSI #60629	Housing, Receptacle, Box Mount	
	Size (HxWxD)	4.24"x1.95"x1.94"		
	Lit Area Size	12 in ² Min 40 in ² Max		
	Weight	5.36 oz	152 g	
	Input Voltage	28VDC	Typical	
	Input Current	150 mA Max.	@28VDC	
	Output Voltage	112VAC 400Hz	Nominal	
	Spare Parts	5868-2	Cover, for Power Supply	
		60105	Screw, for Power Supply Enclosure	
	Used on	MD-11		
	CMM	33-51-85		
	Comment			

Luminescent Systems, Inc.
Power Supplies without Battery
ILLUSTRATED PARTS CATALOG

THIS PAGE INTENTIONALLY LEFT BLANK

Luminescent Systems, Inc.
Power Supplies without Battery
ILLUSTRATED PARTS CATALOG

6996 SERIES POWER SUPPLIES

Luminescent Systems, Inc.
Power Supplies without Battery
ILLUSTRATED PARTS CATALOG

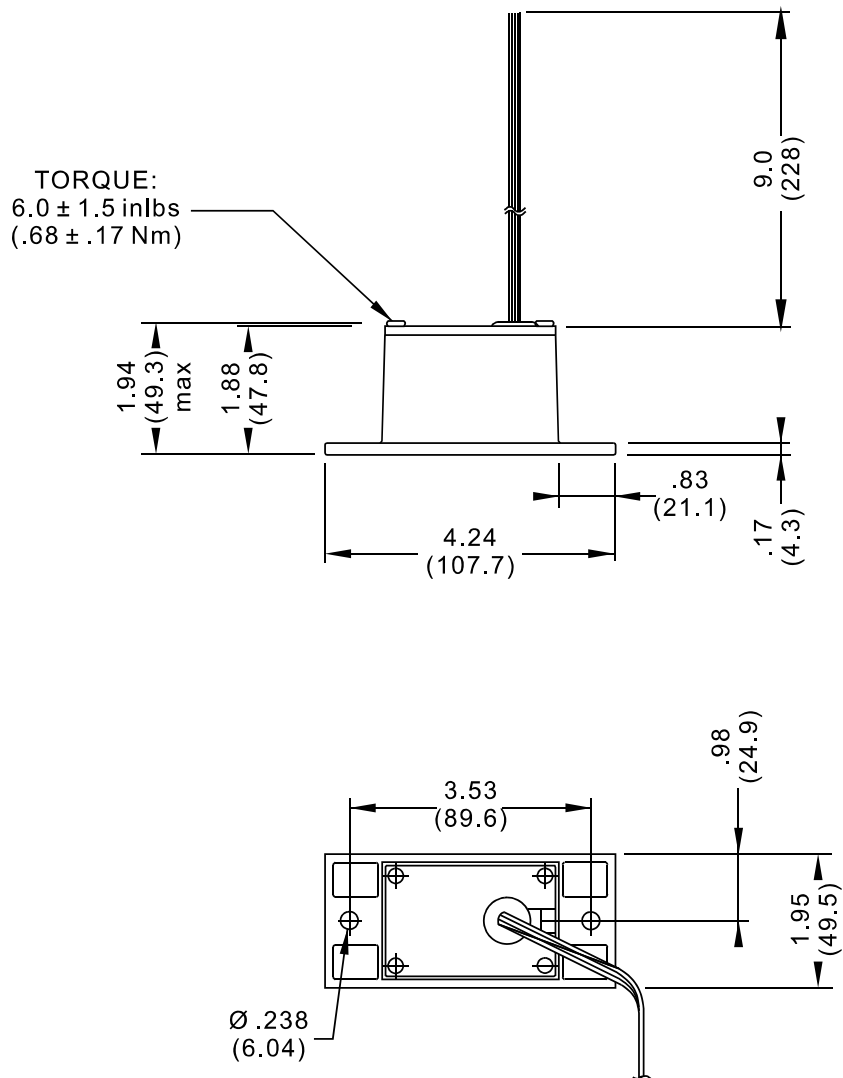
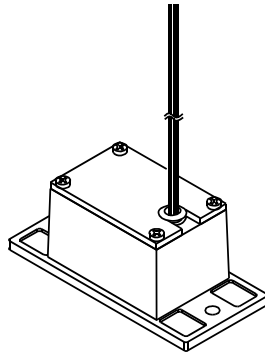
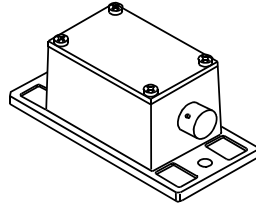


Figure 4001: Illustration of P/N 6996-1

Luminescent Systems, Inc.
 Power Supplies without Battery
 ILLUSTRATED PARTS CATALOG

6996-1	Power Supply, without Battery, 28VDC in, 130VAC 450Hz out			
	Termination	9" Round Wires (22 AWG)		
	Size (HxWxD)	4.24"x1.95"x1.94"		
	Lit Area Size	12 in ² Min 40 in ² Max		
	Weight	6.11 oz	173 g	
	Input Voltage	28VDC	Typical	
	Input Current	180 mA Max.	@28VDC	
	Output Voltage	130VAC 450Hz	Nominal	
	Spare Parts	5868-1	Cover, for Power Supply, with Slot	
		60105	Screw, for Power Supply Enclosure	
	Used on			
	CMM	33-51-94		
	Comment			

Luminescent Systems, Inc.
Power Supplies without Battery
ILLUSTRATED PARTS CATALOG



TORQUE:
 6.0 ± 1.5 in/lbs
 $(.68 \pm .17$ Nm)

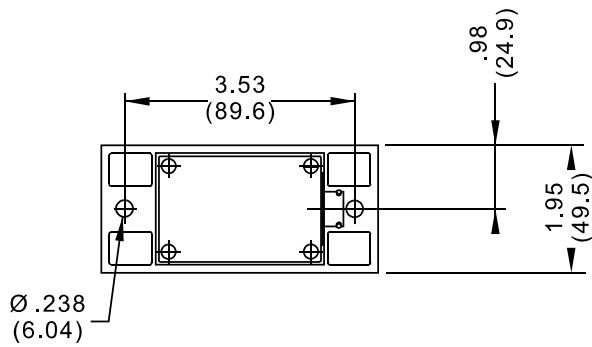
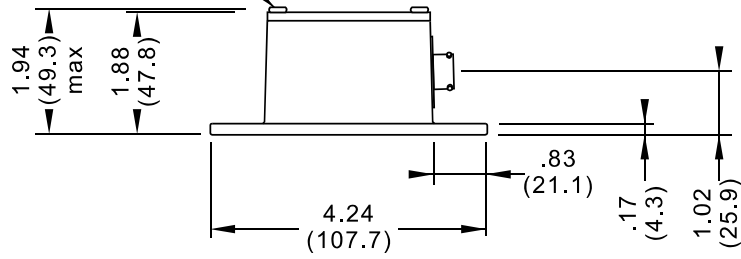


Figure 4002: Illustration of P/N 6996-2

Luminescent Systems, Inc.
Power Supplies without Battery
ILLUSTRATED PARTS CATALOG

6996-2	Power Supply, without Battery, 28VDC in, 130VAC 450Hz out			
	Connector(s)	LSI #60250	Housing, Receptacle, Box Mount	
	Size (HxWxD)	4.24"x1.95"x1.94"		
	Lit Area Size	12 in ² Min 40 in ² Max		
	Weight	6.11 oz	173.3 g	
	Input Voltage	28VDC	Typical	
	Input Current	180 mA Max.	@28VDC	
	Output Voltage	130VAC 450Hz	Nominal	
	Spare Parts	5868-2	Cover, for Power Supply	
		60105	Screw, for Power Supply Enclosure	
	Used on			
	CMM	33-51-94		
	Comment			

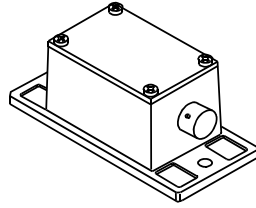
Luminescent Systems, Inc.
Power Supplies without Battery
ILLUSTRATED PARTS CATALOG

THIS PAGE INTENTIONALLY LEFT BLANK

Luminescent Systems, Inc.
Power Supplies without Battery
ILLUSTRATED PARTS CATALOG

7754 SERIES POWER SUPPLIES

Luminescent Systems, Inc.
Power Supplies without Battery
ILLUSTRATED PARTS CATALOG



TORQUE:
 6.0 ± 1.5 in/lbs
 $(.68 \pm .17$ Nm)

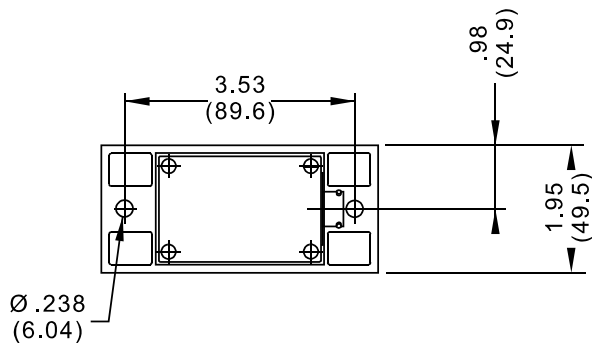
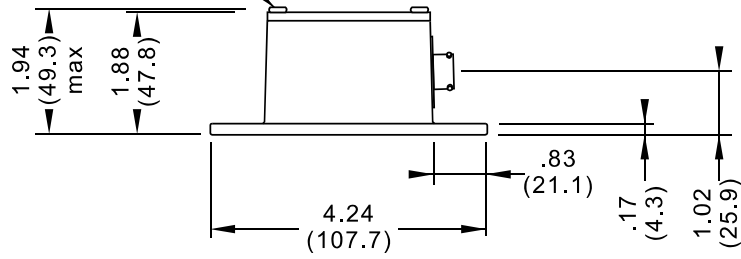


Figure 5001: Illustration of P/N 7754-1

Luminescent Systems, Inc.
 Power Supplies without Battery
 ILLUSTRATED PARTS CATALOG

7754-1	Power Supply, without Battery, 6VDC in, 130VAC 450Hz out			
	Connector(s)	LSI #60250	Housing, Receptacle, Box Mount	
	Size (HxWxD)	4.24"x1.95"x1.94"		
	Lit Area Size	12 in ² Min 40 in ² Max		
	Weight	6.11 oz	173.3 g	
	Input Voltage	6VDC	Typical	
	Input Current	820 mA Max.	@28VDC	
	Output Voltage	130VAC 450 Hz	Nominal	
	Spare Parts	5868-2	Cover, for Power Supply	
		60105	Screw, for Power Supply Enclosure	
	Used on			
	CMM	33-51-96		
	Comment			

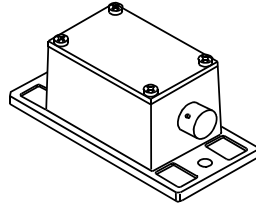
Luminescent Systems, Inc.
Power Supplies without Battery
ILLUSTRATED PARTS CATALOG

THIS PAGE INTENTIONALLY LEFT BLANK

Luminescent Systems, Inc.
Power Supplies without Battery
ILLUSTRATED PARTS CATALOG

7755 SERIES POWER SUPPLIES

Luminescent Systems, Inc.
Power Supplies without Battery
ILLUSTRATED PARTS CATALOG



TORQUE:
 6.0 ± 1.5 in/lbs
 $(.68 \pm .17$ Nm)

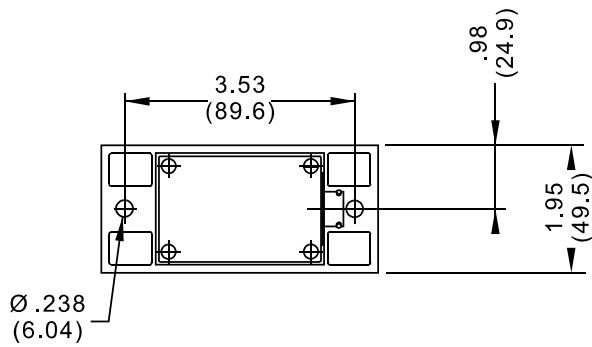
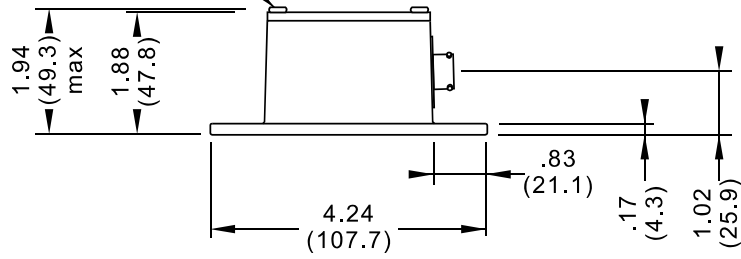


Figure 6001: Illustration of P/N 7755-1

Luminescent Systems, Inc.
Power Supplies without Battery
ILLUSTRATED PARTS CATALOG

7755-1	Power Supply, without Battery, 28VDC in, 2x130VAC 450Hz out			
	Connector(s)	LSI #61860	Housing, Receptacle, Box Mount	
	Size (HxWxD)	4.24"x1.95"x1.94"		
	Lit Area Size (2x)	12 in ² Min 40 in ² Max		
	Weight	6.11 oz	173.3 g	
	Input Voltage	28VDC	Typical	
	Input Current	2x250 mA Max.	@28VDC	
	Output Voltage	130VAC 450 Hz	Nominal	
	Spare Parts	5868-2	Cover, for Power Supply	
		60105	Screw, for Power Supply Enclosure	
	Used on			
	CMM	TBD		
	Comment			

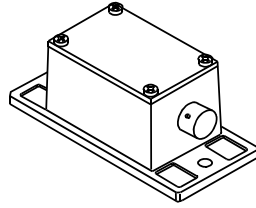
Luminescent Systems, Inc.
Power Supplies without Battery
ILLUSTRATED PARTS CATALOG

THIS PAGE INTENTIONALLY LEFT BLANK

Luminescent Systems, Inc.
Power Supplies without Battery
ILLUSTRATED PARTS CATALOG

7756 SERIES POWER SUPPLIES

Luminescent Systems, Inc.
 Power Supplies without Battery
 ILLUSTRATED PARTS CATALOG



TORQUE:
 6.0 ± 1.5 in/lbs
 $(.68 \pm .17$ Nm)

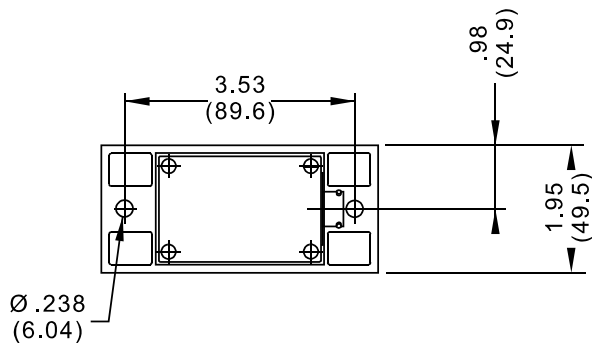
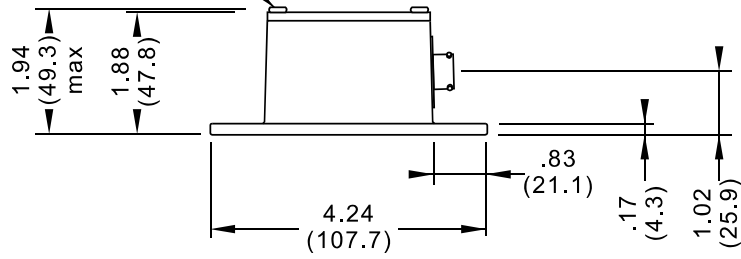


Figure 7001: Illustration of P/N 7756-1

Luminescent Systems, Inc.
 Power Supplies without Battery
 ILLUSTRATED PARTS CATALOG

7756-1	Power Supply, without Battery, 6VDC in, 2x130VAC 450Hz out			
	Connector(s)	LSI #61860	Housing, Receptacle, Box Mount	
	Size (HxWxD)	4.24"x1.95"x1.94"		
	Lit Area Size (2x)	12 in ² Min 40 in ² Max		
	Weight	6.11 oz	173.3 g	
	Input Voltage	6VDC	Typical	
	Input Current	2x820 mA Max.	@6VDC	
	Output Voltage	130VAC 450 Hz	Nominal	
	Spare Parts	5868-2	Cover, for Power Supply	
		60105	Screw, for Power Supply Enclosure	
	Used on			
	CMM	33-52-06		
	Comment			

Luminescent Systems, Inc.
Power Supplies without Battery
ILLUSTRATED PARTS CATALOG

THIS PAGE INTENTIONALLY LEFT BLANK

Luminescent Systems, Inc.
Power Supplies without Battery
ILLUSTRATED PARTS CATALOG

7824 SERIES POWER SUPPLIES

Luminescent Systems, Inc.
 Power Supplies without Battery
 ILLUSTRATED PARTS CATALOG

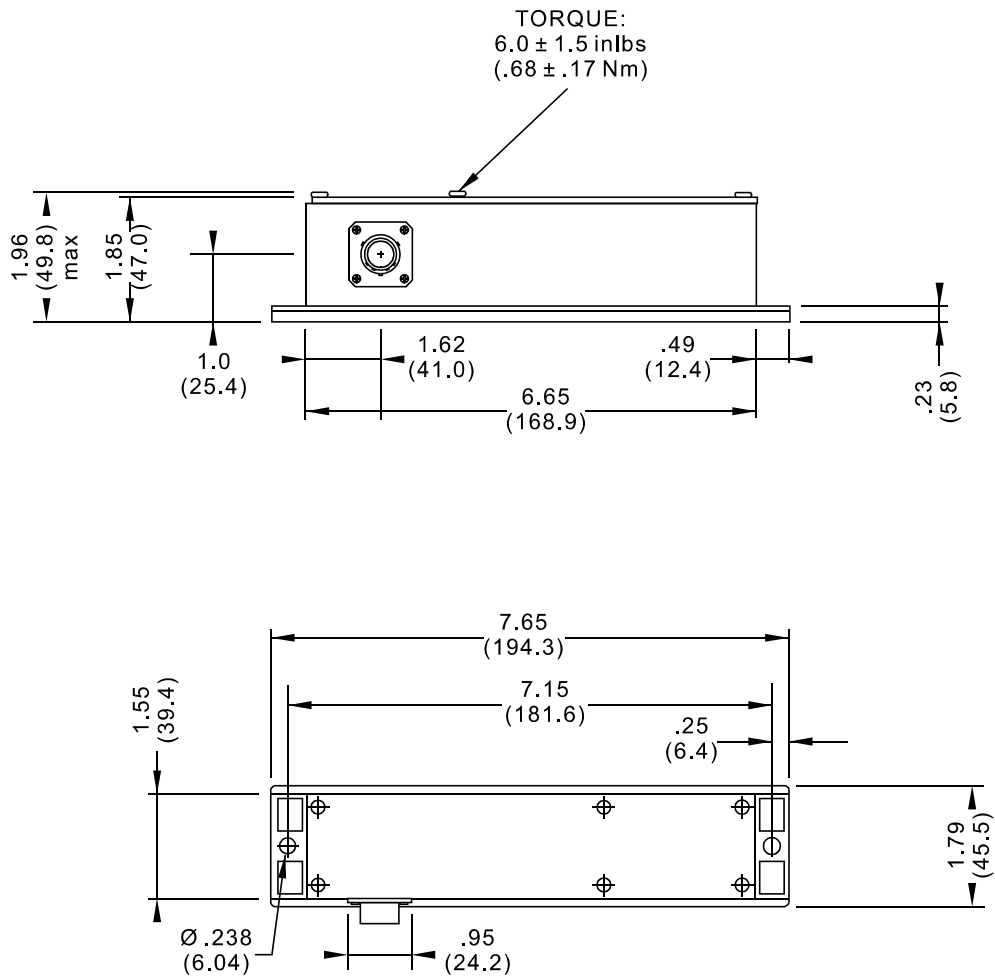
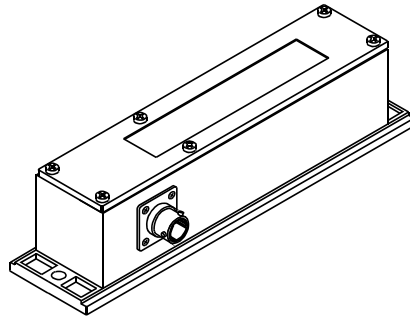


Figure 8001: Illustration of P/N 7824-1

Luminescent Systems, Inc.
Power Supplies without Battery
ILLUSTRATED PARTS CATALOG

7824-1	Power Supply, without Battery, 6VDC in, 2x150VAC 550Hz out			
	Connector(s)	LSI #61952	Housing, Receptacle, Box Mount	
	Size (HxWxD)	7.65"x1.79"x1.96"		
	Lit Area Size (2x)	12 in ² Min 50 in ² Max		
	Weight	14.11 oz	400 g	
	Input Voltage	6VDC	Typical	
	Input Current	1250 mA Max.	@6VDC	
	Output Voltage	150VAC 550 Hz	Nominal	
	Spare Parts	5756-2	Cover, for Power Supply	
		60105	Screw, for Power Supply Enclosure	
	Used on			
	CMM	33-52-04		
	Comment			

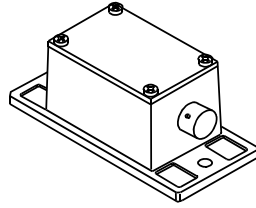
Luminescent Systems, Inc.
Power Supplies without Battery
ILLUSTRATED PARTS CATALOG

THIS PAGE INTENTIONALLY LEFT BLANK

Luminescent Systems, Inc.
Power Supplies without Battery
ILLUSTRATED PARTS CATALOG

7929 SERIES POWER SUPPLIES

Luminescent Systems, Inc.
Power Supplies without Battery
ILLUSTRATED PARTS CATALOG



TORQUE:
 6.0 ± 1.5 in/lbs
 $(.68 \pm .17$ Nm)

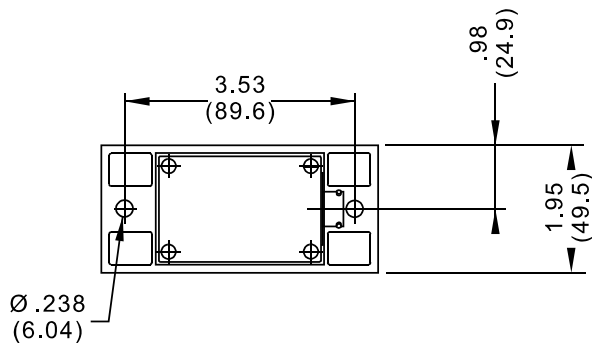
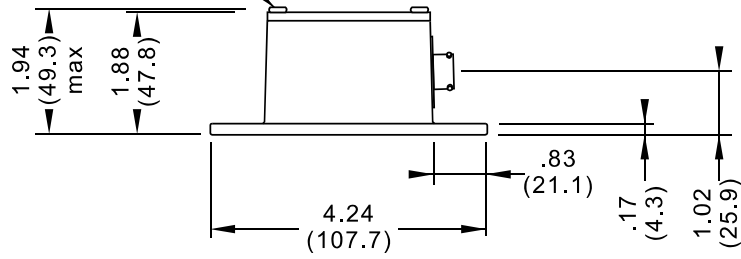


Figure 9001: Illustration of P/N 7929-1

Luminescent Systems, Inc.
Power Supplies without Battery
ILLUSTRATED PARTS CATALOG

7929-1	Power Supply, without Battery, 6VDC in, 130VAC 450Hz out			
	Connector(s)	LSI #60250	Housing, Receptacle, Box Mount	
	Size (HxWxD)	4.24"x1.95"x1.94"		
	Lit Area Size	12 in ² Min 50 in ² Max		
	Weight	8.29 oz	235 g	
	Input Voltage	6VDC	Typical	
	Input Current	820 mA Max.	@6VDC	
	Output Voltage	130VAC 450 Hz	Nominal	
	Spare Parts	5868-2	Cover, for Power Supply	
		60105	Screw, for Power Supply Enclosure	
	Used on			
	CMM	33-52-01		
	Comment			

Luminescent Systems, Inc.
Power Supplies without Battery
ILLUSTRATED PARTS CATALOG

THIS PAGE INTENTIONALLY LEFT BLANK

Luminescent Systems, Inc.
Power Supplies without Battery
ILLUSTRATED PARTS CATALOG

POWER SUPPLY ACCESSORIES

Luminescent Systems, Inc.
Power Supplies without Battery
ILLUSTRATED PARTS CATALOG

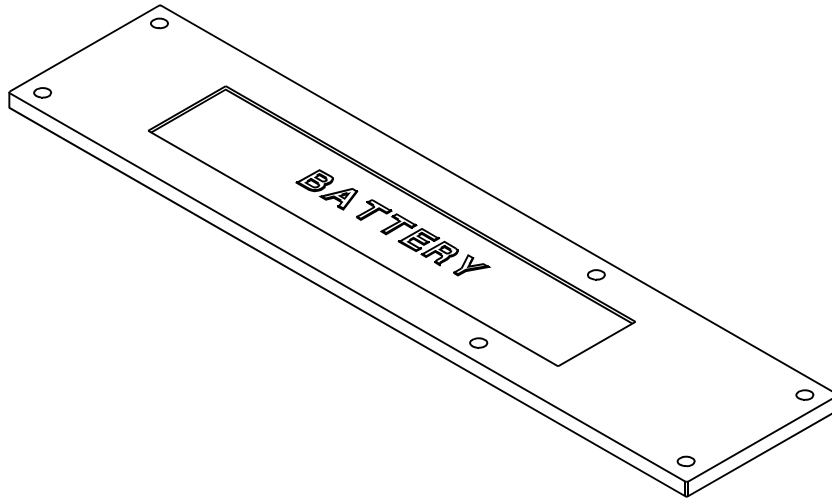


Figure 10001: Illustration of P/N 5756-2

Luminescent Systems, Inc.
 Power Supplies without Battery
 ILLUSTRATED PARTS CATALOG

5756-2	Cover, for Power Supply, without Slot		
	Material	Lexan®	
	Usable with	7824 Series	
	Size (HxW)	7.75"x1.93"	
	Weight	.88 oz	25 g
	Spare Parts	None	
	CMM	None	

Luminescent Systems, Inc.
Power Supplies without Battery
ILLUSTRATED PARTS CATALOG

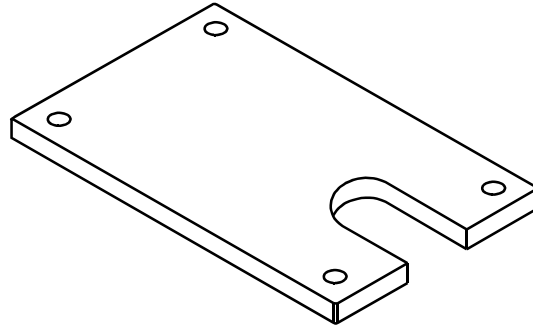


Figure 10002: Illustration of P/N 5868-1

Luminescent Systems, Inc.
 Power Supplies without Battery
 ILLUSTRATED PARTS CATALOG

5868-1	Cover, for Power Supply, with Slot		
	Material	Lexan®	
	Usable with	5867, 6996 Series	
	Size (HxW)	2.50"x1.61"	
	Weight	.60 oz	17 g
	Spare Parts	None	
	CMM	None	

Luminescent Systems, Inc.
Power Supplies without Battery
ILLUSTRATED PARTS CATALOG

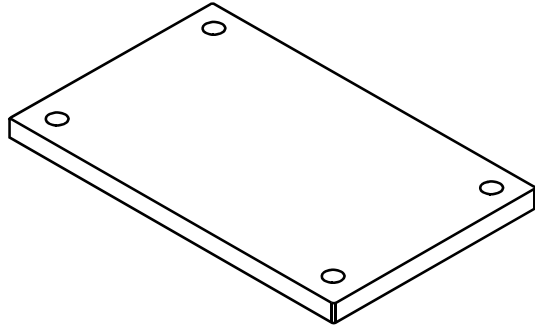


Figure 10003: Illustration of P/N 5868-2

Luminescent Systems, Inc.
 Power Supplies without Battery
 ILLUSTRATED PARTS CATALOG

5868-2	Cover, for Power Supply, without Slot		
	Material	Lexan®	
	Usable with	5867, 5925, 6169, 6996, 7754, 7755, 7756, 7929 Series	
	Size (HxW)	2.50"x1.61"	
	Weight	.60 oz	17 g
	Spare Parts	None	
	CMM	None	

Luminescent Systems, Inc.
Power Supplies without Battery
ILLUSTRATED PARTS CATALOG

THIS PAGE INTENTIONALLY LEFT BLANK

Luminescent Systems, Inc.
 Power Supplies without Battery
 ILLUSTRATED PARTS CATALOG

60105	Screw, for Power Supply Enclosure		
	Usable with	5810, 5822, 5886, 5957, 7824 Series	
	Size	4-40x3/8"	
	Weight	.04 oz	1 g
	Spare Parts	None	
	CMM	None	

Luminescent Systems, Inc.
Power Supplies without Battery
ILLUSTRATED PARTS CATALOG

THIS PAGE INTENTIONALLY LEFT BLANK